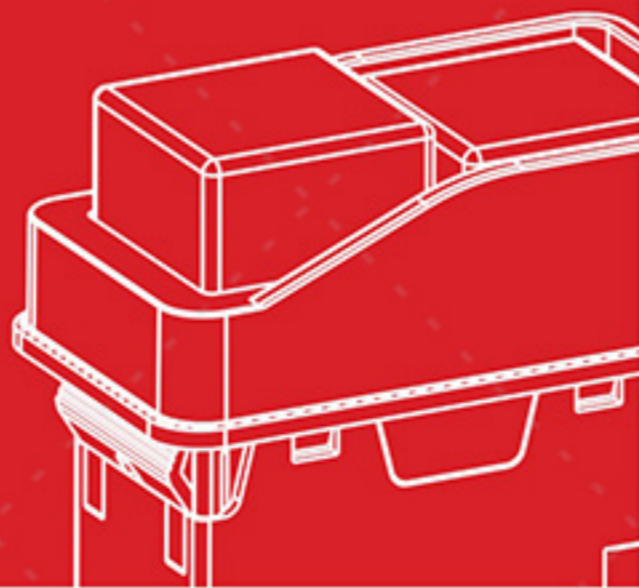


ZCKG® 众磁电气
台式工具开关
DESKTOP TOOL SWITCH



乐清市众磁电气有限公司
YUEQING ZHONGCI ELECTRIC CO.,LTD.

乐清市众磁电气有限公司是一家自主研发、设计、生产销售为一体的新兴企业。公司拥有专业的电磁类产品技术团队和符合TUV、UL测试标准的试验室。

公司专业生产工具类电磁开关、大电流跷板开关。产品已通过CQC、CB、TUV、CE等权威认证，并获得国家多项实用创新型专利。适用于各类台式电动工具如：台推拉锯、台式圆锯、切割机、无尘锯、磁力钻、套丝机、碎枝机等产品。

公司在发展过程中始终坚持：用户的需求就是我们的追求！以不断进取的技术和完善的服务质量来满足用户的需求和期望，以科技为导向、求精创新、优质取胜的经营理念，以交货及时、价格合理、重信誉赢得了市场和广大客户的支持和信赖。

期待和更多的客户精诚合作，共同为中国电动工具行业的发展和提高，携手共进，同创辉煌！

Yueqing Zhongci Electric Co., Ltd. is an emerging enterprise integrating independent research and development, design, production, and sales. The company has a professional technical team for electromagnetic products and a laboratory that complies with TUV and UL testing standards.

The company specializes in the production of tool-type electromagnetic switches and high-current toggle switches. The products have passed authoritative certifications such as CQC, CB, TUV, and CE, and have obtained multiple national utility model patents. They are suitable for various types of tabletop power tools such as table saws, circular saws, cutting machines, dust-free saws, magnetic drills, tapping machines, wood chippers, and other products.

Throughout its development, the company has always adhered to the principle: "Customer demand is our pursuit!" It strives to meet the needs and expectations of customers with continuously advancing technology and improved service quality. Guided by technology, pursuing excellence and innovation, and winning with high quality, the company has gained the trust of the market and a wide range of customers by delivering on time, offering reasonable prices, and maintaining a good reputation.

Looking forward to sincere cooperation with more customers, we aim to work together to contribute to the development and advancement of China's power tool industry. Let's join hands and create brilliance together!



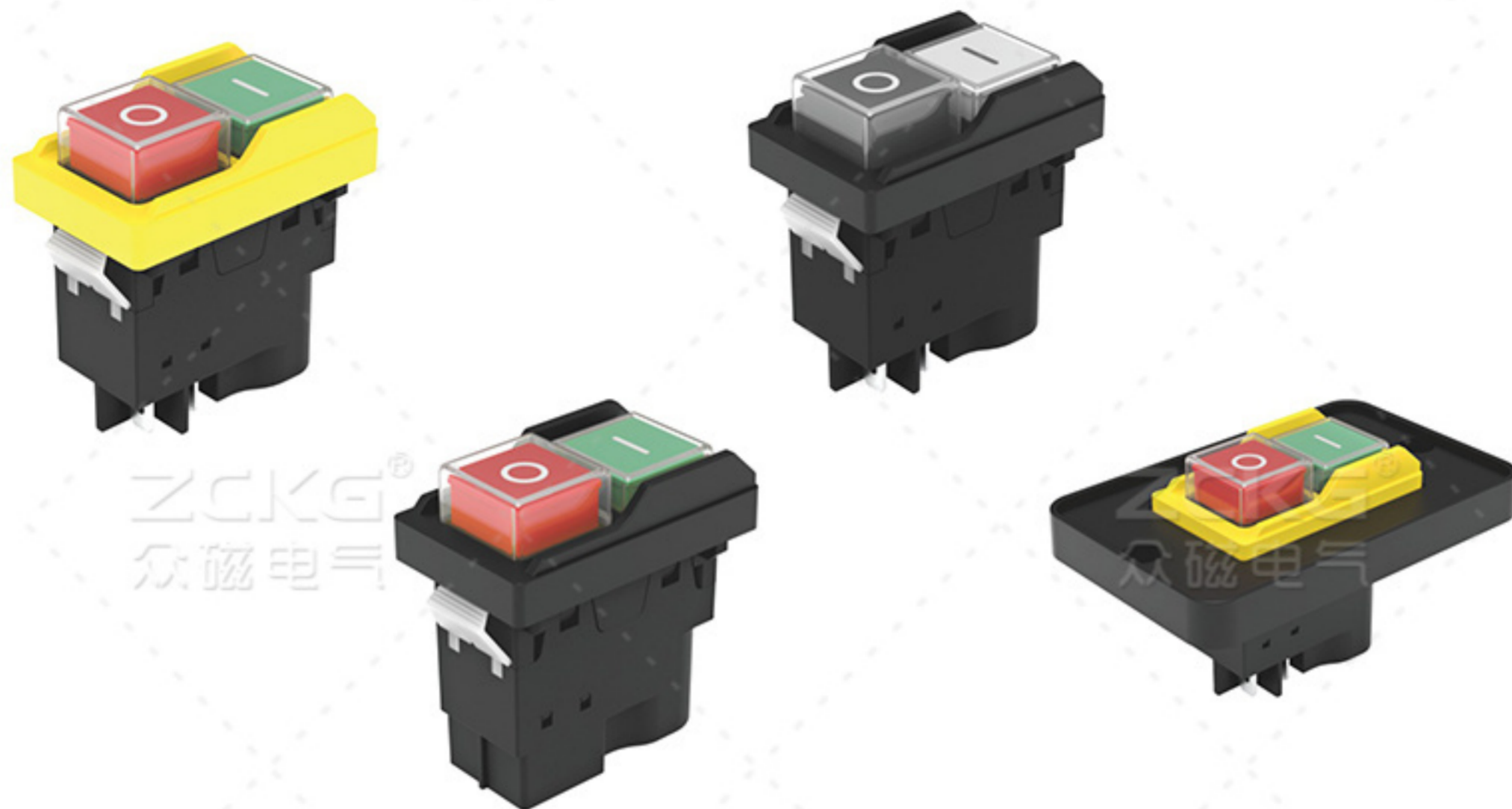
众磁电气



诚信·专业·创新

ZCD-01 ELECTROMAGNETIC SWITCH

ZCD-01电磁开关



功能

- 断电保护
- 欠压保护
- 在以上基础上可派生以下功能：
 - 1、两极全断开；
 - 2、一极断开带刹车功能；
 - 3、以上两种均可与热保护开关组合使用，即同时具备欠压保护，过载保护等。

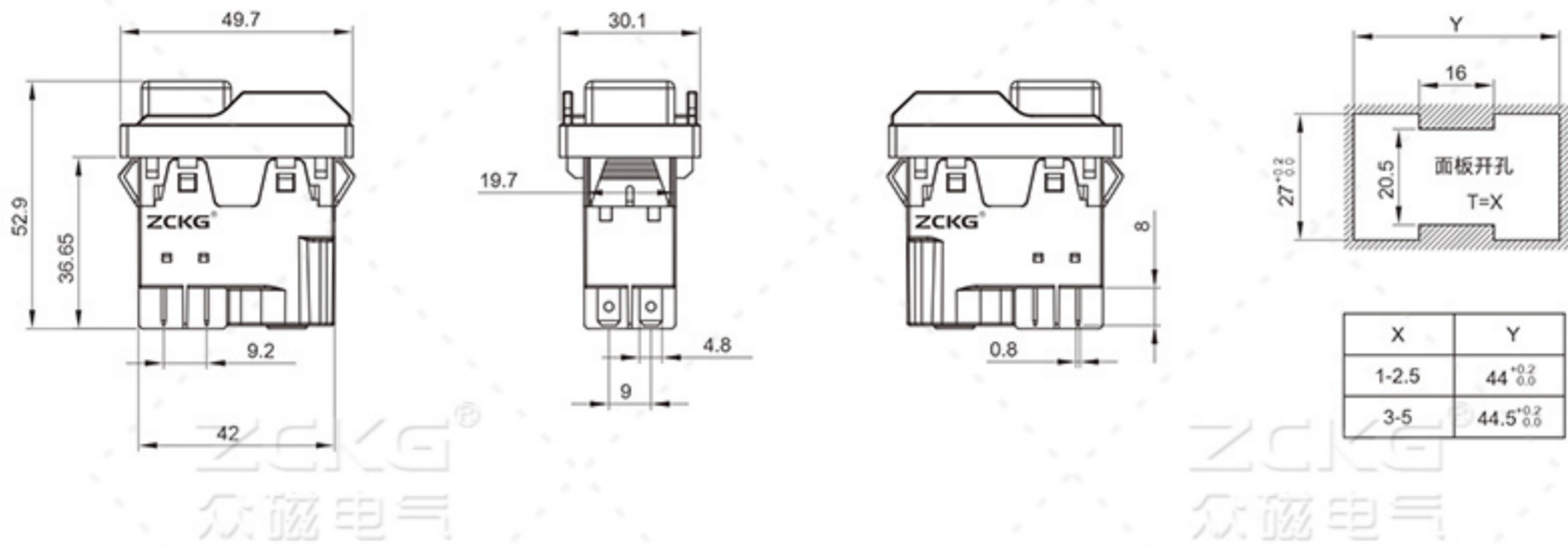
FUNCTIONS

- Power failure protection
- Under-voltage protection
- Based on the above, the following functions can be derived:
 1. Both poles completely disconnected.
 2. One pole disconnected with braking function.
 3. Both of the above can be combined with a thermal protection switch, thus providing under-voltage protection, overload protection, etc., simultaneously.

电压参数 VOLTAGE PARAMETERS

Certification and standard 认证、标准	TUV、CE	TUV、CE		UL、CUL	
Rated voltage 额定电压	250V AC	125V AC	250V AC	120V AC	250V AC
Rated current 额定电流	12(8)A	AC-3: 12A、10A		16(10)A	12(8)A
Voltage 电压	100V-120V、220-250V				
Frequency of use 使用频率	50Hz/60Hz				
Degree of protection 防护等级	IP55				
Appliance lifespan 电器寿命	≥50000次				
Operating temperature 使用温度	T85/55				

参考尺寸 REFERENCE DIMENSION

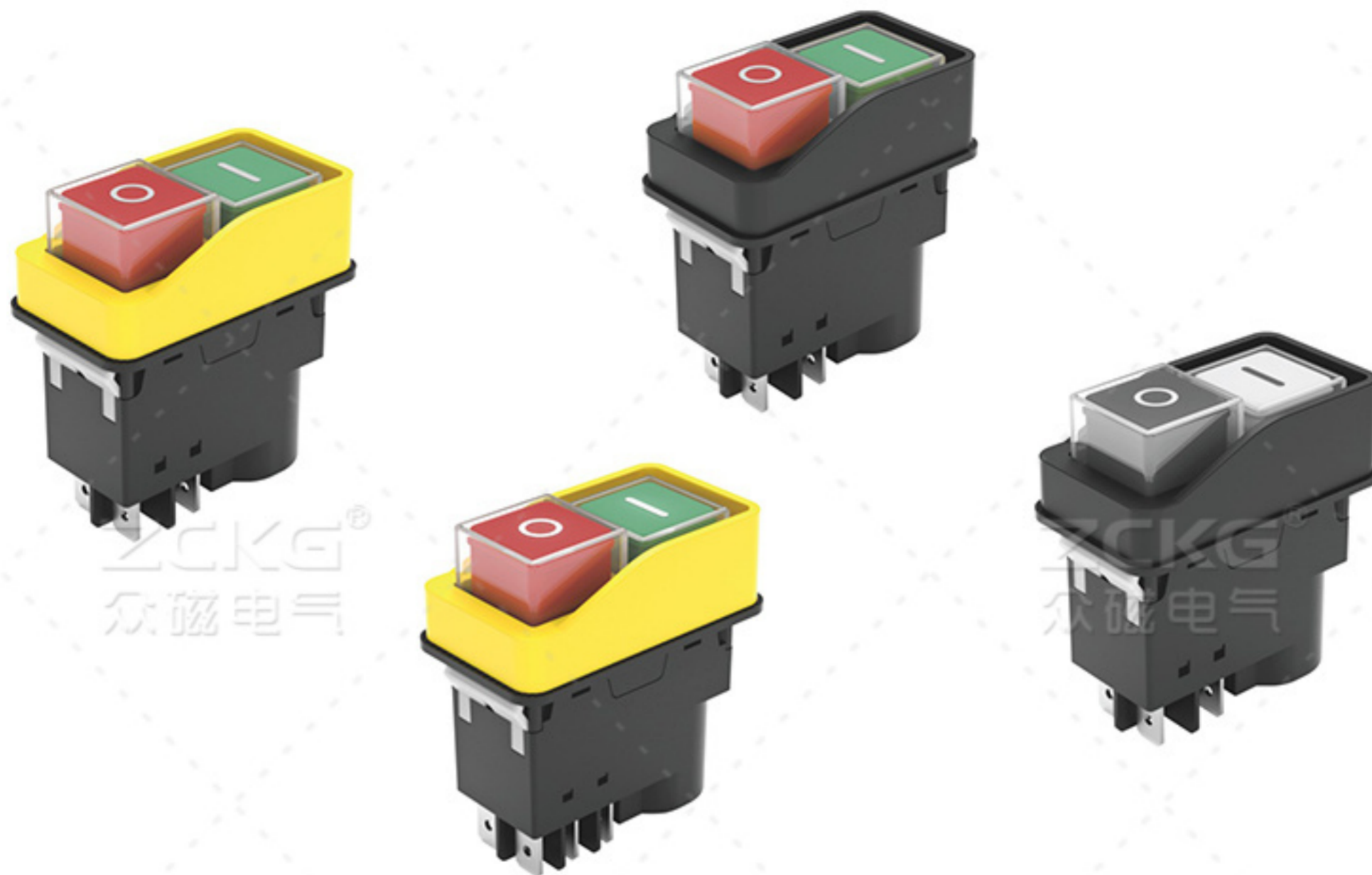


订货选项 ORDERING OPTIONS

系列号 Serial number	电路图 Circuit diagram	线圈电压 Coil voltage	外框颜色 Frame color	按钮颜色标识 Button color indication	附件 Attachments
ZCD-01	F1 	V1: 220-250V AC 50Hz/60Hz V2: 100-125V AC 50Hz/60Hz V3: 12V-24V DC V4: 36V-48V DC	B 黑 Black	M1 M2 M3 M4 M5 M6 M7 M8 M9 M10 M11 M12 M13 客户定制 Customization for customers	W1 G1
	A 	壳体类型 Circuit diagram	Y 黄 Yellow		
	B 				

ZCD-02 ELECTROMAGNETIC SWITCH

ZCD-02电磁开关



功能

- 断电保护
- 欠压保护
- 在以上基础上可派生以下功能：
 - 1、两极全断开；
 - 2、一极断开带刹车功能；
 - 3、以上两种均可与热保护开关组合使用，即同时具备欠压保护，过载保护等。

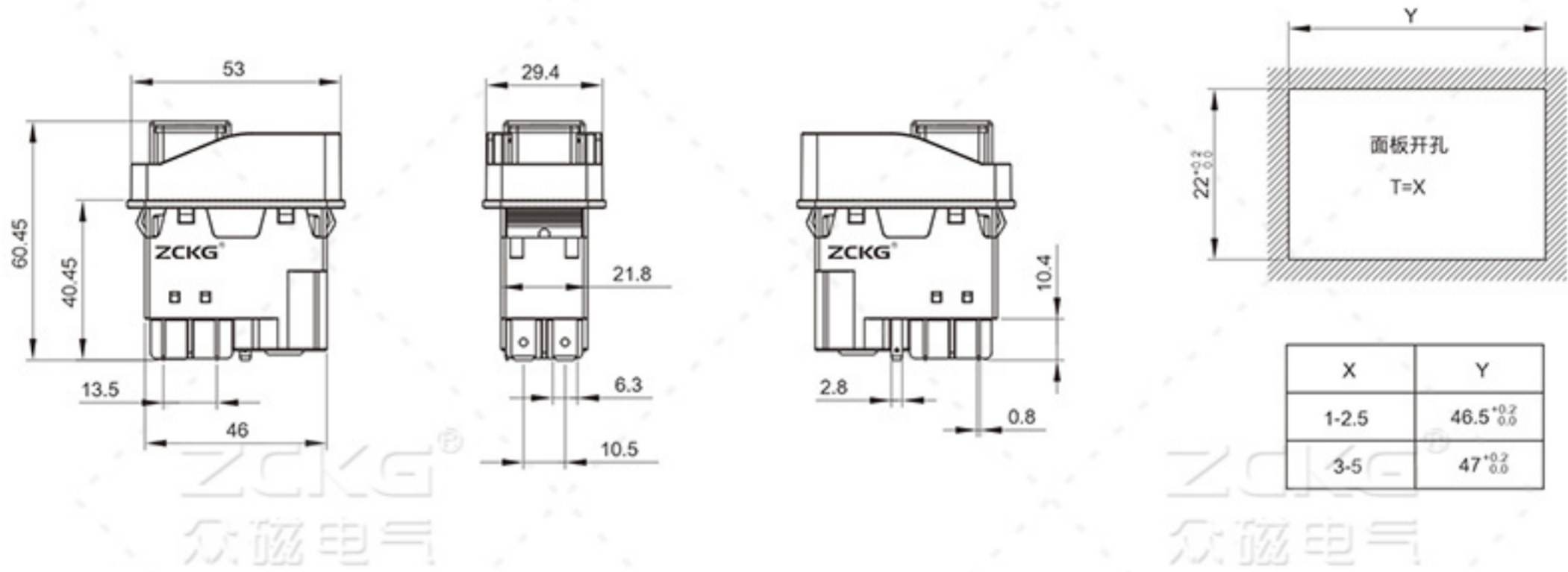
FUNCTIONS

- Power failure protection
- Under-voltage protection
- Based on the above, the following functions can be derived:
 1. Both poles completely disconnected.
 2. One pole disconnected with braking function.
 3. Both of the above can be combined with a thermal protection switch, thus providing under-voltage protection, overload protection, etc., simultaneously.

电压参数 VOLTAGE PARAMETERS

Certification and standard 认证、标准	TUV、CE	TUV、CE		UL、CUL	
Rated voltage 额定电压	250V AC	125V AC	250V AC	120V AC	250V AC
Rated current 额定电流	18(15)A	AC-3 : 18A、16A		20(15)A	18(15)A
Voltage 电压	100V-120V、220-250V				
Frequency of use 使用频率	50Hz/60Hz				
Degree of protection 防护等级	IP55				
Appliance lifespan 电器寿命	≥50000次				
Operating temperature 使用温度	T85/55				

参考尺寸 REFERENCE DIMENSION



订货选项 ORDERING OPTIONS

系列号 Serial number	电路图 Circuit diagram	线圈电压 Coil voltage	外框颜色 Frame color	按钮颜色标识 Button color indication	附件 Attachments
ZCD-02	F1 	V1: 220-250V AC 50Hz/60Hz V2: 100-125V AC 50Hz/60Hz V3: 12V-24V DC V4: 36V-48V DC	B 黑 Black	M1 M2 M3 M4 M5 M6 M7 M8 M9 M10 M11 M12 M13 客户定制 Customization for customers	
	F2 				
	F3 		Y 黄 Yellow		
	F4 				

ZCD-02B ELECTROMAGNETIC SWITCH

ZCD-02B电磁开关



功能

- 断电保护
- 欠压保护
- 在以上基础上可派生以下功能：
 - 1、两极全断开；
 - 2、一极断开带刹车功能；
 - 3、以上两种均可与热保护开关组合使用，即同时具备欠压保护，过载保护等。

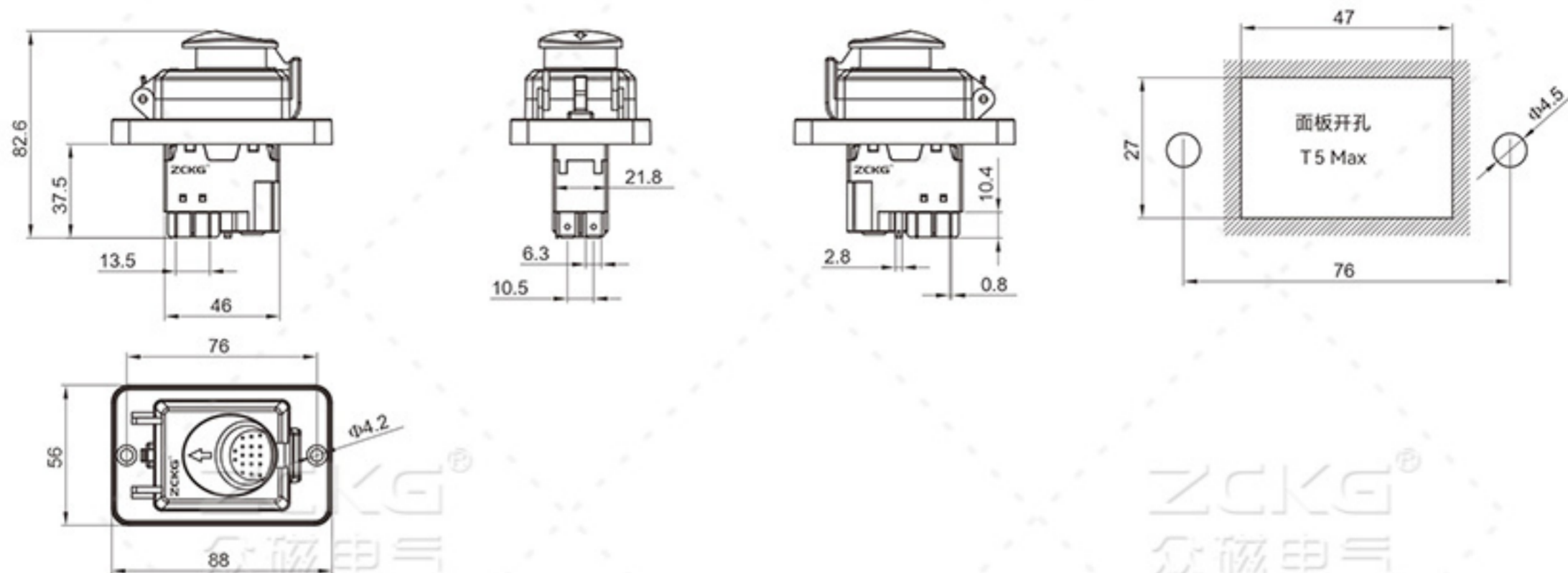
FUNCTIONS

- Power failure protection
- Under-voltage protection
- Based on the above, the following functions can be derived:
 1. Both poles completely disconnected.
 2. One pole disconnected with braking function.
 3. Both of the above can be combined with a thermal protection switch, thus providing under-voltage protection, overload protection, etc., simultaneously.

电压参数 VOLTAGE PARAMETERS

Certification and standard 认证、标准	TUV、CE	TUV、CE		UL、CUL	
Rated voltage 额定电压	250V AC	125V AC	250V AC	120V AC	250V AC
Rated current 额定电流	18(15)A	AC-3: 18A、16A		20(15)A	18(15)A
Voltage 电压	100V-120V、220-250V				
Frequency of use 使用频率	50Hz/60Hz				
Degree of protection 防护等级	IP55				
Appliance lifespan 电器寿命	≥50000次				
Operating temperature 使用温度	T85/55				

参考尺寸 REFERENCE DIMENSION



订货选项 ORDERING OPTIONS

系列号 Serial number	电路图 Circuit diagram	线圈电压 Coil voltage	外框颜色 Frame color	按钮颜色标识 Button color indication	附件 Attachments
ZCD-02B	F1 	V1: 220-250V AC 50Hz/60Hz V2: 100-125V AC 50Hz/60Hz V3: 12V-24V DC V4: 36V-48V DC	Y 黄 Yellow	M1 M2 M3 M4 M5 M6 M7 M8 M9 M10 M11 M12 M13 客户定制 Customization for customers	G1
	F2 				
	F3 				
	F4 				

ZCD-02B1 ELECTROMAGNETIC SWITCH

ZCD-02B1电磁开关



功能

- 断电保护
- 欠压保护
- 在以上基础上可派生以下功能：
 - 1、两极全断开；
 - 2、一极断开带刹车功能；
 - 3、以上两种均可与热保护开关组合使用，即同时具备欠压保护，过载保护等。

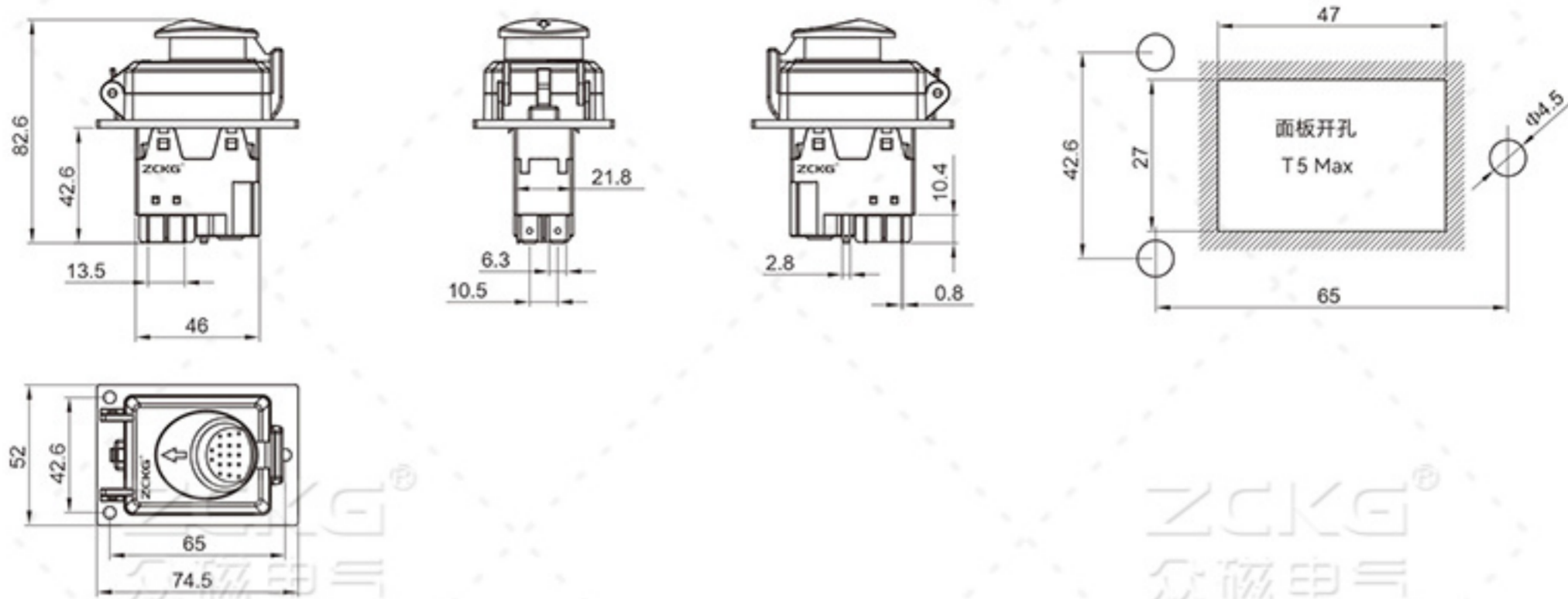
FUNCTIONS

- Power failure protection
- Under-voltage protection
- Based on the above, the following functions can be derived:
 1. Both poles completely disconnected.
 2. One pole disconnected with braking function.
 3. Both of the above can be combined with a thermal protection switch, thus providing under-voltage protection, overload protection, etc., simultaneously.

电压参数 VOLTAGE PARAMETERS

Certification and standard 认证、标准	TUV、CE	TUV、CE		UL、CUL	
Rated voltage 额定电压	250V AC	125V AC	250V AC	120V AC	250V AC
Rated current 额定电流	18(15)A	AC-3: 18A、16A		20(15)A	18(15)A
Voltage 电压	100V-120V、220-250V				
Frequency of use 使用频率	50Hz/60Hz				
Degree of protection 防护等级	IP55				
Appliance lifespan 电器寿命	≥50000次				
Operating temperature 使用温度	T85/55				

参考尺寸 REFERENCE DIMENSION

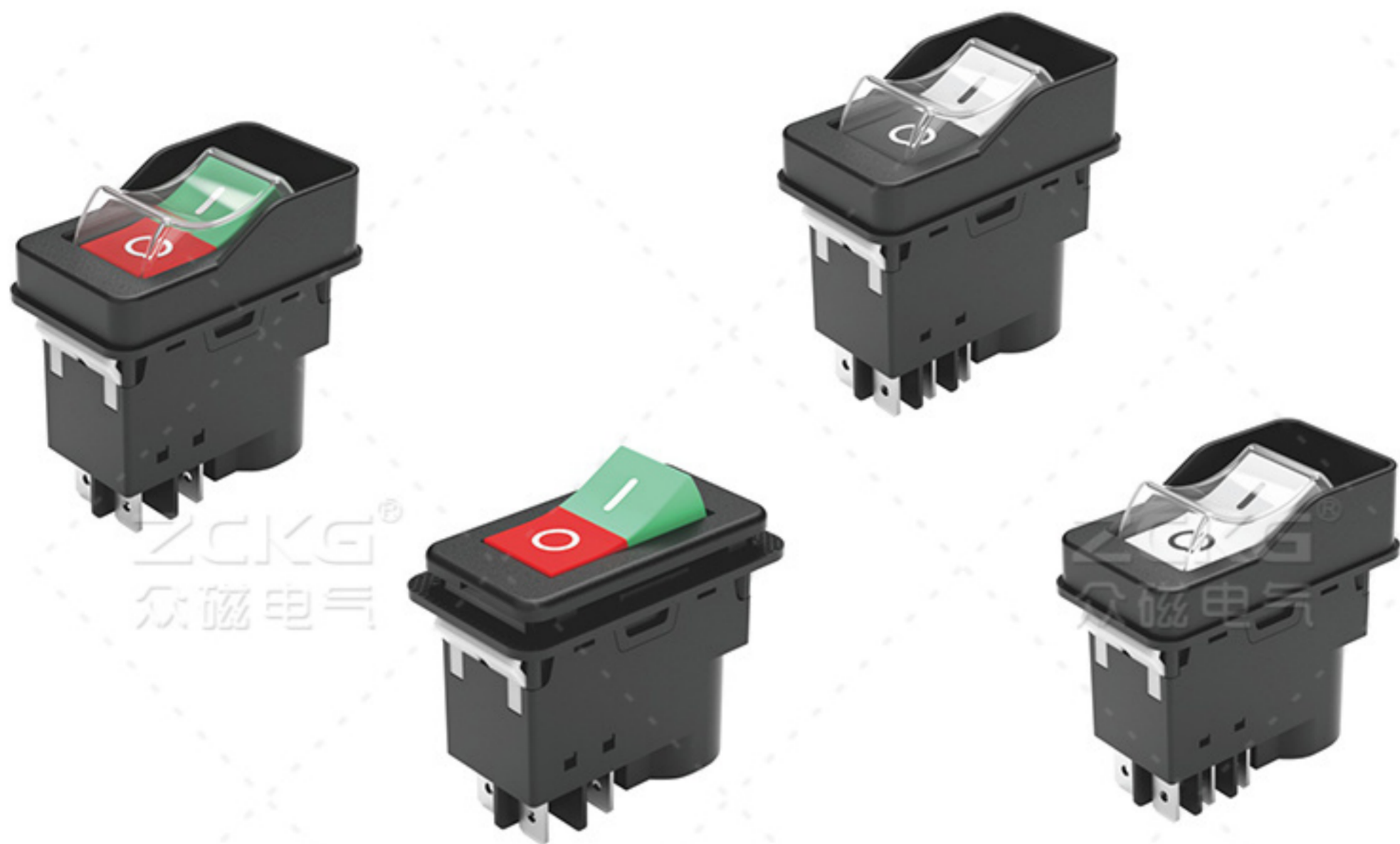


订货选项 ORDERING OPTIONS

系列号 Serial number	电路图 Circuit diagram	线圈电压 Coil voltage	外框颜色 Frame color	按钮颜色标识 Button color indication	附件 Attachments
ZCD-02B1	F1 	V1: 220-250V AC 50Hz/60Hz V2: 100-125V AC 50Hz/60Hz V3: 12V-24V DC V4: 36V-48V DC	Y 黄 Yellow	M1 M2 M3 M4 M5 M6 M7 M8 M9 M10 M11 M12 M13 客户定制 Customization for customers	
	F2 				
	F3 				
	F4 				

ZCD-02C ELECTROMAGNETIC SWITCH

ZCD-02C电磁开关



功能

- 断电保护
- 欠压保护
- 在以上基础上可派生以下功能：
 - 1、两极全断开；
 - 2、一极断开带刹车功能；
 - 3、以上两种均可与热保护开关组合使用，即同时具备欠压保护，过载保护等。

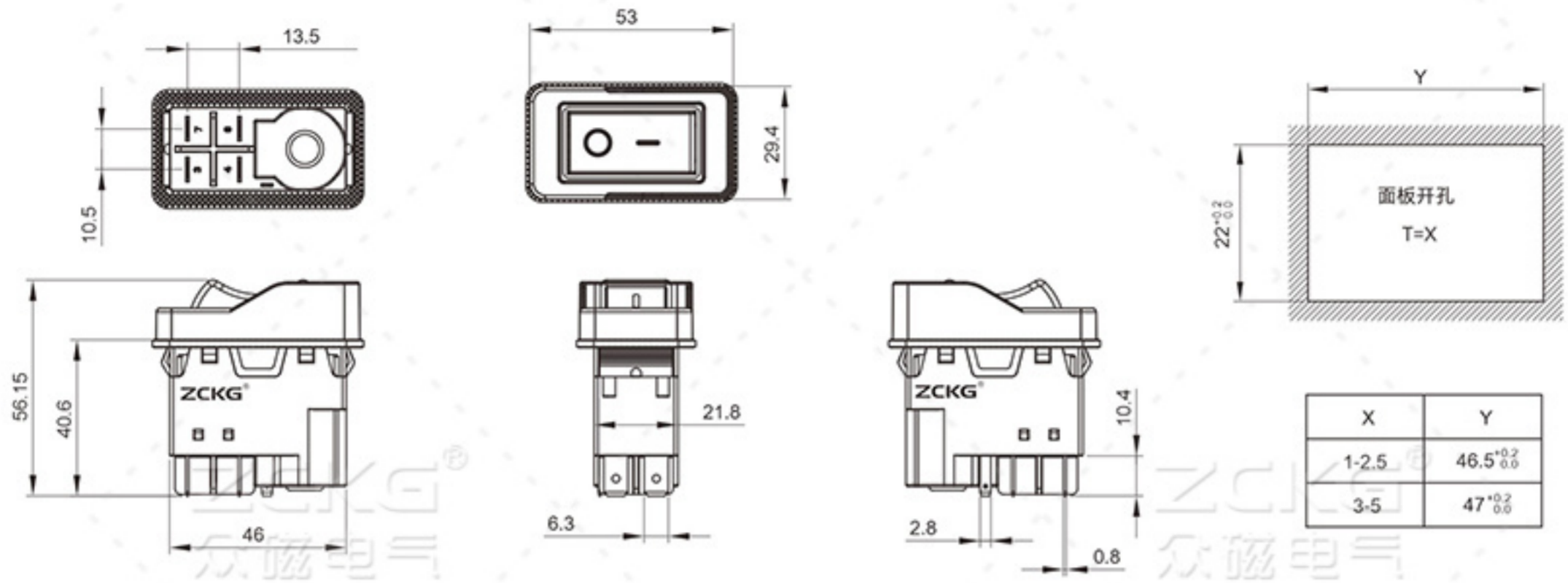
FUNCTIONS

- Power failure protection
- Under-voltage protection
- Based on the above, the following functions can be derived:
 1. Both poles completely disconnected.
 2. One pole disconnected with braking function.
 3. Both of the above can be combined with a thermal protection switch, thus providing under-voltage protection, overload protection, etc., simultaneously.

电压参数 VOLTAGE PARAMETERS

Certification and standard 认证、标准	TUV、CE	TUV、CE		UL、CUL	
Rated voltage 额定电压	250V AC	125V AC	250V AC	120V AC	250V AC
Rated current 额定电流	18(15)A	AC-3: 18A、16A		20(15)A	18(15)A
Voltage 电压	100V-120V、220-250V				
Frequency of use 使用频率	50Hz/60Hz				
Degree of protection 防护等级	IP55				
Appliance lifespan 电器寿命	≥50000次				
Operating temperature 使用温度	T85/55				

参考尺寸 REFERENCE DIMENSION

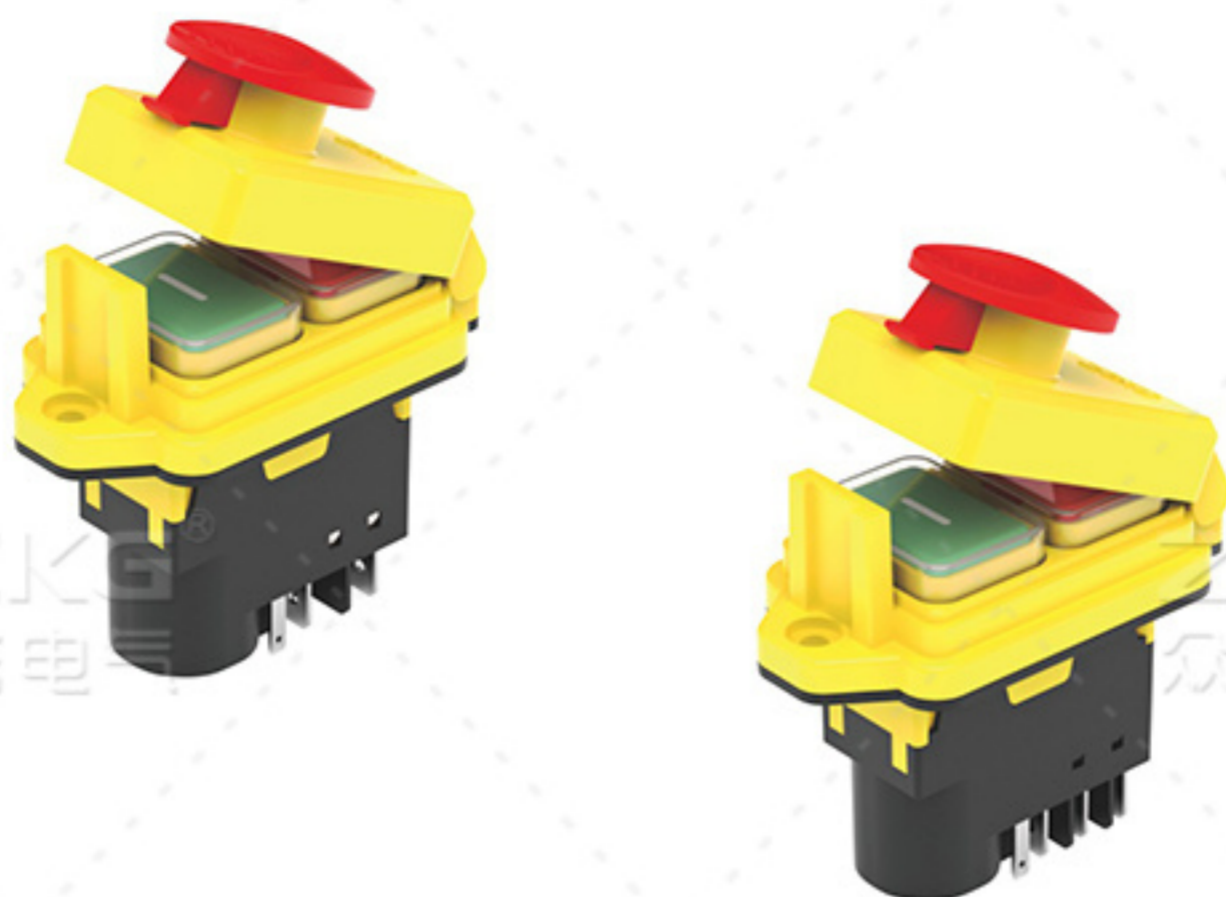


订货选项 ORDERING OPTIONS

系列号 Serial number	电路图 Circuit diagram	线圈电压 Coil voltage	外框颜色 Frame color	按钮颜色标识 Button color indication	附件 Attachments
ZCD-02C	F1 	V1: 220-250V AC 50Hz/60Hz V2: 100-125V AC 50Hz/60Hz V3: 12V-24V DC V4: 36V-48V DC	B 黑 Black	M1 M2 M3 M4 M5 M6 M7 M8 M9 M10 M11 M12 M13 客户定制 Customization for customers	F1
	F2 				
	F3 		Y 黄 Yellow		
	F4 				

ZCD-02D ELECTROMAGNETIC SWITCH

ZCD-02D电磁开关



功能

- 断电保护
- 欠压保护
- 在以上基础上可派生以下功能：
 - 1、两极全断开；
 - 2、一极断开带刹车功能；
 - 3、以上两种均可与热保护开关组合使用，即同时具备欠压保护，过载保护等。

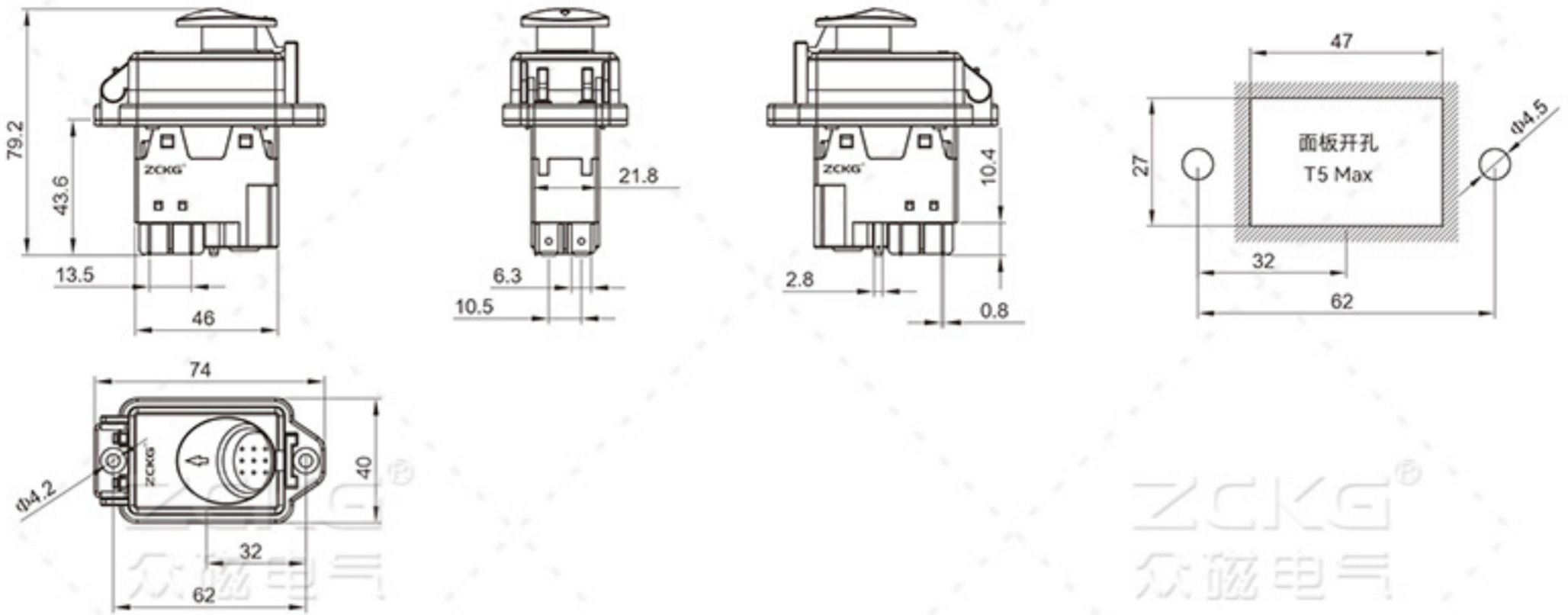
FUNCTIONS

- Power failure protection
- Under-voltage protection
- Based on the above, the following functions can be derived:
 1. Both poles completely disconnected.
 2. One pole disconnected with braking function.
 3. Both of the above can be combined with a thermal protection switch, thus providing under-voltage protection, overload protection, etc., simultaneously.

电压参数 VOLTAGE PARAMETERS

Certification and standard 认证、标准	TUV、CE	TUV、CE		UL、CUL	
Rated voltage 额定电压	250V AC	125V AC	250V AC	120V AC	250V AC
Rated current 额定电流	18(15)A	AC-3: 18A、16A		20(15)A	18(15)A
Voltage 电压	100V-120V、220-250V				
Frequency of use 使用频率	50Hz/60Hz				
Degree of protection 防护等级	IP55				
Appliance lifespan 电器寿命	≥50000次				
Operating temperature 使用温度	T85/55				

参考尺寸 REFERENCE DIMENSION

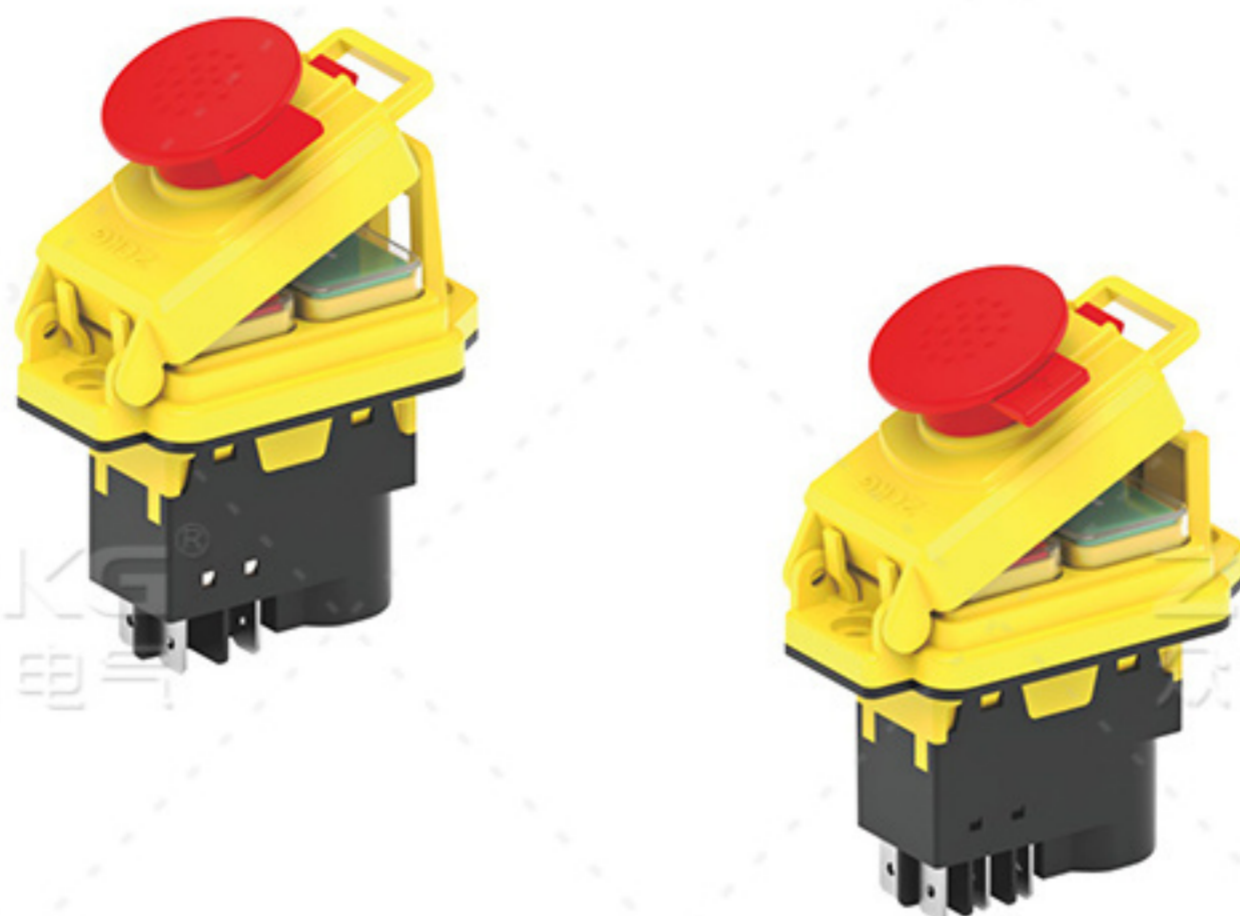


订货选项 ORDERING OPTIONS

系列号 Serial number	电路图 Circuit diagram	线圈电压 Coil voltage	外框颜色 Frame color	按钮颜色标识 Button color indication	附件 Attachments
ZCD-02D	F1 	V1: 220-250V AC 50Hz/60Hz V2: 100-125V AC 50Hz/60Hz V3: 12V-24V DC V4: 36V-48V DC	Y 黄 Yellow	M1 M2 M3 M4 M5 M6 M7 M8 M9 M10 M11 M12 M13 客户定制 Customization for customers	
	F2 				
	F3 				
	F4 				

ZCD-02D1 ELECTROMAGNETIC SWITCH

ZCD-02D1电磁开关



功能

- 断电保护
- 欠压保护
- 在以上基础上可派生以下功能：
 - 1、两极全断开；
 - 2、一极断开带刹车功能；
 - 3、以上两种均可与热保护开关组合使用，即同时具备欠压保护，过载保护等。

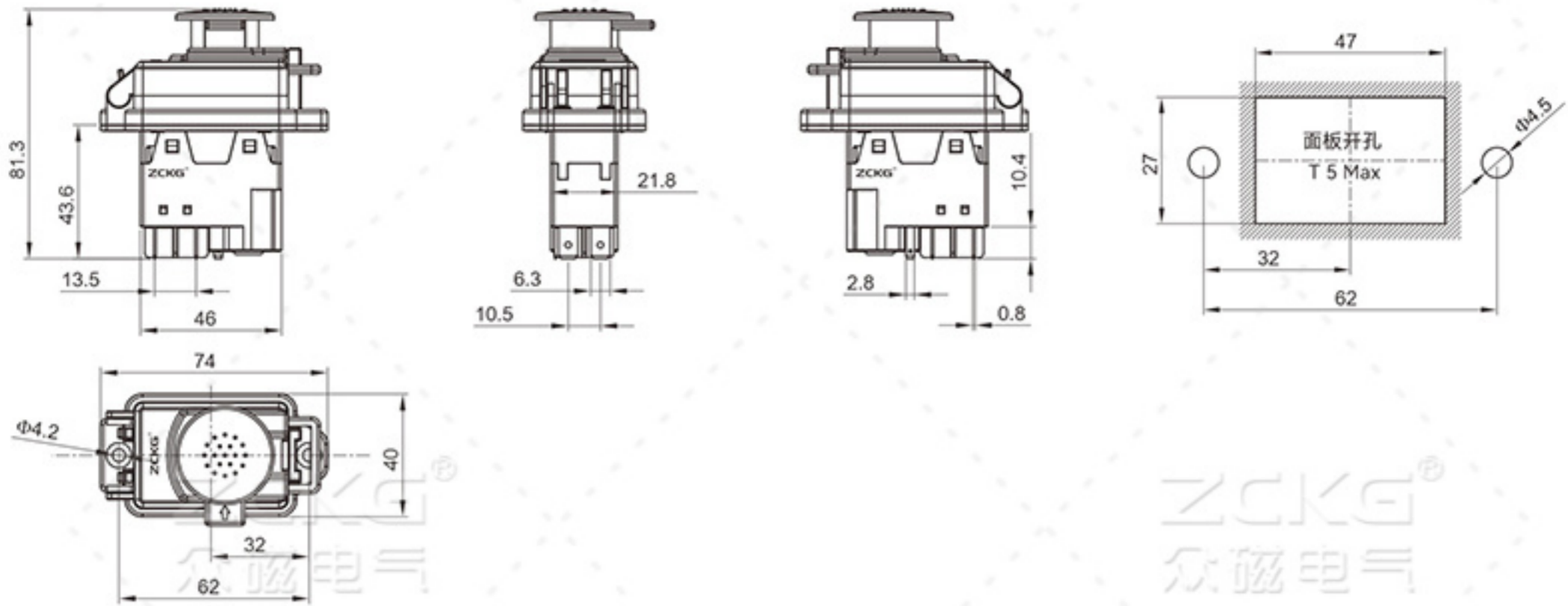
FUNCTIONS

- Power failure protection
- Under-voltage protection
- Based on the above, the following functions can be derived:
 1. Both poles completely disconnected.
 2. One pole disconnected with braking function.
 3. Both of the above can be combined with a thermal protection switch, thus providing under-voltage protection, overload protection, etc., simultaneously.

电压参数 VOLTAGE PARAMETERS

Certification and standard 认证、标准	TUV、CE	TUV、CE		UL、CUL	
Rated voltage 额定电压	250V AC	125V AC	250V AC	120V AC	250V AC
Rated current 额定电流	18(15)A	AC-3: 18A、16A		20(15)A	18(15)A
Voltage 电压	100V-120V、220-250V				
Frequency of use 使用频率	50Hz/60Hz				
Degree of protection 防护等级	IP55				
Appliance lifespan 电器寿命	≥50000次				
Operating temperature 使用温度	T85/55				

参考尺寸 REFERENCE DIMENSION



订货选项 ORDERING OPTIONS

系列号 Serial number	电路图 Circuit diagram	线圈电压 Coil voltage	外框颜色 Frame color	按钮颜色标识 Button color indication	附件 Attachments
ZCD-02D1	F1 	V1: 220-250V AC 50Hz/60Hz V2: 100-125V AC 50Hz/60Hz V3: 12V-24V DC V4: 36V-48V DC	Y 黄 Yellow	M1 M2 M3 M4 M5 M6 M7 M8 M9 M10 M11 M12 M13 客户定制 Customization for customers	
	F2 				
	F3 				
	F4 				

ZCD-02D2 ELECTROMAGNETIC SWITCH

ZCD-02D2电磁开关



功能

- 断电保护
- 欠压保护
- 在以上基础上可派生以下功能：
 - 1、两极全断开；
 - 2、一极断开带刹车功能；
 - 3、以上两种均可与热保护开关组合使用，即同时具备欠压保护，过载保护等。

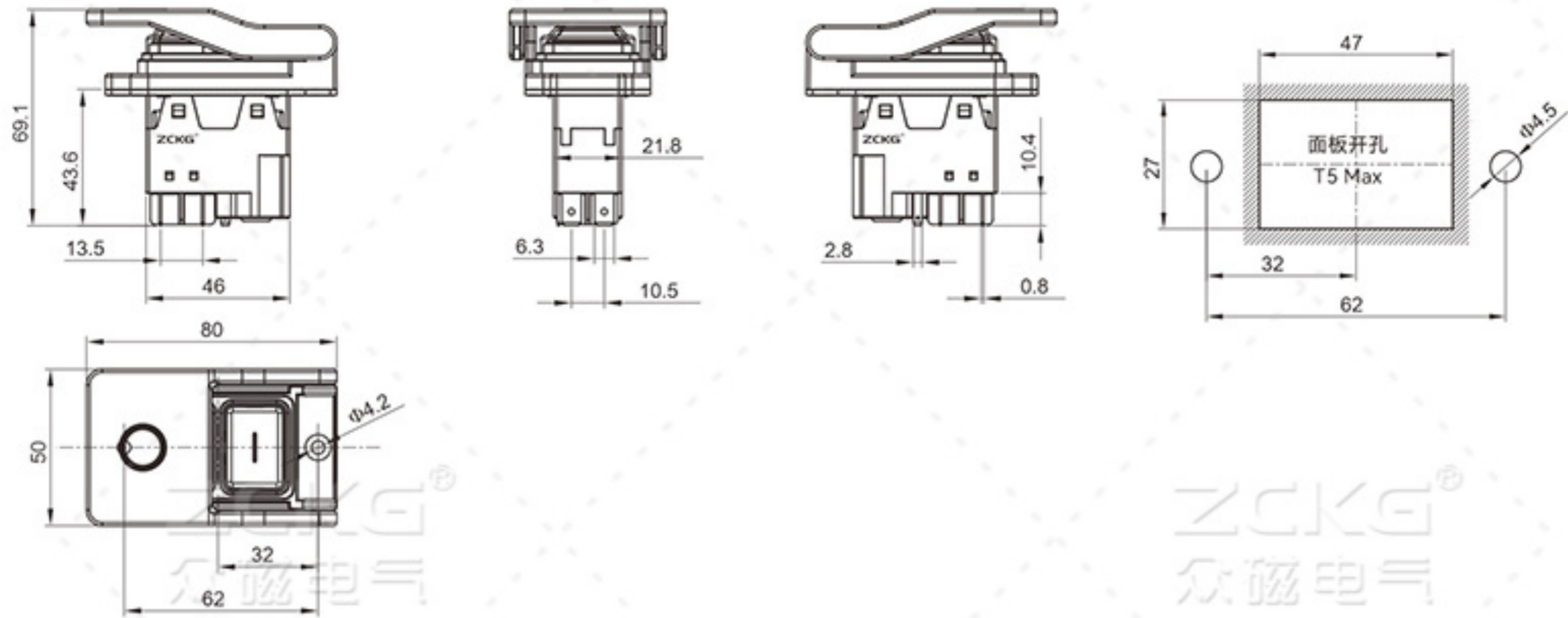
FUNCTIONS

- Power failure protection
- Under-voltage protection
- Based on the above, the following functions can be derived:
 1. Both poles completely disconnected.
 2. One pole disconnected with braking function.
 3. Both of the above can be combined with a thermal protection switch, thus providing under-voltage protection, overload protection, etc., simultaneously.

电压参数 VOLTAGE PARAMETERS

Certification and standard 认证、标准	TUV、CE	TUV、CE		UL、CUL	
Rated voltage 额定电压	250V AC	125V AC	250V AC	120V AC	250V AC
Rated current 额定电流	18(15)A	AC-3: 18A、16A		20(15)A	18(15)A
Voltage 电压	100V-120V、220-250V				
Frequency of use 使用频率	50Hz/60Hz				
Degree of protection 防护等级	IP55				
Appliance lifespan 电器寿命	≥50000次				
Operating temperature 使用温度	T85/55				

参考尺寸 REFERENCE DIMENSION



订货选项 ORDERING OPTIONS

系列号 Serial number	电路图 Circuit diagram	线圈电压 Coil voltage	外框颜色 Frame color	按钮颜色标识 Button color indication	附件 Attachments
ZCD-02D2	F1 	V1: 220-250V AC 50Hz/60Hz V2: 100-125V AC 50Hz/60Hz V3: 12V-24V DC V4: 36V-48V DC	B 黑 Black	M1 M2 M3 M4 M5 M6 M7 M8 M9 M10 M11 M12 M13 客户定制 Customization for customers	W1
	F2 				W2
	F3 		W3 		
	F4 				
			Y 黄 Yellow		

ZCD-02E ELECTROMAGNETIC SWITCH

ZCD-02E电磁开关



功能

- 断电保护
- 欠压保护
- 在以上基础上可派生以下功能：
 - 1、两极全断开；
 - 2、一极断开带刹车功能；
 - 3、以上两种均可与热保护开关组合使用，即同时具备欠压保护，过载保护等。

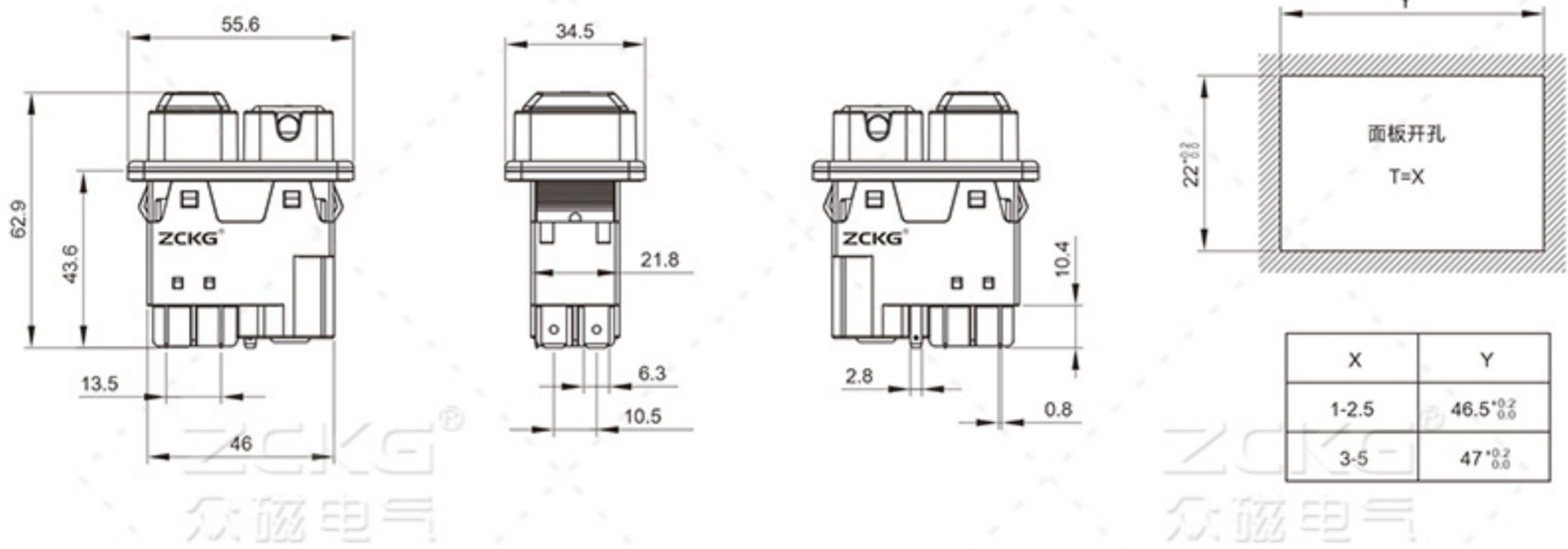
FUNCTIONS

- Power failure protection
- Under-voltage protection
- Based on the above, the following functions can be derived:
 1. Both poles completely disconnected.
 2. One pole disconnected with braking function.
 3. Both of the above can be combined with a thermal protection switch, thus providing under-voltage protection, overload protection, etc., simultaneously.

电压参数 VOLTAGE PARAMETERS

Certification and standard 认证、标准	TUV、CE	TUV、CE		UL、CUL	
Rated voltage 额定电压	250V AC	125V AC	250V AC	120V AC	250V AC
Rated current 额定电流	18(15)A	AC-3: 18A、16A		20(15)A	18(15)A
Voltage 电压	100V-120V、220-250V				
Frequency of use 使用频率	50Hz/60Hz				
Degree of protection 防护等级	IP55				
Appliance lifespan 电器寿命	≥50000次				
Operating temperature 使用温度	T85/55				

参考尺寸 REFERENCE DIMENSION



订货选项 ORDERING OPTIONS

系列号 Serial number	电路图 Circuit diagram	线圈电压 Coil voltage	外框颜色 Frame color	按钮颜色标识 Button color indication	附件 Attachments	
ZCD-02E	F1 	V1: 220-250V AC 50Hz/60Hz V2: 100-125V AC 50Hz/60Hz V3: 12V-24V DC V4: 36V-48V DC	B 黑 Black	M1 M2 M3 M4 OFF M5 OFF M6 OFF M7 M8 M9 M10 OFF M11 OFF M12 OFF M13 客户定制 Customization for customers	F1 防水帽 	
	F2 				W1 	
	F3 		W2 			
	F4 		G1 			
			Y 黄 Yellow			G2
						G3

ZCD-02F ELECTROMAGNETIC SWITCH

ZCD-02F电磁开关



ZCKG®
众磁电气

ZCKG®
众磁电气

功能

- 断电保护
- 欠压保护
- 在以上基础上可派生以下功能：
 - 1、两极全断开；
 - 2、一极断开带刹车功能；
 - 3、以上两种均可与热保护开关组合使用，即同时具备欠压保护，过载保护等。

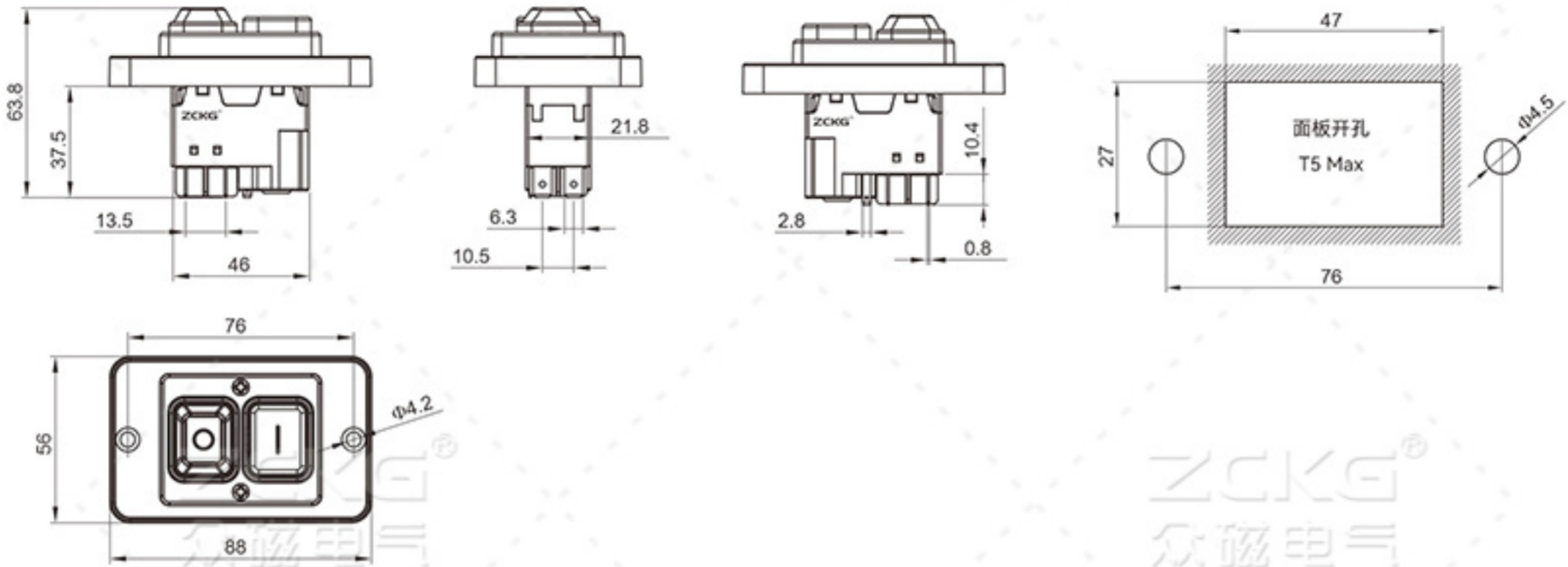
FUNCTIONS

- Power failure protection
- Under-voltage protection
- Based on the above, the following functions can be derived:
 1. Both poles completely disconnected.
 2. One pole disconnected with braking function.
 3. Both of the above can be combined with a thermal protection switch, thus providing under-voltage protection, overload protection, etc., simultaneously.

电压参数 VOLTAGE PARAMETERS

Certification and standard 认证、标准	TUV、CE	TUV、CE		UL、CUL	
Rated voltage 额定电压	250V AC	125V AC	250V AC	120V AC	250V AC
Rated current 额定电流	18(15)A	AC-3: 18A、16A		20(15)A	18(15)A
Voltage 电压	100V-120V、220-250V				
Frequency of use 使用频率	50Hz/60Hz				
Degree of protection 防护等级	IP55				
Appliance lifespan 电器寿命	≥50000次				
Operating temperature 使用温度	T85/55				

参考尺寸 REFERENCE DIMENSION

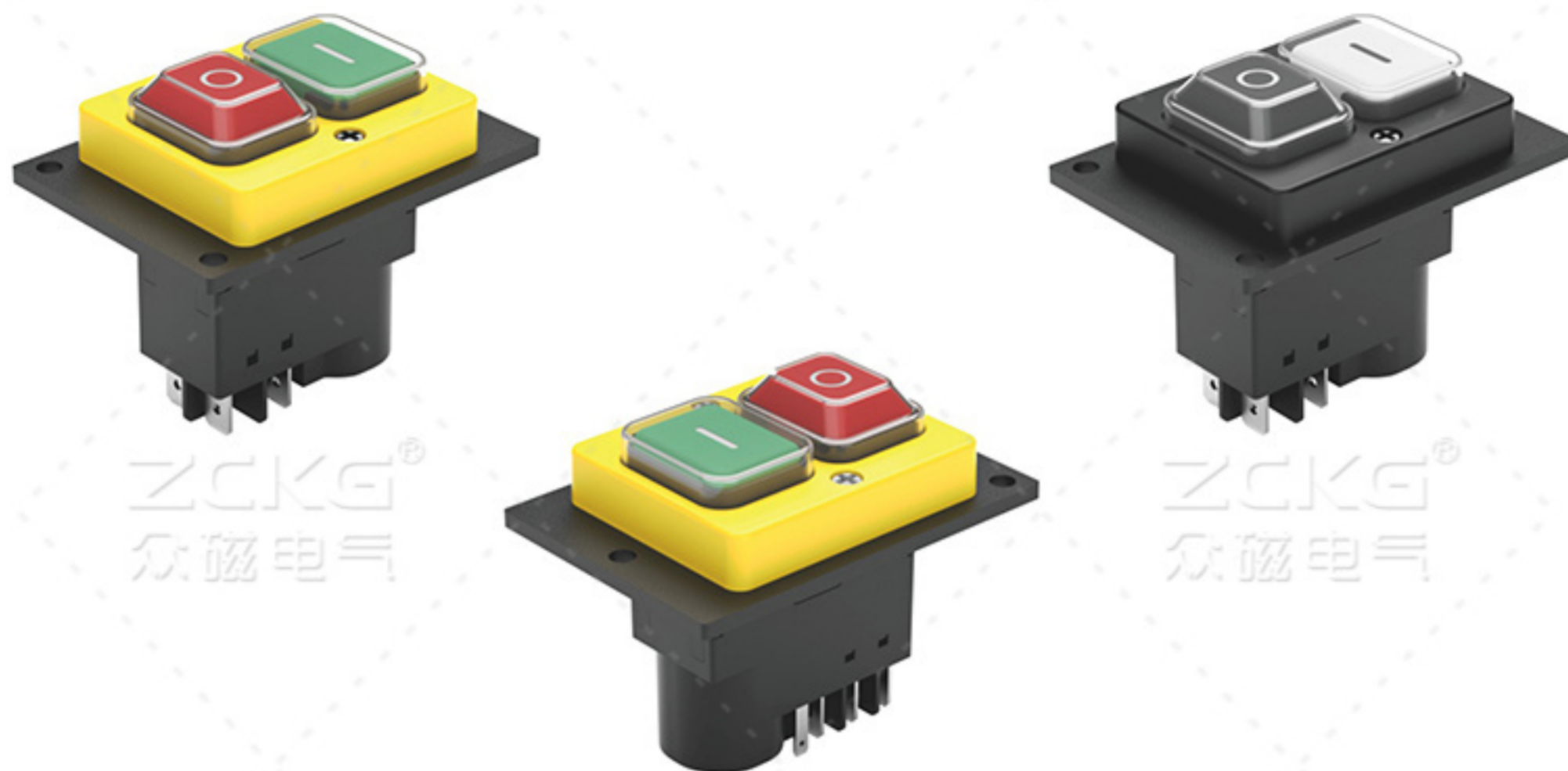


订货选项 ORDERING OPTIONS

系列号 Serial number	电路图 Circuit diagram	线圈电压 Coil voltage	外框颜色 Frame color	按钮颜色标识 Button color indication	附件 Attachments
ZCD-02F	F1 	V1: 220-250V AC 50Hz/60Hz V2: 100-125V AC 50Hz/60Hz V3: 12V-24V DC V4: 36V-48V DC	B 黑 Black	M1 M2 M3 M4 ON OFF M5 ON OFF M6 OFF M7 OFF M8 OFF M9 OFF M10 ON OFF M11 ON OFF M12 OFF M13 客户定制 Customization for customers	G1
	F2 				
	F3 				
	F4 				

ZCD-02F1 ELECTROMAGNETIC SWITCH

ZCD-02F1电磁开关



功能

- 断电保护
- 欠压保护
- 在以上基础上可派生以下功能：
 - 1、两极全断开；
 - 2、一极断开带刹车功能；
 - 3、以上两种均可与热保护开关组合使用，即同时具备欠压保护，过载保护等。

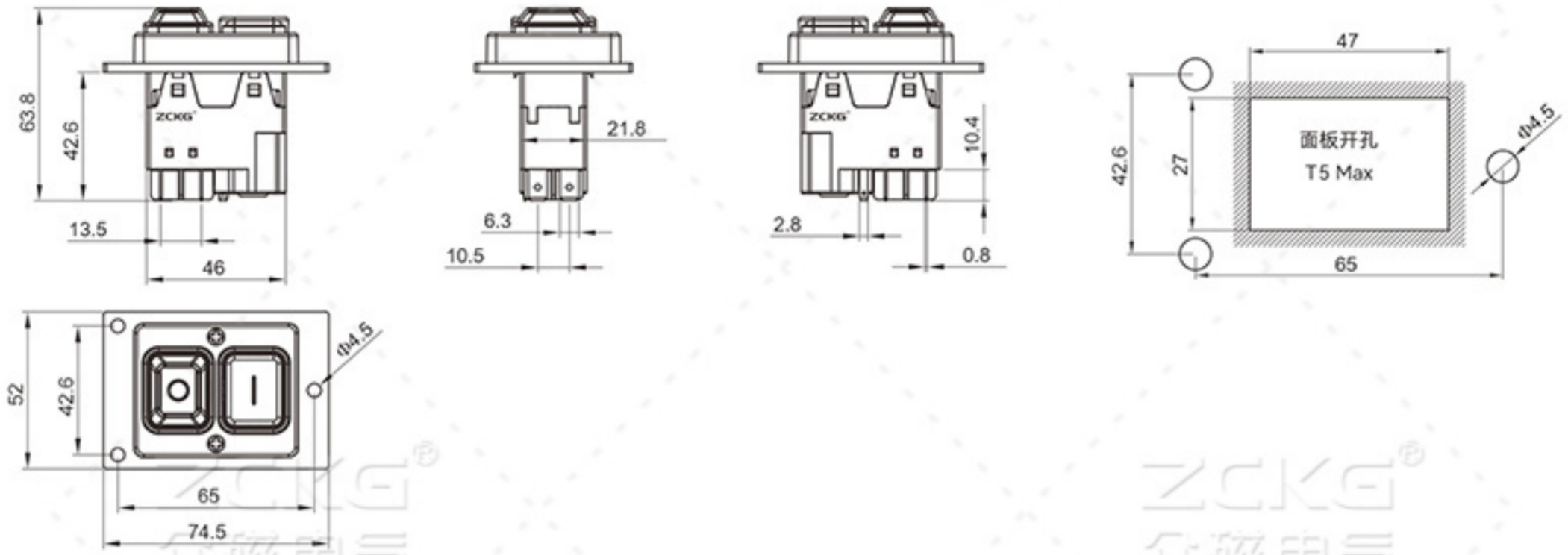
FUNCTIONS

- Power failure protection
- Under-voltage protection
- Based on the above, the following functions can be derived:
 1. Both poles completely disconnected.
 2. One pole disconnected with braking function.
 3. Both of the above can be combined with a thermal protection switch, thus providing under-voltage protection, overload protection, etc., simultaneously.

电压参数 VOLTAGE PARAMETERS

Certification and standard 认证、标准	TUV、CE	TUV、CE		UL、CUL	
Rated voltage 额定电压	250V AC	125V AC	250V AC	120V AC	250V AC
Rated current 额定电流	18(15)A	AC-3: 18A、16A		20(15)A	18(15)A
Voltage 电压	100V-120V、220-250V				
Frequency of use 使用频率	50Hz/60Hz				
Degree of protection 防护等级	IP55				
Appliance lifespan 电器寿命	≥50000次				
Operating temperature 使用温度	T85/55				

参考尺寸 REFERENCE DIMENSION

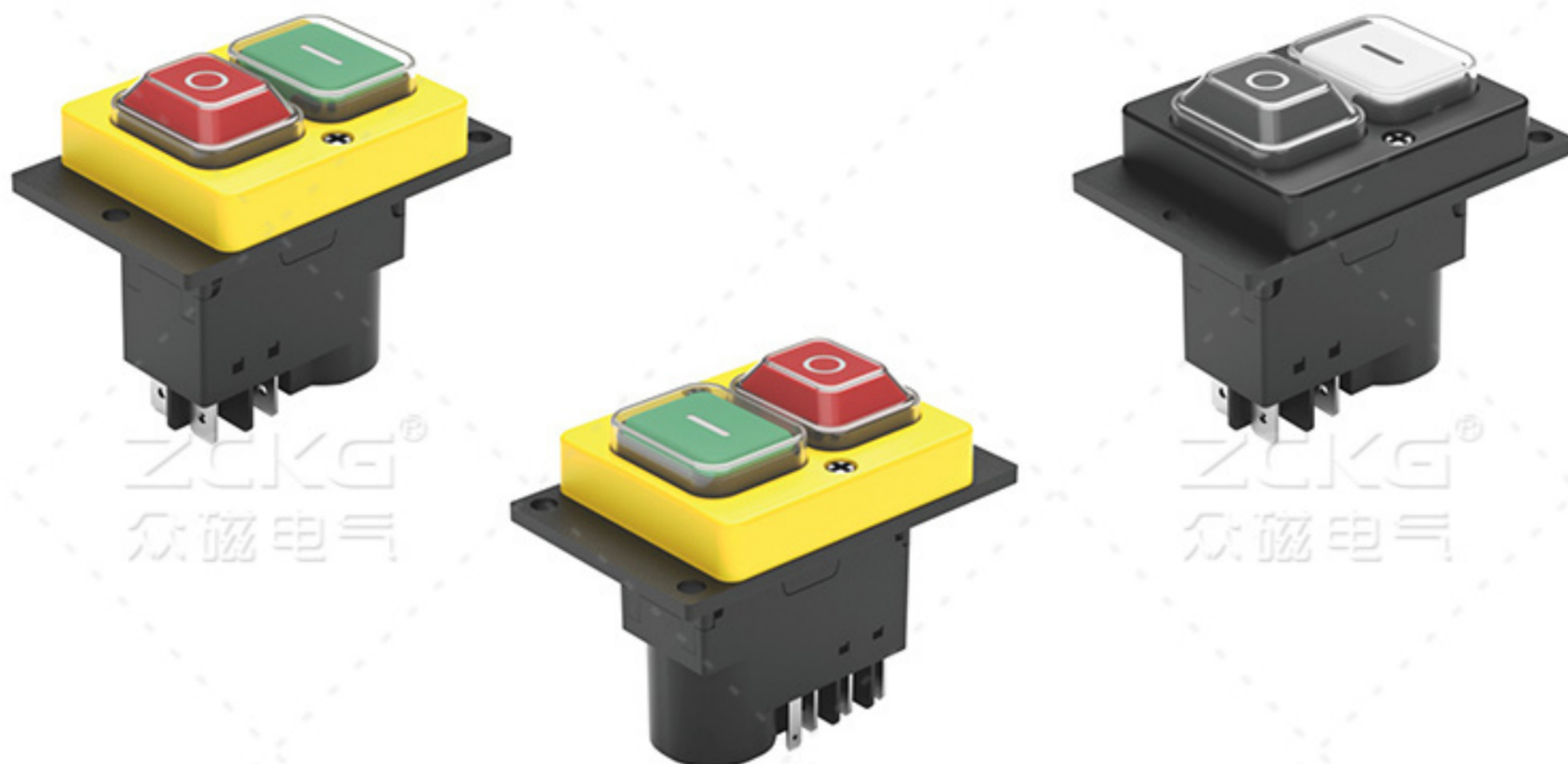


订货选项 ORDERING OPTIONS

系列号 Serial number	电路图 Circuit diagram	线圈电压 Coil voltage	外框颜色 Frame color	按钮颜色标识 Button color indication	附件 Attachments
ZCD-02F1	F1 	V1: 220-250V AC 50Hz/60Hz V2: 100-125V AC 50Hz/60Hz V3: 12V-24V DC V4: 36V-48V DC	B 黑 Black	M1 M2 M3 M4 M5 M6 M7 M8 M9 M10 M11 M12 M13 客户定制 Customization for customers	
	F2 				
	F3 				
	F4 				

ZCD-02F2 ELECTROMAGNETIC SWITCH

ZCD-02F2电磁开关



功能

- 断电保护
- 欠压保护
- 在以上基础上可派生以下功能：
 - 1、两极全断开；
 - 2、一极断开带刹车功能；
 - 3、以上两种均可与热保护开关组合使用，即同时具备欠压保护，过载保护等。

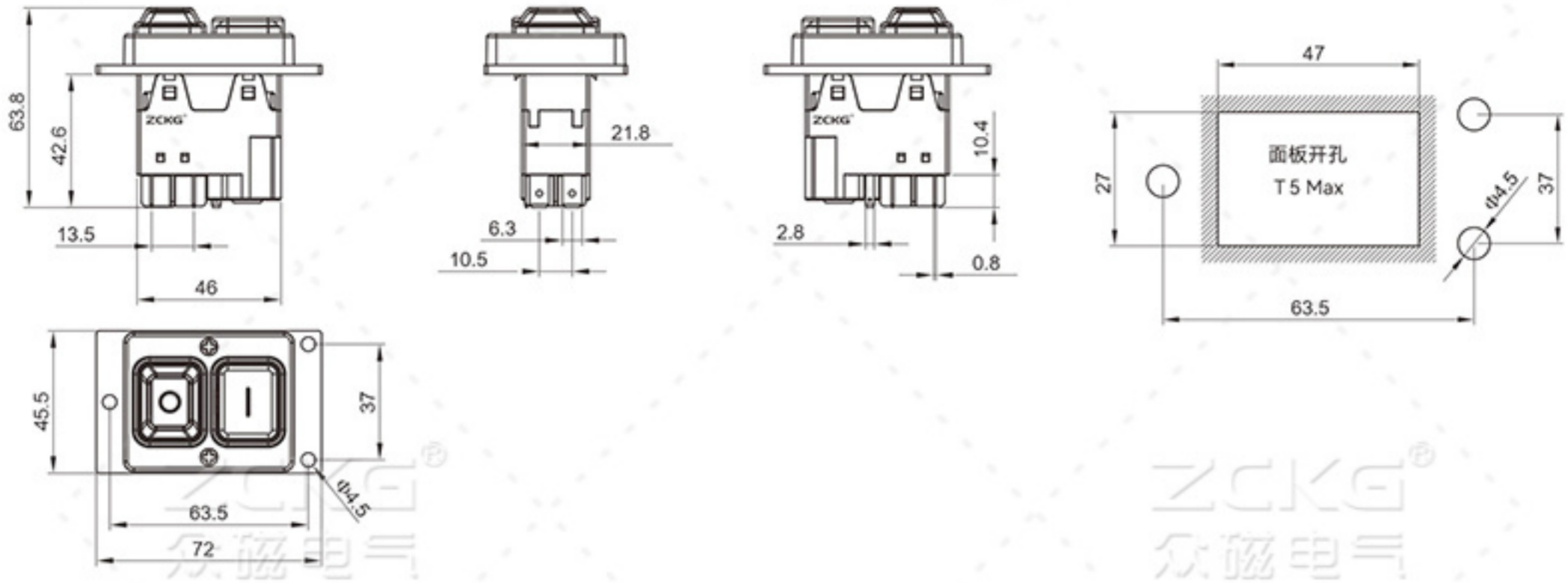
FUNCTIONS

- Power failure protection
- Under-voltage protection
- Based on the above, the following functions can be derived:
 1. Both poles completely disconnected.
 2. One pole disconnected with braking function.
 3. Both of the above can be combined with a thermal protection switch, thus providing under-voltage protection, overload protection, etc., simultaneously.

电压参数 VOLTAGE PARAMETERS

Certification and standard 认证、标准	TUV、CE	TUV、CE		UL、CUL	
Rated voltage 额定电压	250V AC	125V AC	250V AC	120V AC	250V AC
Rated current 额定电流	18(15)A	AC-3: 18A、16A		20(15)A	18(15)A
Voltage 电压	100V-120V、220-250V				
Frequency of use 使用频率	50Hz/60Hz				
Degree of protection 防护等级	IP55				
Appliance lifespan 电器寿命	≥50000次				
Operating temperature 使用温度	T85/55				

参考尺寸 REFERENCE DIMENSION

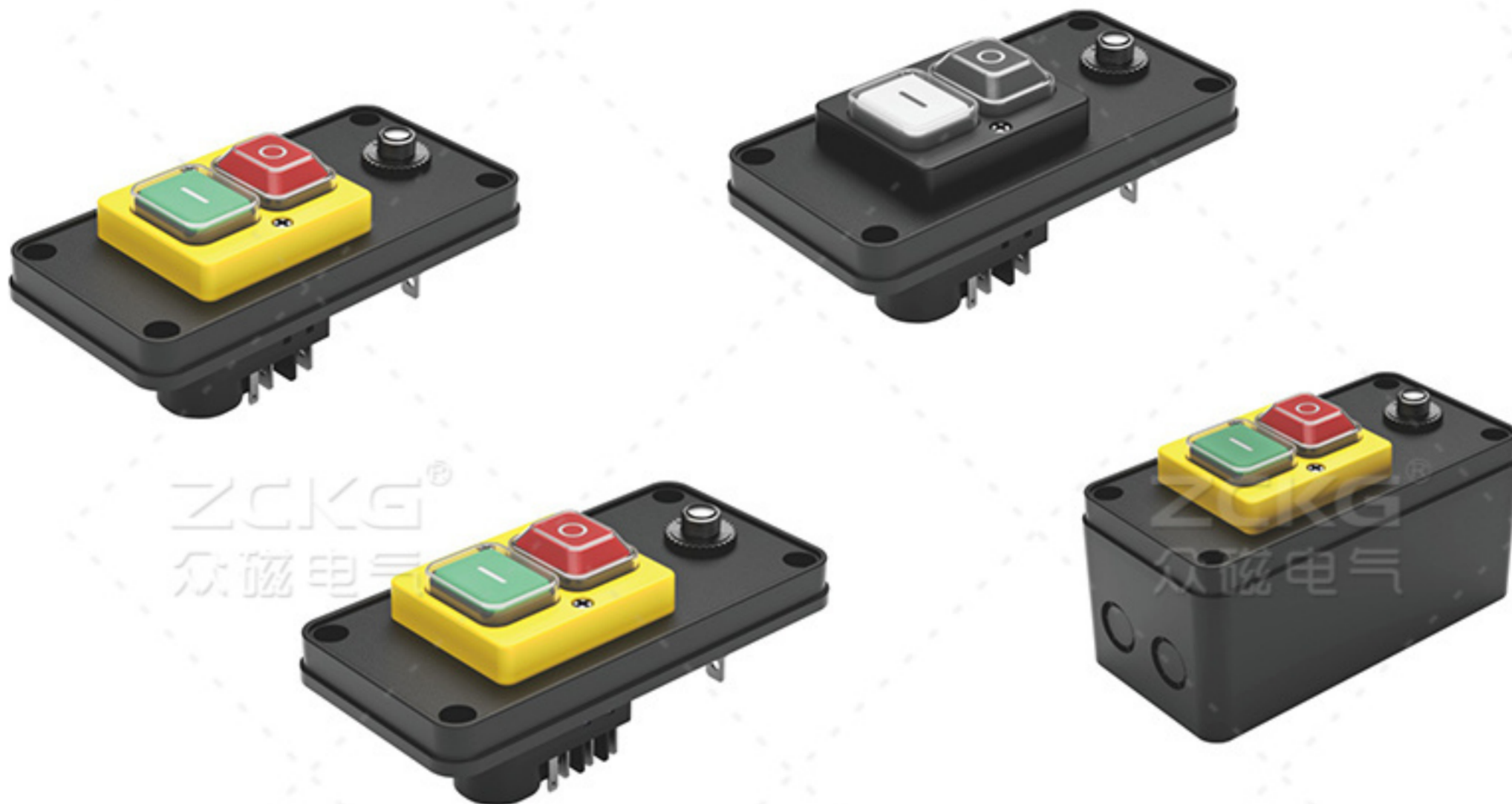


订货选项 ORDERING OPTIONS

系列号 Serial number	电路图 Circuit diagram	线圈电压 Coil voltage	外框颜色 Frame color	按钮颜色标识 Button color indication	附件 Attachments
ZCD-02F2	F1 	V1: 220-250V AC 50Hz/60Hz V2: 100-125V AC 50Hz/60Hz V3: 12V-24V DC V4: 36V-48V DC	B 黑 Black	M1 M2 M3 M4 M5 M6 M7 M8 M9 M10 M11 M12 M13 客户定制 Customization for customers	
	F2 				
	F3 		Y 黄 Yellow		
	F4 				

ZCD-02FL ELECTROMAGNETIC SWITCH

ZCD-02FL电磁开关



功能

- 断电保护
- 欠压保护
- 在以上基础上可派生以下功能：
 - 1、两极全断开；
 - 2、一极断开带刹车功能；
 - 3、以上两种均可与热保护开关组合使用，即同时具备欠压保护，过载保护等。

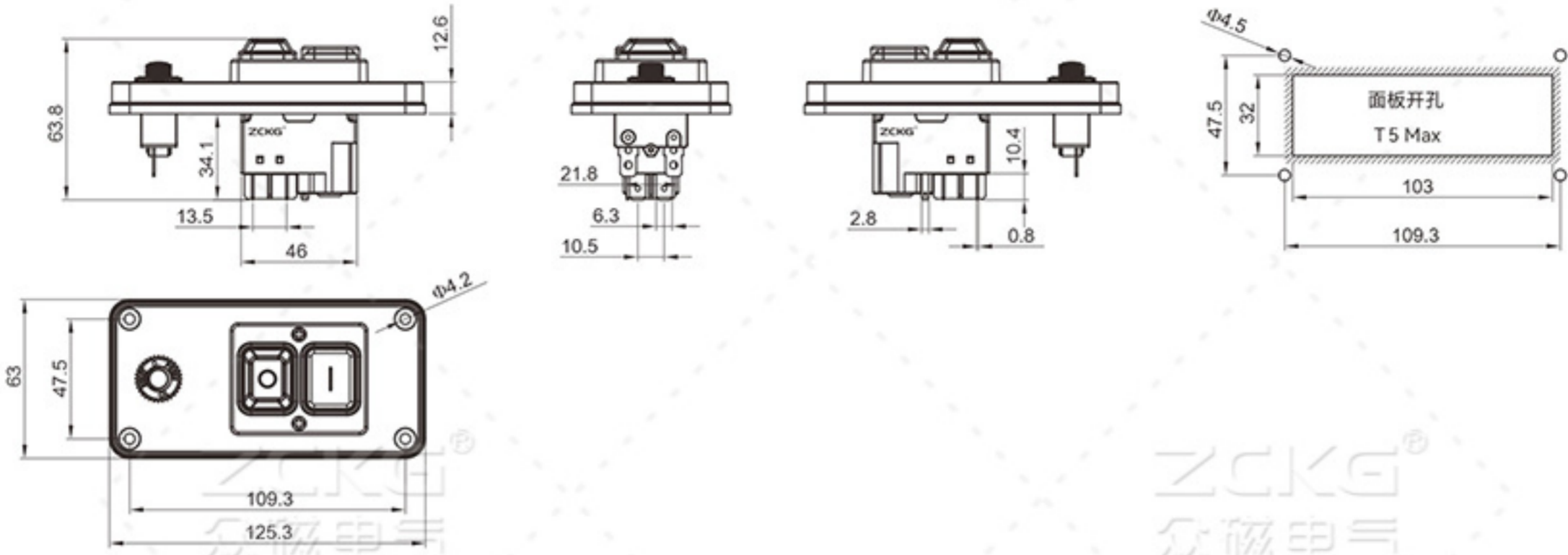
FUNCTIONS

- Power failure protection
- Under-voltage protection
- Based on the above, the following functions can be derived:
 1. Both poles completely disconnected.
 2. One pole disconnected with braking function.
 3. Both of the above can be combined with a thermal protection switch, thus providing under-voltage protection, overload protection, etc., simultaneously.

电压参数 VOLTAGE PARAMETERS

Certification and standard 认证、标准	TUV、CE	TUV、CE		UL、CUL	
Rated voltage 额定电压	250V AC	125V AC	250V AC	120V AC	250V AC
Rated current 额定电流	18(15)A	AC-3: 18A、16A		20(15)A	18(15)A
Voltage 电压	100V-120V、220-250V				
Frequency of use 使用频率	50Hz/60Hz				
Degree of protection 防护等级	IP55				
Appliance lifespan 电器寿命	≥50000次				
Operating temperature 使用温度	T85/55				

参考尺寸 REFERENCE DIMENSION



订货选项 ORDERING OPTIONS

系列号 Serial number	电路图 Circuit diagram	线圈电压 Coil voltage	外框颜色 Frame color	按钮颜色标识 Button color indication	附件 Attachments
ZCD-02FL	F1 	V1: 220-250V AC 50Hz/60Hz V2: 100-125V AC 50Hz/60Hz V3: 12V-24V DC V4: 36V-48V DC	B 黑 Black	M1 M2 M3 M4 M5 M6 M7 M8 M9 M10 M11 M12 M13 客户定制 Customization for customers	G1
	F2 				K1
	F3 		Y 黄 Yellow		K2
	F4 				

ZCD-02FR ELECTROMAGNETIC SWITCH

ZCD-02FR电磁开关



功能

- 断电保护
- 欠压保护
- 在以上基础上可派生以下功能：
 - 1、两极全断开；
 - 2、一极断开带刹车功能；
 - 3、以上两种均可与热保护开关组合使用，即同时具备欠压保护，过载保护等。

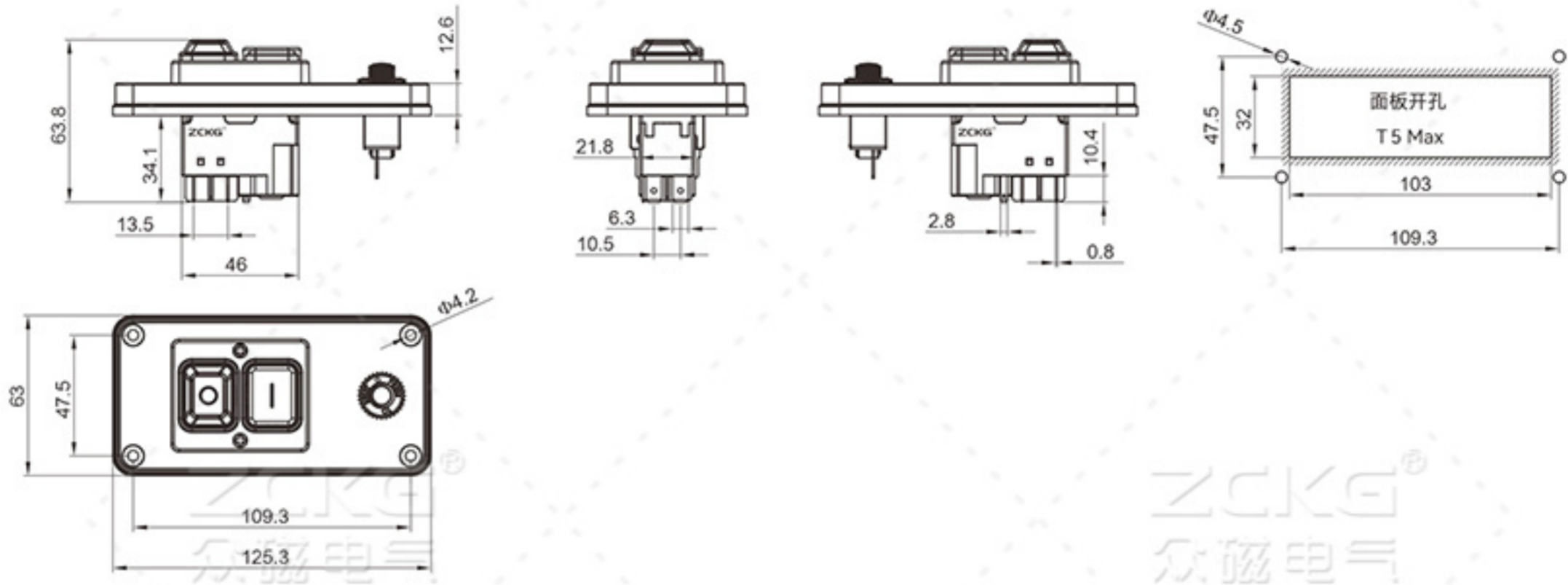
FUNCTIONS

- Power failure protection
- Under-voltage protection
- Based on the above, the following functions can be derived:
 1. Both poles completely disconnected.
 2. One pole disconnected with braking function.
 3. Both of the above can be combined with a thermal protection switch, thus providing under-voltage protection, overload protection, etc., simultaneously.

电压参数 VOLTAGE PARAMETERS

Certification and standard 认证、标准	TUV、CE	TUV、CE		UL、CUL	
Rated voltage 额定电压	250V AC	125V AC	250V AC	120V AC	250V AC
Rated current 额定电流	18(15)A	AC-3: 18A、16A		20(15)A	18(15)A
Voltage 电压	100V-120V、220-250V				
Frequency of use 使用频率	50Hz/60Hz				
Degree of protection 防护等级	IP55				
Appliance lifespan 电器寿命	≥50000次				
Operating temperature 使用温度	T85/55				

参考尺寸 REFERENCE DIMENSION

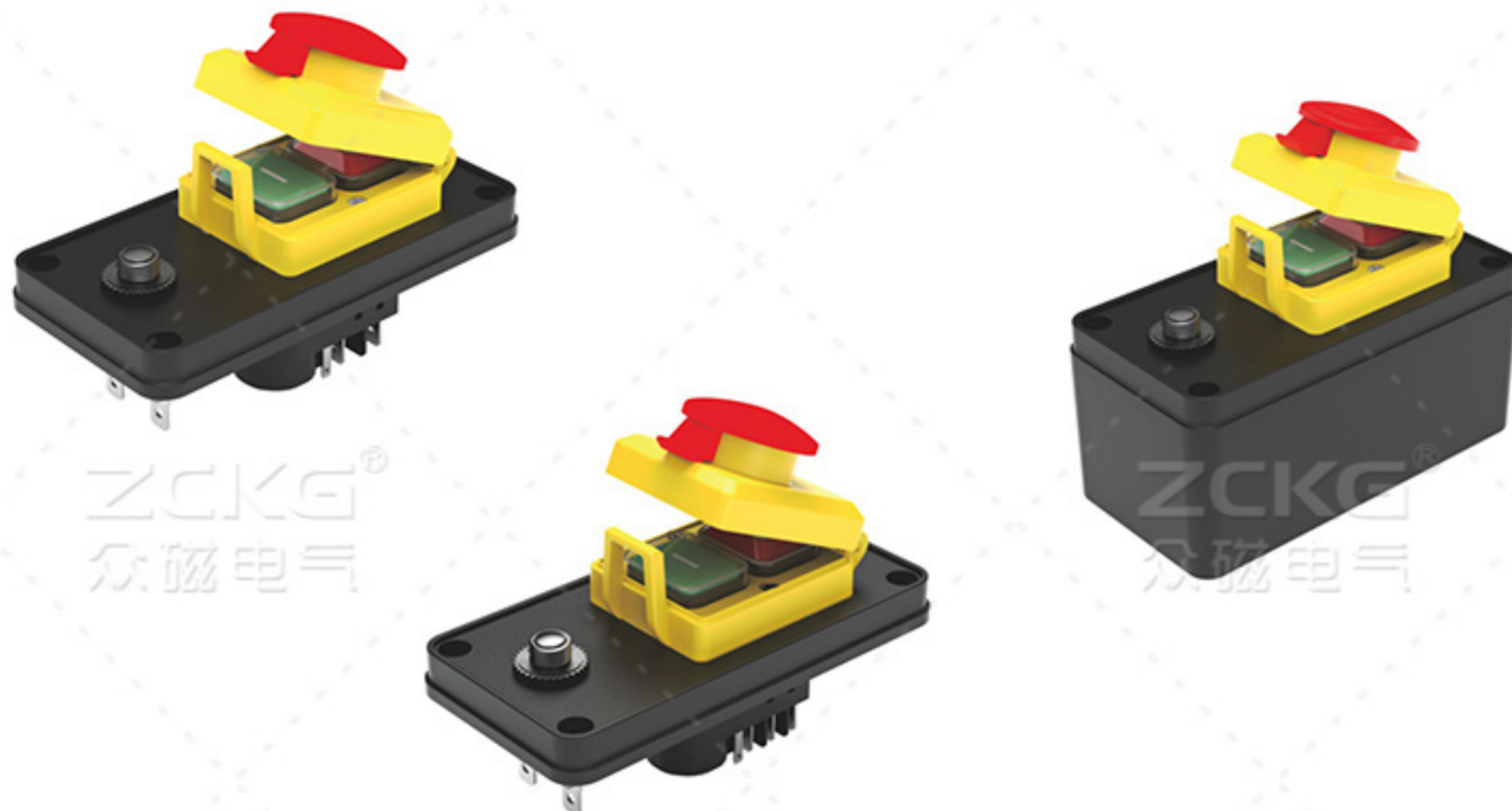


订货选项 ORDERING OPTIONS

系列号 Serial number	电路图 Circuit diagram	线圈电压 Coil voltage	外框颜色 Frame color	按钮颜色标识 Button color indication	附件 Attachments
ZCD-02FR	F1 	V1: 220-250V AC 50Hz/60Hz V2: 100-125V AC 50Hz/60Hz V3: 12V-24V DC V4: 36V-48V DC	B 黑 Black	M1 M2 M3 M4 OFF M5 OFF M6 OFF M7 M8 M9 M10 OFF M11 OFF M12 OFF M13 客户定制 Customization for customers	G1
	F2 				K1
	F3 		Y 黄 Yellow		K2
	F4 				

ZCD-02BR ELECTROMAGNETIC SWITCH

ZCD-02BR电磁开关



功能

- 断电保护
- 欠压保护
- 在以上基础上可派生以下功能：
 - 1、两极全断开；
 - 2、一极断开带刹车功能；
 - 3、以上两种均可与热保护开关组合使用，即同时具备欠压保护，过载保护等。

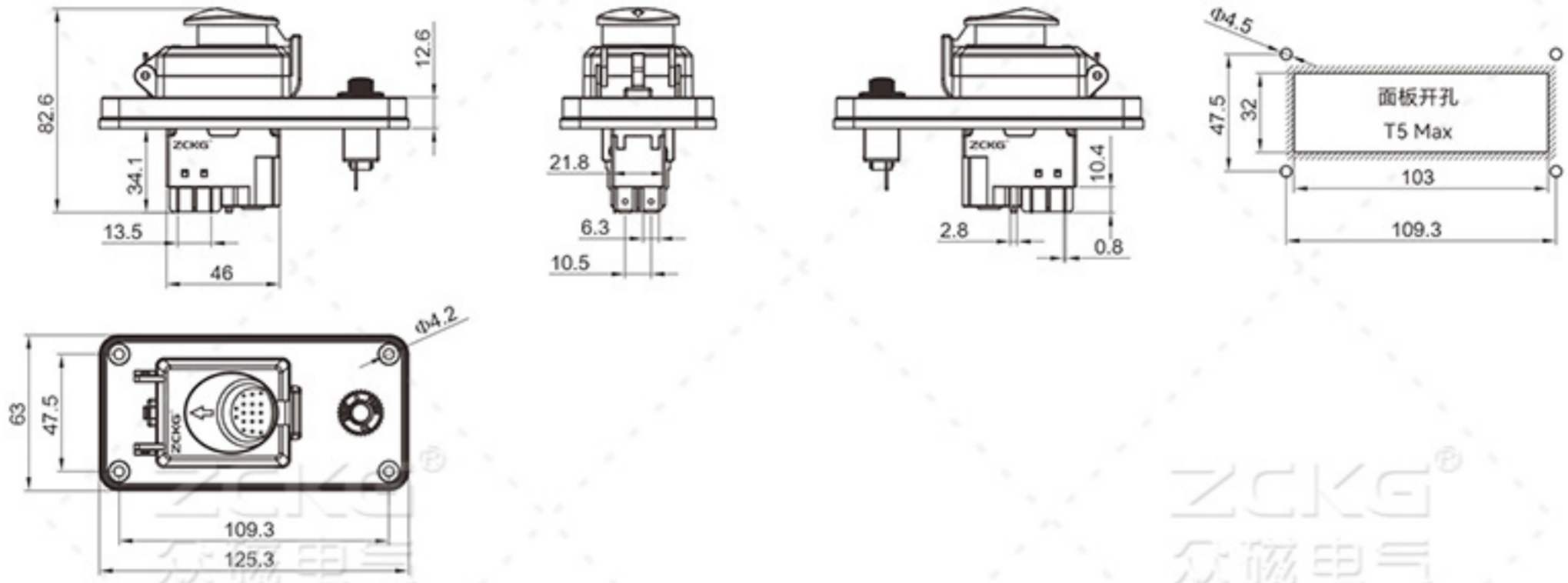
FUNCTIONS

- Power failure protection
- Under-voltage protection
- Based on the above, the following functions can be derived:
 1. Both poles completely disconnected.
 2. One pole disconnected with braking function.
 3. Both of the above can be combined with a thermal protection switch, thus providing under-voltage protection, overload protection, etc., simultaneously.

电压参数 VOLTAGE PARAMETERS

Certification and standard 认证、标准	TUV、CE	TUV、CE		UL、CUL	
Rated voltage 额定电压	250V AC	125V AC	250V AC	120V AC	250V AC
Rated current 额定电流	18(15)A	AC-3: 18A、16A		20(15)A	18(15)A
Voltage 电压	100V-120V、220-250V				
Frequency of use 使用频率	50Hz/60Hz				
Degree of protection 防护等级	IP55				
Appliance lifespan 电器寿命	≥50000次				
Operating temperature 使用温度	T85/55				

参考尺寸 REFERENCE DIMENSION

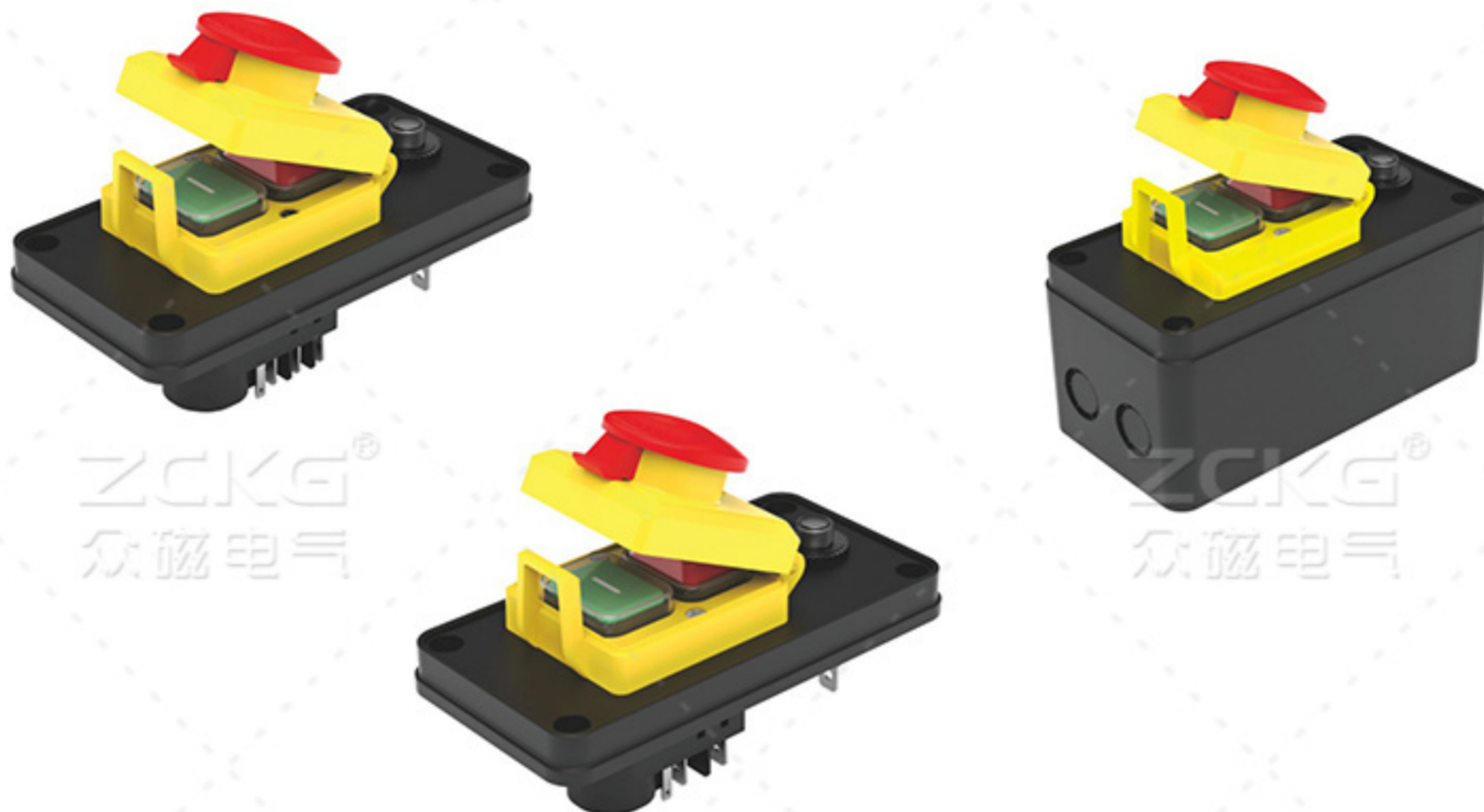


订货选项 ORDERING OPTIONS

系列号 Serial number	电路图 Circuit diagram	线圈电压 Coil voltage	外框颜色 Frame color	按钮颜色标识 Button color indication	附件 Attachments
ZCD-02BR	F1 	V1: 220-250V AC 50Hz/60Hz V2: 100-125V AC 50Hz/60Hz V3: 12V-24V DC V4: 36V-48V DC	Y 黄 Yellow	M1 M2 M3 M4 M5 M6 M7 M8 M9 M10 M11 M12 M13 客户定制 Customization for customers	G1
	F2 				K1
	F3 				K2
	F4 				

ZCD-02BL ELECTROMAGNETIC SWITCH

ZCD-02BL电磁开关



功能

- 断电保护
- 欠压保护
- 在以上基础上可派生以下功能：
 - 1、两极全断开；
 - 2、一极断开带刹车功能；
 - 3、以上两种均可与热保护开关组合使用，即同时具备欠压保护，过载保护等。

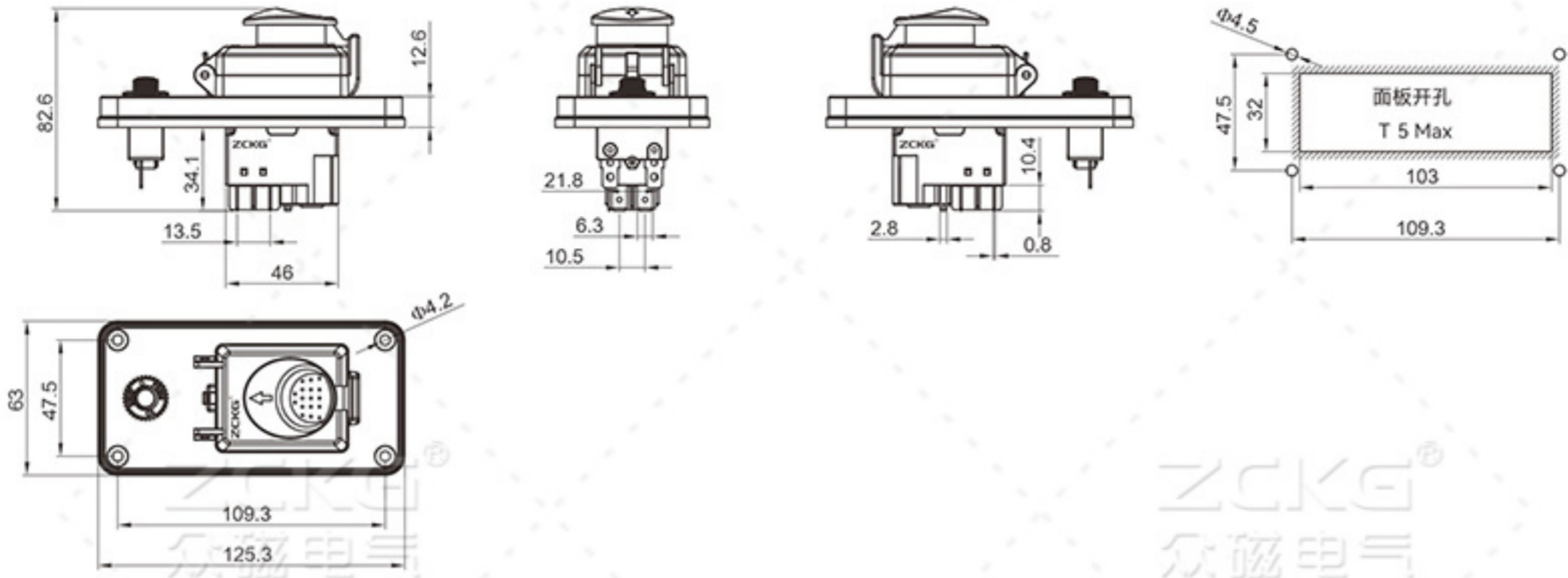
FUNCTIONS

- Power failure protection
- Under-voltage protection
- Based on the above, the following functions can be derived:
 1. Both poles completely disconnected.
 2. One pole disconnected with braking function.
 3. Both of the above can be combined with a thermal protection switch, thus providing under-voltage protection, overload protection, etc., simultaneously.

电压参数 VOLTAGE PARAMETERS

Certification and standard 认证、标准	TUV、CE	TUV、CE		UL、CUL	
Rated voltage 额定电压	250V AC	125V AC	250V AC	120V AC	250V AC
Rated current 额定电流	18(15)A	AC-3: 18A、16A		20(15)A	18(15)A
Voltage 电压	100V-120V、220-250V				
Frequency of use 使用频率	50Hz/60Hz				
Degree of protection 防护等级	IP55				
Appliance lifespan 电器寿命	≥50000次				
Operating temperature 使用温度	T85/55				

参考尺寸 REFERENCE DIMENSION



订货选项 ORDERING OPTIONS

系列号 Serial number	电路图 Circuit diagram	线圈电压 Coil voltage	外框颜色 Frame color	按钮颜色标识 Button color indication	附件 Attachments
ZCD-02BL	F1 	V1: 220-250V AC 50Hz/60Hz V2: 100-125V AC 50Hz/60Hz V3: 12V-24V DC V4: 36V-48V DC	Y 黄 Yellow	M1 M2 M3 M4 M5 M6 M7 M8 M9 M10 M11 M12 M13 客户定制 Customization for customers	G1
	F2 				K1
	F3 				K2
	F4 				

ZCD-02G ELECTROMAGNETIC SWITCH

ZCD-02G电磁开关



功能

- 断电保护
- 欠压保护
- 在以上基础上可派生以下功能：
 - 1、两极全断开；
 - 2、一极断开带刹车功能；
 - 3、以上两种均可与热保护开关组合使用，即同时具备欠压保护，过载保护等。

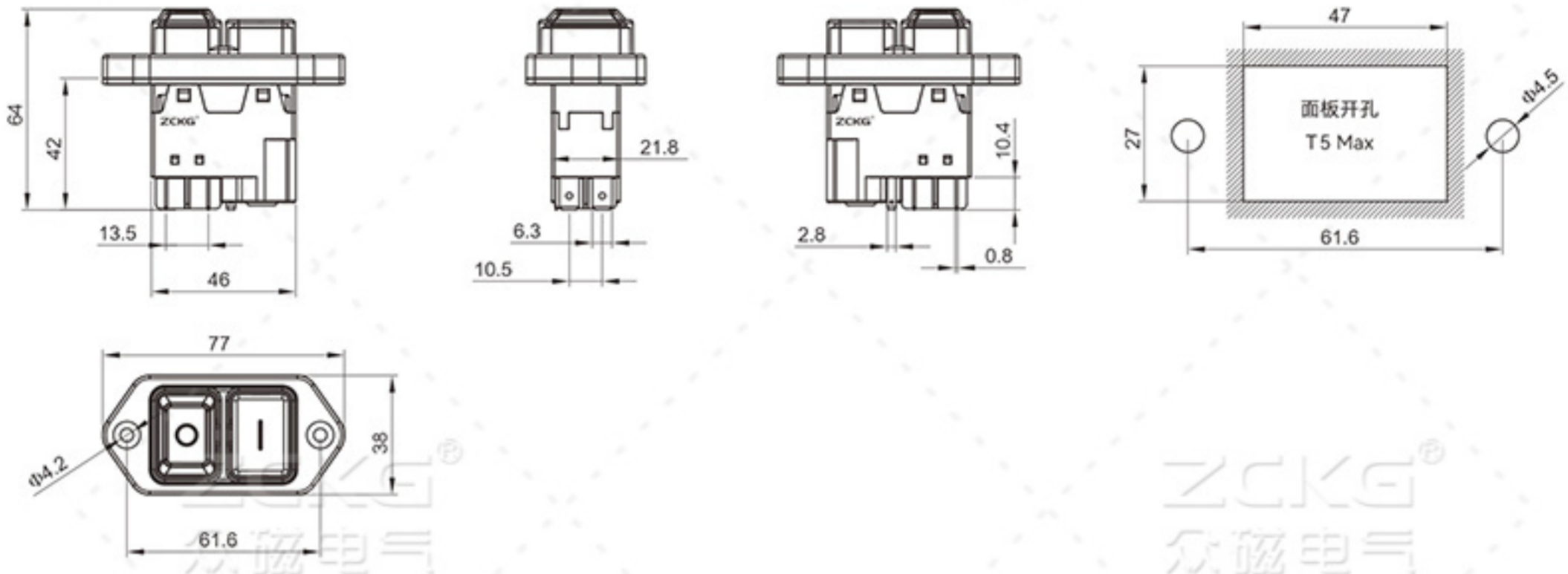
FUNCTIONS

- Power failure protection
- Under-voltage protection
- Based on the above, the following functions can be derived:
 1. Both poles completely disconnected.
 2. One pole disconnected with braking function.
 3. Both of the above can be combined with a thermal protection switch, thus providing under-voltage protection, overload protection, etc., simultaneously.

电压参数 VOLTAGE PARAMETERS

Certification and standard 认证、标准	TUV、CE	TUV、CE		UL、CUL	
Rated voltage 额定电压	250V AC	125V AC	250V AC	120V AC	250V AC
Rated current 额定电流	18(15)A	AC-3: 18A、16A		20(15)A	18(15)A
Voltage 电压	100V-120V、220-250V				
Frequency of use 使用频率	50Hz/60Hz				
Degree of protection 防护等级	IP55				
Appliance lifespan 电器寿命	≥50000次				
Operating temperature 使用温度	T85/55				

参考尺寸 REFERENCE DIMENSION



订货选项 ORDERING OPTIONS

系列号 Serial number	电路图 Circuit diagram	线圈电压 Coil voltage	外框颜色 Frame color	按钮颜色标识 Button color indication	附件 Attachments
ZCD-02G	F1 	V1: 220-250V AC 50Hz/60Hz V2: 100-125V AC 50Hz/60Hz V3: 12V-24V DC V4: 36V-48V DC	B 黑 Black	M1 M2 M3 M4 M5 M6 M7 M8 M9 M10 M11 M12 M13 客户定制 Customization for customers	F1
	F2 				
	F3 		Y 黄 Yellow		
	F4 				

ZCD-02H ELECTROMAGNETIC SWITCH

ZCD-02H电磁开关



ZCKG®
众磁电气



ZCKG®
众磁电气

功能

- 断电保护
- 欠压保护
- 在以上基础上可派生以下功能：
 - 1、两极全断开；
 - 2、一极断开带刹车功能；
 - 3、以上两种均可与热保护开关组合使用，即同时具备欠压保护，过载保护等。

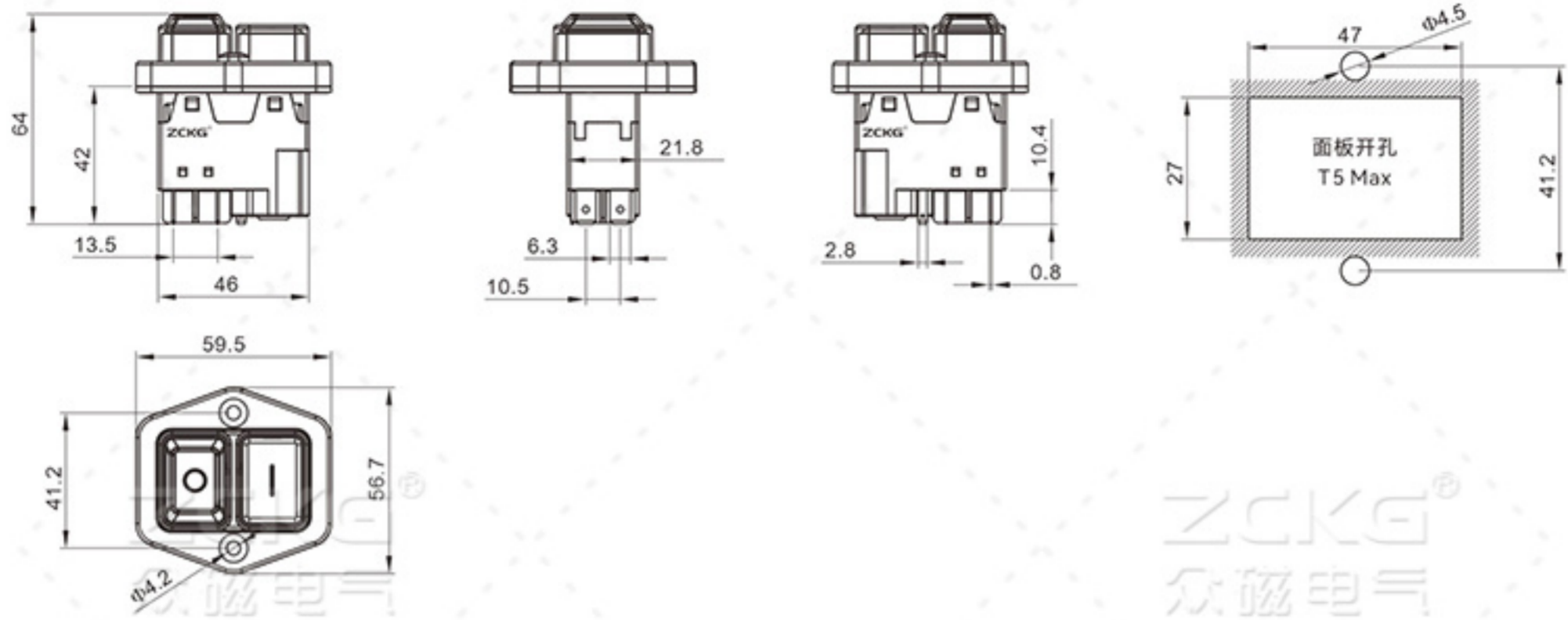
FUNCTIONS

- Power failure protection
- Under-voltage protection
- Based on the above, the following functions can be derived:
 1. Both poles completely disconnected.
 2. One pole disconnected with braking function.
 3. Both of the above can be combined with a thermal protection switch, thus providing under-voltage protection, overload protection, etc., simultaneously.

电压参数 VOLTAGE PARAMETERS

Certification and standard 认证、标准	TUV、CE	TUV、CE		UL、CUL	
Rated voltage 额定电压	250V AC	125V AC	250V AC	120V AC	250V AC
Rated current 额定电流	18(15)A	AC-3: 18A、16A		20(15)A	18(15)A
Voltage 电压	100V-120V、220-250V				
Frequency of use 使用频率	50Hz/60Hz				
Degree of protection 防护等级	IP55				
Appliance lifespan 电器寿命	≥50000次				
Operating temperature 使用温度	T85/55				

参考尺寸 REFERENCE DIMENSION



订货选项 ORDERING OPTIONS

系列号 Serial number	电路图 Circuit diagram	线圈电压 Coil voltage	外框颜色 Frame color	按钮颜色标识 Button color indication	附件 Attachments
ZCD-02H	F1 	V1: 220-250V AC 50Hz/60Hz V2: 100-125V AC 50Hz/60Hz V3: 12V-24V DC V4: 36V-48V DC	B 黑 Black	M1 M2 M3 M4 M5 M6 M7 M8 M9 M10 M11 M12 M13 客户定制 Customization for customers	F1
	F2 				
	F3 		Y 黄 Yellow		
	F4 				

ZCD-03F ELECTROMAGNETIC SWITCH

ZCD-03F电磁开关



ZCKG®
众磁电气

ZCKG®
众磁电气

功能

- 断电保护
- 欠压保护
- 在以上基础上可派生以下功能：
 - 1、两极全断开；
 - 2、一极断开带刹车功能；
 - 3、以上两种均可与热保护开关组合使用，即同时具备欠压保护，过载保护等。

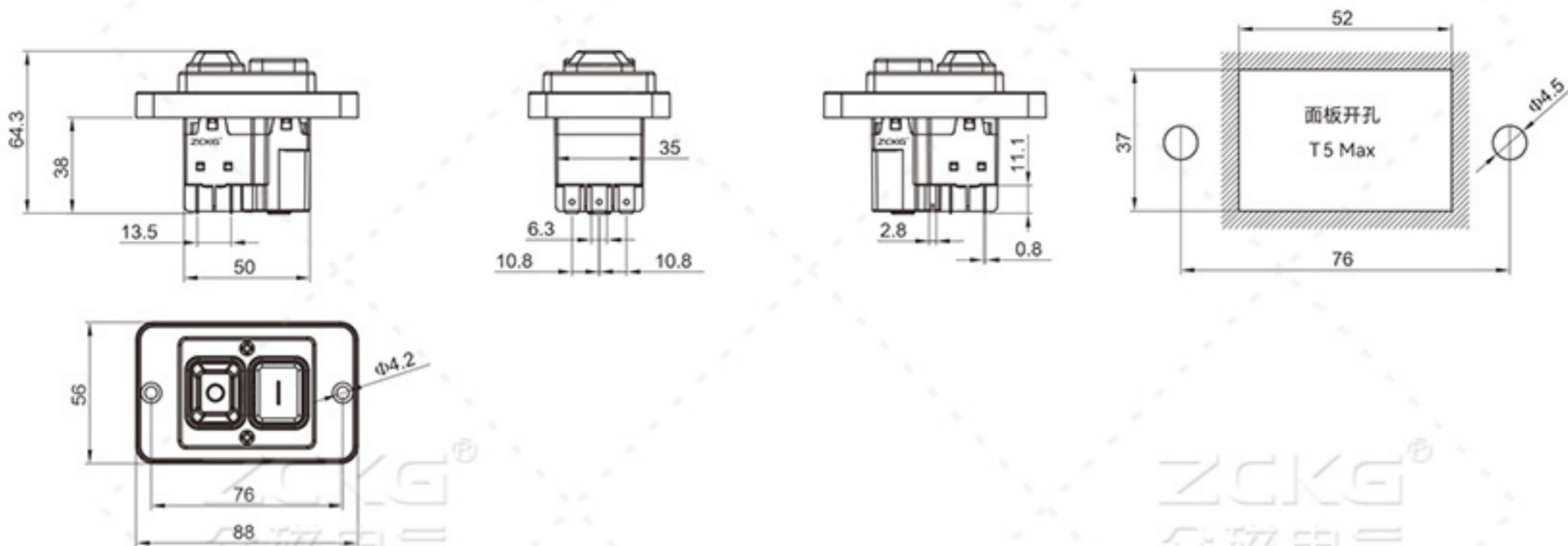
FUNCTIONS

- Power failure protection
- Under-voltage protection
- Based on the above, the following functions can be derived:
 1. Both poles completely disconnected.
 2. One pole disconnected with braking function.
 3. Both of the above can be combined with a thermal protection switch, thus providing under-voltage protection, overload protection, etc., simultaneously.

电压参数 VOLTAGE PARAMETERS

Certification and standard 认证、标准	TUV、CE	TUV、CE
Rated voltage 额定电压	400V AC	400V AC
Rated current 额定电流	15(10)A	AC-3 : 12A、10A
Voltage 电压	100-120V、220-250V、380-400V	
Frequency of use 使用频率	50Hz/60Hz	
Degree of protection 防护等级	IP55	
Appliance lifespan 电器寿命	≥50000次	
Operating temperature 使用温度	T85/55	

参考尺寸 REFERENCE DIMENSION



订货选项 ORDERING OPTIONS

系列号 Serial number	电路图 Circuit diagram	线圈电压 Coil voltage	外框颜色 Frame color	按钮颜色标识 Button color indication	附件 Attachments
ZCD-03F	F1 	V1: 380-400V AC 50Hz/60Hz V2: 220-250V AC 50Hz/60Hz V3: 100-125V AC 50Hz/60Hz	B 黑 Black	M1 M2 M3 M4 ON OFF M5 ON OFF M6 OFF M7 M8 M9 M10 ON OFF M11 ON OFF M12 OFF M13 客户定制 Customization for customers	G1
	F2 		Y 黄 Yellow		

ZCD-03B ELECTROMAGNETIC SWITCH

ZCD-03B电磁开关



功能

- 断电保护
- 欠压保护
- 在以上基础上可派生以下功能：
 - 1、两极全断开；
 - 2、一极断开带刹车功能；
 - 3、以上两种均可与热保护开关组合使用，即同时具备欠压保护，过载保护等。

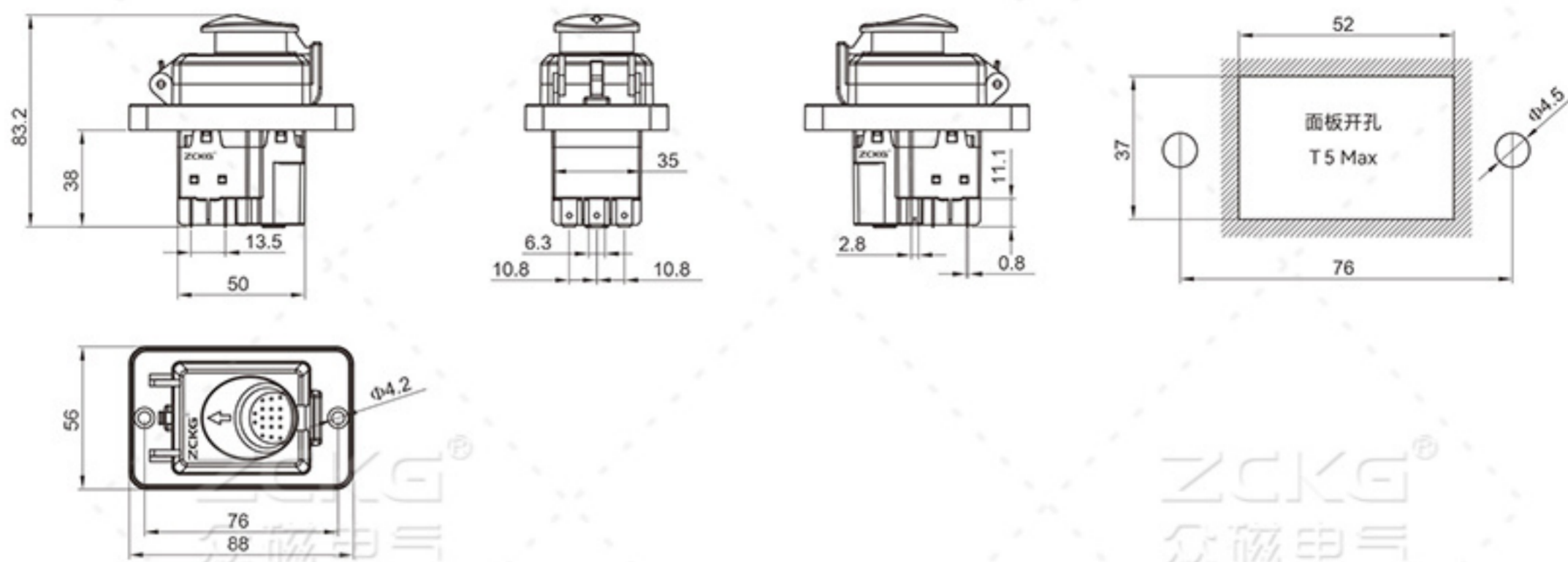
FUNCTIONS

- Power failure protection
- Under-voltage protection
- Based on the above, the following functions can be derived:
 1. Both poles completely disconnected.
 2. One pole disconnected with braking function.
 3. Both of the above can be combined with a thermal protection switch, thus providing under-voltage protection, overload protection, etc., simultaneously.

电压参数 VOLTAGE PARAMETERS

Certification and standard 认证、标准	TUV、CE	TUV、CE
Rated voltage 额定电压	400V AC	400V AC
Rated current 额定电流	15(10)A	AC-3 : 12A、10A
Voltage 电压	100-120V、220-250V、380-400V	
Frequency of use 使用频率	50Hz/60Hz	
Degree of protection 防护等级	IP55	
Appliance lifespan 电器寿命	≥50000次	
Operating temperature 使用温度	T85/55	

参考尺寸 REFERENCE DIMENSION

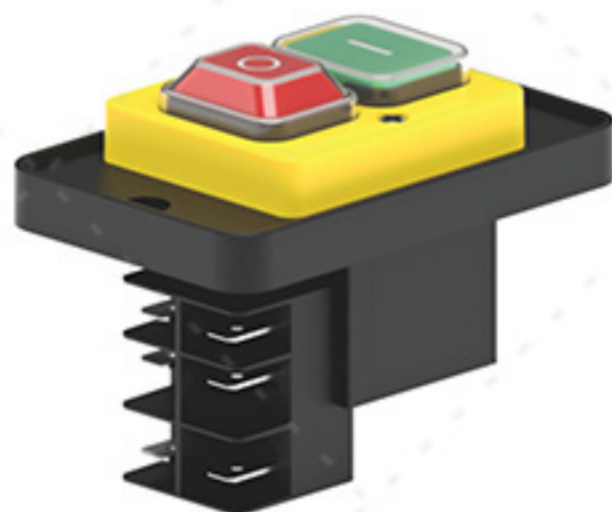


订货选项 ORDERING OPTIONS

系列号 Serial number	电路图 Circuit diagram	线圈电压 Coil voltage	外框颜色 Frame color	按钮颜色标识 Button color indication	附件 Attachments
ZCD-03B	F1 	V1: 380-400V AC 50Hz/60Hz V2: 220-250V AC 50Hz/60Hz V3: 100-125V AC 50Hz/60Hz	Y 黄 Yellow	M1 M2 M3 M4 ON OFF M5 ON OFF M6 OFF OFF M7 OFF OFF M8 OFF OFF M9 OFF OFF M10 ON OFF M11 ON OFF M12 OFF OFF M13 客户定制 Customization for customers	G1
	F2 				

ZCD-04F ELECTROMAGNETIC SWITCH

ZCD-04F电磁开关



ZCKG®
众磁电气

ZCKG®
众磁电气

功能

- 断电保护
- 欠压保护
- 在以上基础上可派生以下功能：
 - 1、两极全断开；
 - 2、一极断开带刹车功能；
 - 3、以上两种均可与热保护开关组合使用，即同时具备欠压保护，过载保护等。

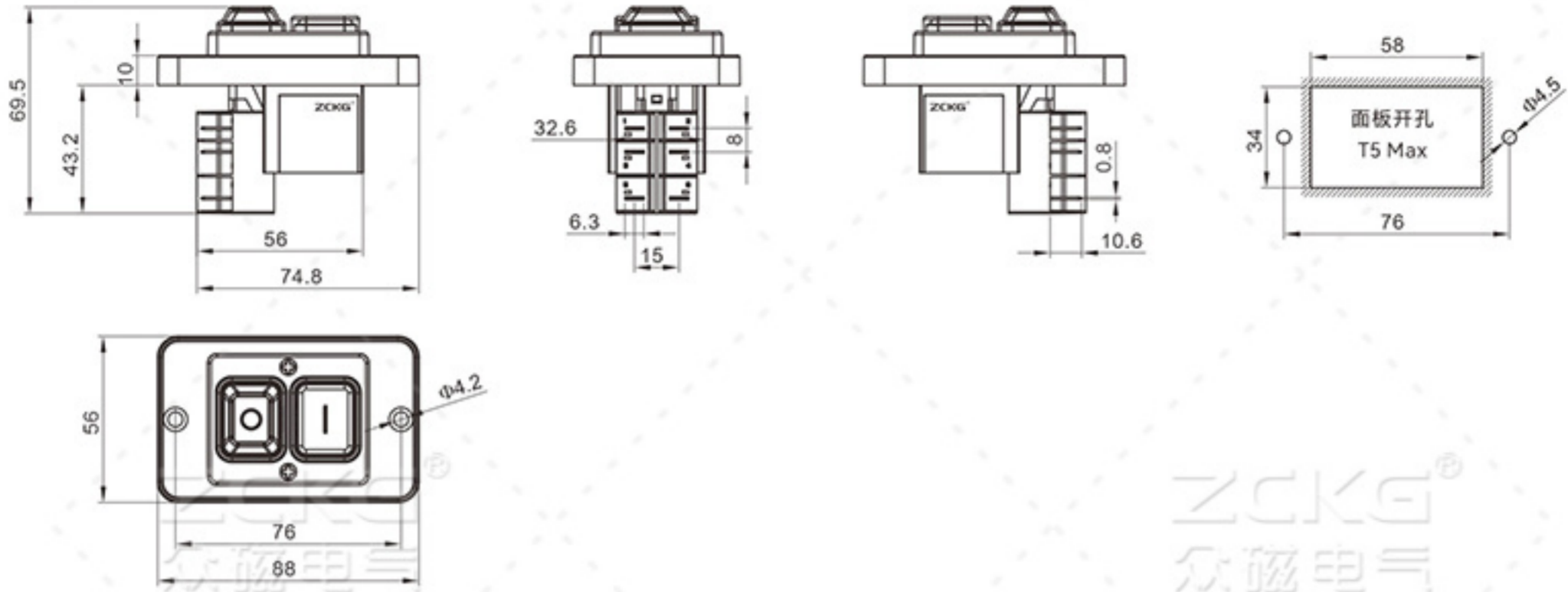
FUNCTIONS

- Power failure protection
- Under-voltage protection
- Based on the above, the following functions can be derived:
 1. Both poles completely disconnected.
 2. One pole disconnected with braking function.
 3. Both of the above can be combined with a thermal protection switch, thus providing under-voltage protection, overload protection, etc., simultaneously.

电压参数 VOLTAGE PARAMETERS

Certification and standard 认证、标准	TUV、CE	TUV、CE		UL、CUL	
Rated voltage 额定电压	250V AC	125V AC	250V AC	120V AC	250V AC
Rated current 额定电流	18(15)A	AC-3: 18A、16A		20(15)A	18(15)A
Voltage 电压	100V-120V、220-250V				
Frequency of use 使用频率	50Hz/60Hz				
Degree of protection 防护等级	IP55				
Appliance lifespan 电器寿命	≥50000次				
Operating temperature 使用温度	T85/55				

参考尺寸 REFERENCE DIMENSION

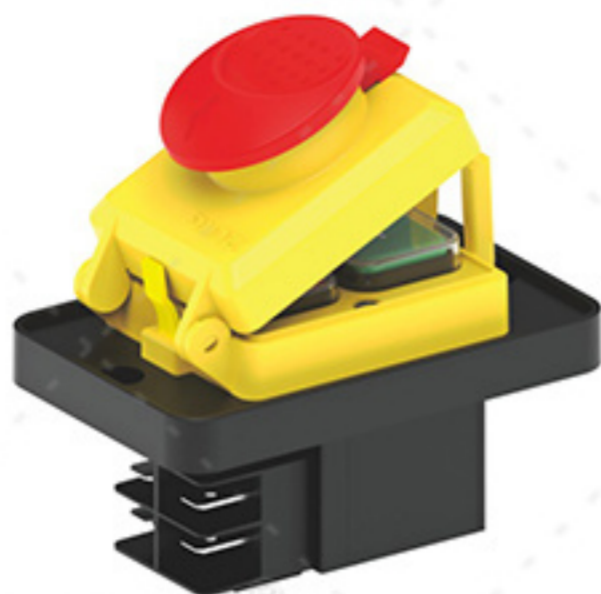


订货选项 ORDERING OPTIONS

系列号 Serial number	电路图 Circuit diagram	线圈电压 Coil voltage	外框颜色 Frame color	按钮颜色标识 Button color indication	附件 Attachments
ZCD-04F	F1 	V1: 220-250V AC 50Hz/60Hz V2: 100-125V AC 50Hz/60Hz V3: 12V-24V DC V4: 36V-48V DC	B 黑 Black	M1 M2 M3 M4 M5 M6 M7 M8 M9 M10 M11 M12 M13 客户定制 Customization for customers	G1
	F2 		Y 黄 Yellow		

ZCD-04B ELECTROMAGNETIC SWITCH

ZCD-04B电磁开关



功能

- 断电保护
- 欠压保护
- 在以上基础上可派生以下功能：
 - 1、两极全断开；
 - 2、一极断开带刹车功能；
 - 3、以上两种均可与热保护开关组合使用，即同时具备欠压保护，过载保护等。

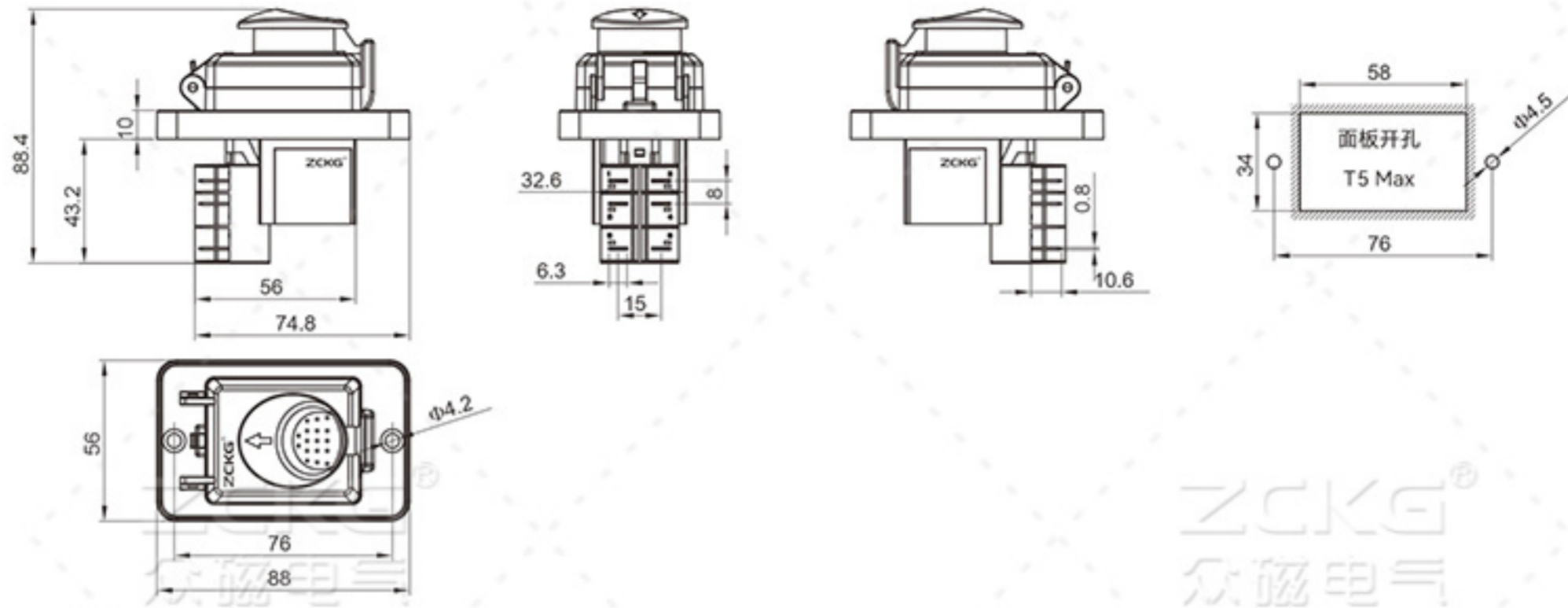
FUNCTIONS

- Power failure protection
- Under-voltage protection
- Based on the above, the following functions can be derived:
 1. Both poles completely disconnected.
 2. One pole disconnected with braking function.
 3. Both of the above can be combined with a thermal protection switch, thus providing under-voltage protection, overload protection, etc., simultaneously.

电压参数 VOLTAGE PARAMETERS

Certification and standard 认证、标准	TUV、CE	TUV、CE		UL、CUL	
Rated voltage 额定电压	250V AC	125V AC	250V AC	120V AC	250V AC
Rated current 额定电流	18(15)A	AC-3: 18A、16A		20(15)A	18(15)A
Coil voltage 线圈电压	100V-120V、220-250V				
Frequency of use 使用频率	50Hz/60Hz				
Degree of protection 防护等级	IP55				
Appliance lifespan 电器寿命	≥50000次				
Operating temperature 使用温度	T85/55				

参考尺寸 REFERENCE DIMENSION



订货选项 ORDERING OPTIONS

系列号 Serial number	电路图 Circuit diagram	线圈电压 Coil voltage	外框颜色 Frame color	按钮颜色标识 Button color indication	附件 Attachments
ZCD-04B	F1 	V1: 220-250V AC 50Hz/60Hz V2: 100-125V AC 50Hz/60Hz V3: 12V-24V DC V4: 36V-48V DC	Y 黄 Yellow	M1 M2 M3 M4 OFF M5 OFF M6 OFF M7 M8 M9 M10 OFF M11 OFF M12 OFF M13 客户定制 Customization for customers	G1
	F2 				

ZCK-01 TOGGLE SWITCH

ZCK-01 跷板开关



功能、用途

- 大电流通断开关
- 广泛应用于切割机、无尘锯、台钻、砂轮机、升降设备等



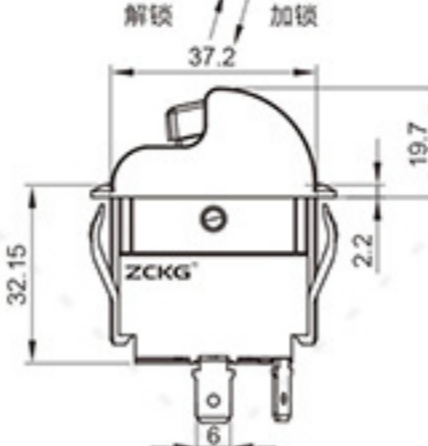
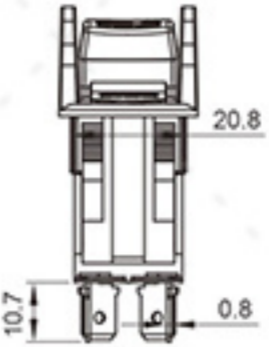
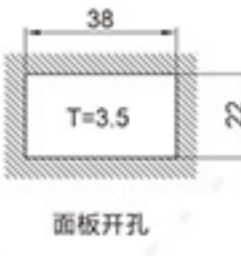
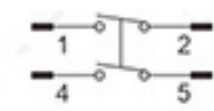
FUNCTIONS, PURPOSE

- High-current on-off switch
- Widely used in cutting machines, dust-free saws, bench drills, grinders, lifting equipment, etc.

电压参数 VOLTAGE PARAMETERS


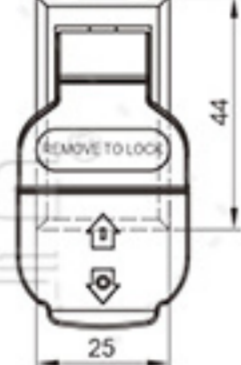
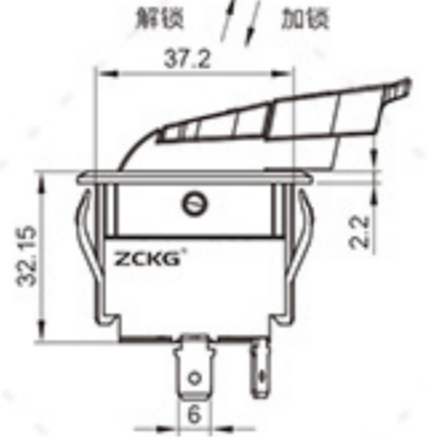
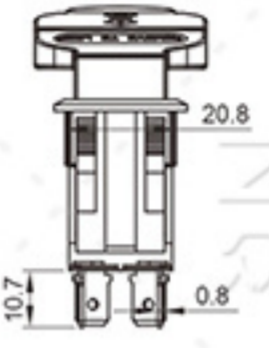
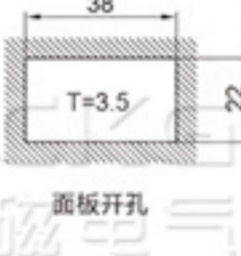
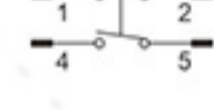
Certification and standard 认证、标准	CQC、CE、CB、TUV		
Rated voltage 额定电压	36/48V DC	125V AC	250V AC
Rated current 额定电流	20A	20(15)A	
Frequency of use 使用频率	50Hz/60Hz		
Degree of protection 防护等级	IP55		
Appliance lifespan 电器寿命	≥50000次		
Operating temperature 使用温度	T85/55、T105/55		

ZCK-01


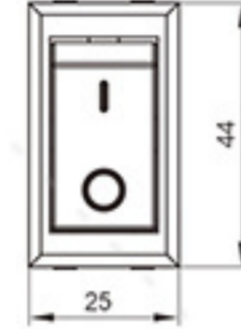
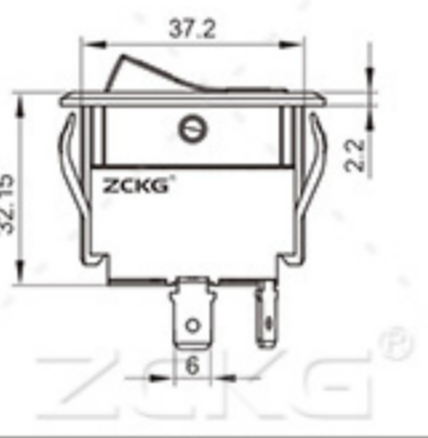
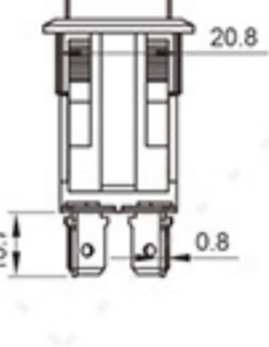

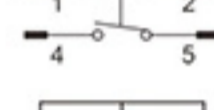
ON	OFF
1-2	OFF
4-5	OFF

ZCK-01B


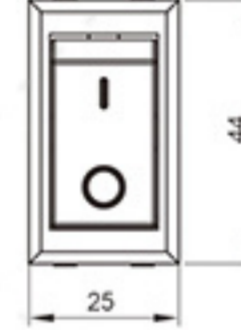
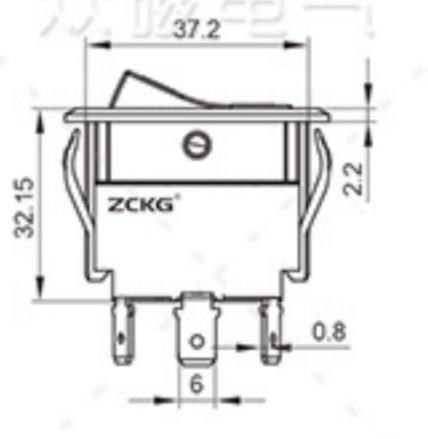
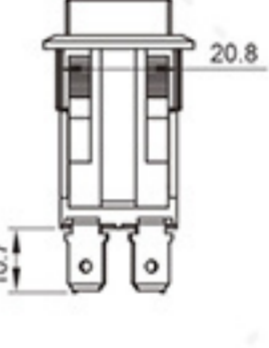


ON	OFF
1-2	OFF
4-5	OFF

ZCK-01C


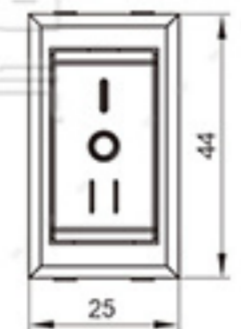
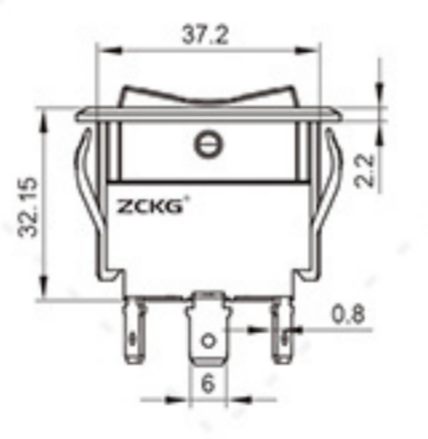
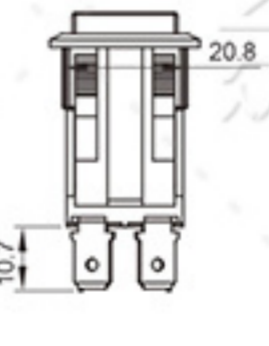


ON	OFF
1-2	OFF
4-5	OFF

ZCK-01C-6P


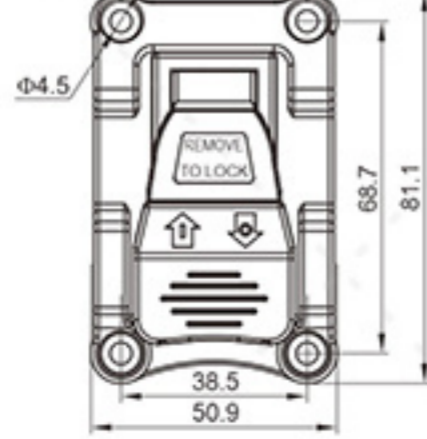
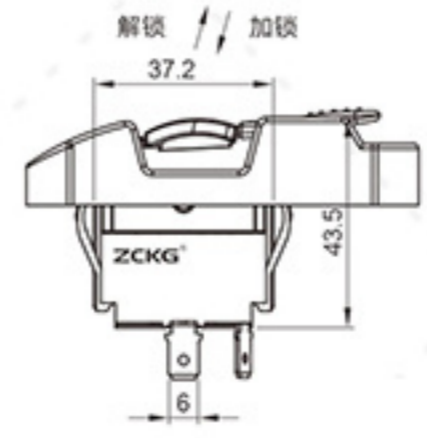
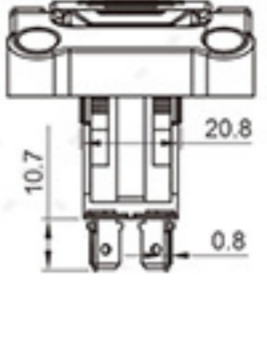
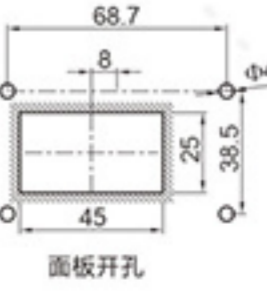

ON	ON
1-2	2-3
4-5	5-6

ZCK-01C-D

—	○	≡
1-2	OFF	2-3
4-5	OFF	5-6

ZCK-01D

ON	OFF
1-2	OFF
4-5	OFF

ZCK-02 TOGGLE SWITCH

ZCK-02 跷板开关



功能、用途

- 大电流通断开关
- 广泛应用于套丝机、台式剥线机、切割机、无尘锯、台钻、砂轮机、商用食品设备等

FUNCTIONS, PURPOSE

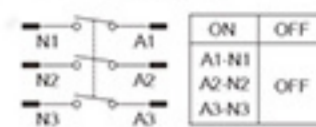
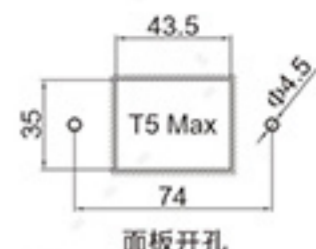
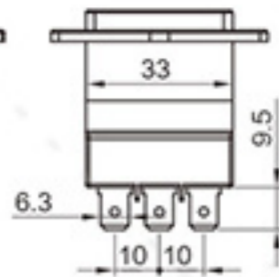
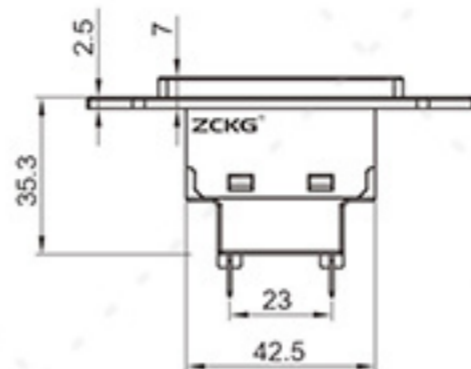
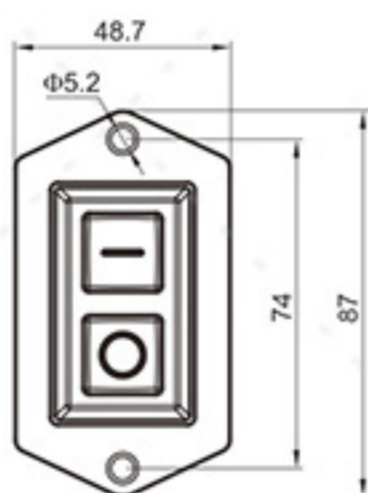
- High-current switch
- Widely used in threading machines, desktop wire strippers, cutting machines, dust-free saws, bench drills, grinders, commercial food equipment, etc.

电压参数 VOLTAGE PARAMETERS

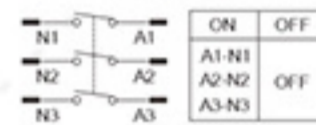
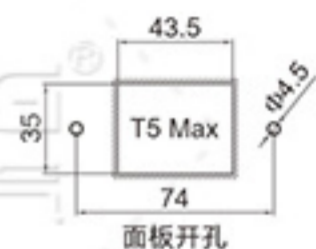
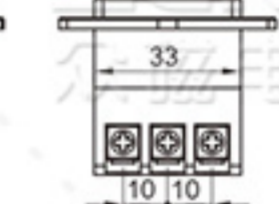
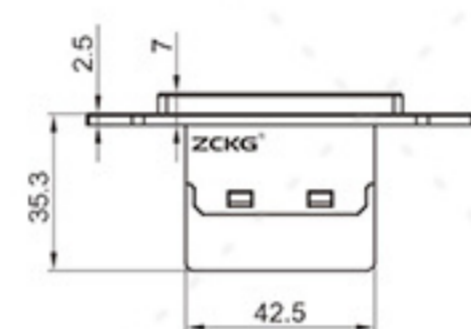
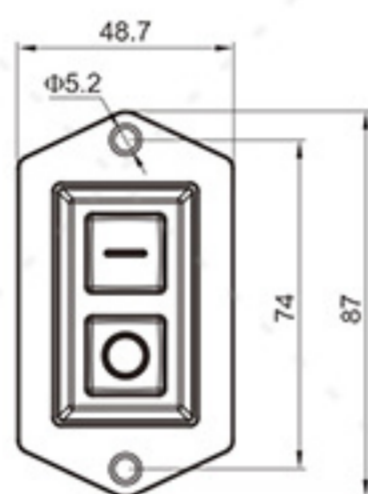
Certification and standard 认证、标准	CQC、CB、CE		
Rated voltage 额定电压	125V AC	250V AC	400V AC
Rated current 额定电流	20(14)A	16(10)A	12A
Frequency of use 使用频率	50Hz/60Hz		
Degree of protection 防护等级	IP55		
Appliance lifespan 电器寿命	≥50000次		
Operating temperature 使用温度	T85/55、T105/55		

按钮颜色标识 BUTTON COLOR INDICATION

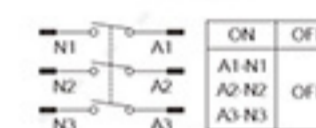
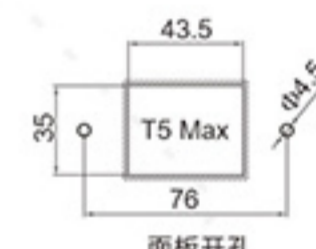
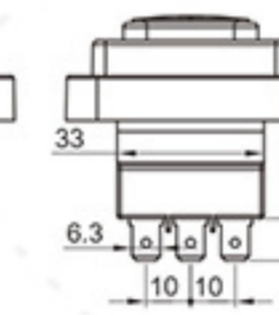
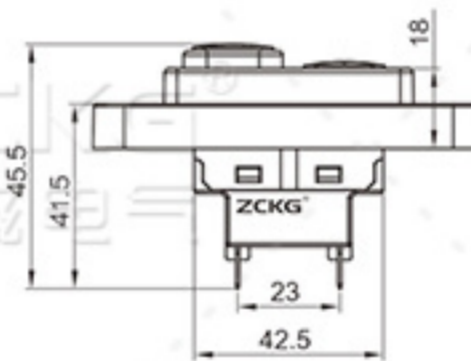
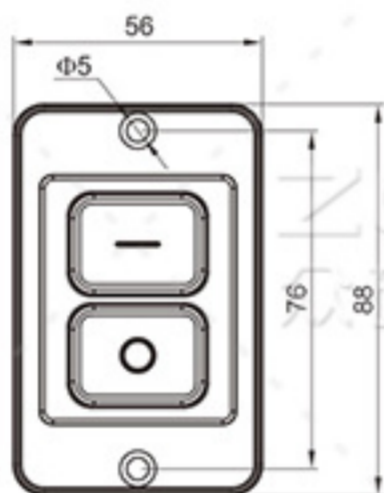
M1 	M4 	M7 	M10
M2 	M5 	M8 	M11
M3 	M6 	M9 	M12



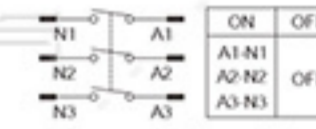
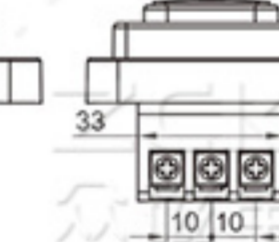
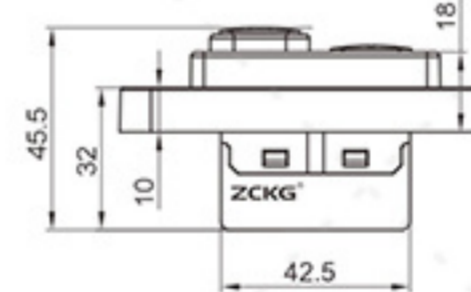
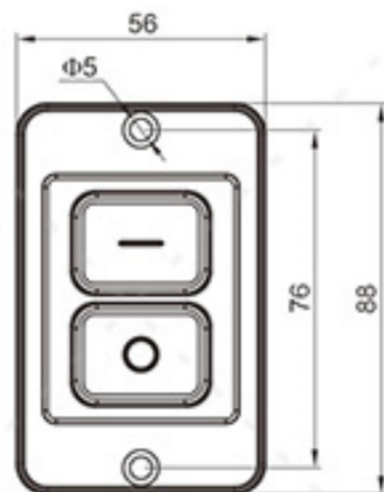
ZCK-02B



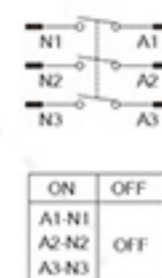
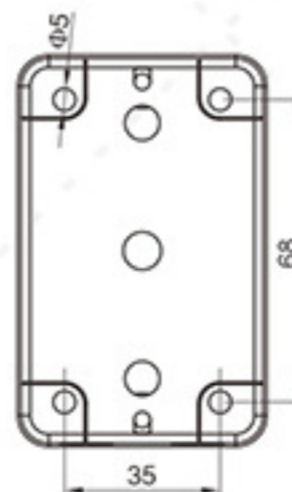
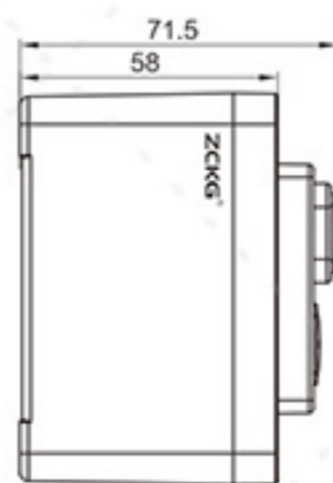
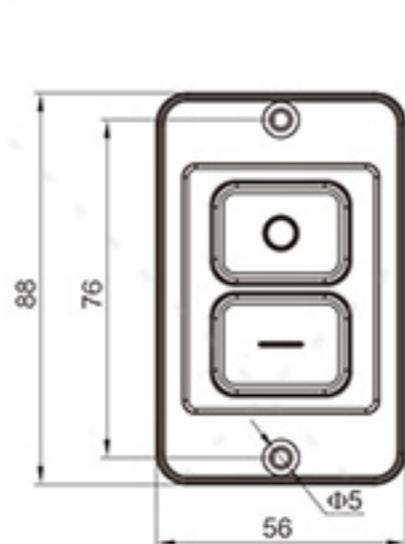
ZCK-02BL



ZCK-02



ZCK-02L



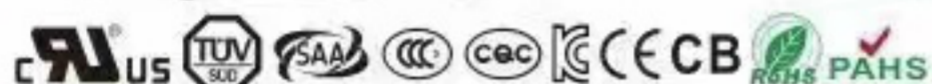
ZCK-02LG1

Lisa Wu



Wechat

YUEQING ZHONGCI ELECTRIC CO.,LTD.
YUEQING JINGHAN ELECTRONIC CO.,LTD.



Puqi Special Industry Park, Yueqing City, Zhejiang province, China.

E-mail: jhswitch@jinghanele.com

Mob: +86-18367813809



ZCKG[®]

Professional manufacturer of electromagnetic switches, desktop tool switches, rocker switches, push button switches, micro switches, overload switches, toggle switches

