

YW-16

WATERPROOF CONNECTOR

INTRODUCTION

YW-16 connectors meet 16MM hole size, the power and signal transmission through distribution and 5A and 10A current, shell of zinc alloy design, more in line with the signal transmission shielding requirements, widely used in industrial LEDscreen design, audio and video transmission and other industrial equipment .



Female socket (french)



Male plug



Protective cover

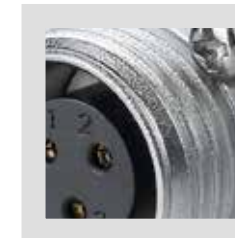
- 1: All zinc alloy shell, complete with electromagnetic and radio frequency interference protection, while meeting the needs of high-end products to match
- 2: Outer screw locking device, a solid safety
- 3: 16MM mounting dimensions
- 4: Quick and easy nut locking system design
- 5: Hanging dust cover design avoid matters; high safe performance, easy to operate
- 6: 5-10A rms rated current
- 7: Slip-resistant outer circle



Waterproof clamping circle



Zinc alloy thread and gold-plated copper contact





screw lock design



non-slip screw design

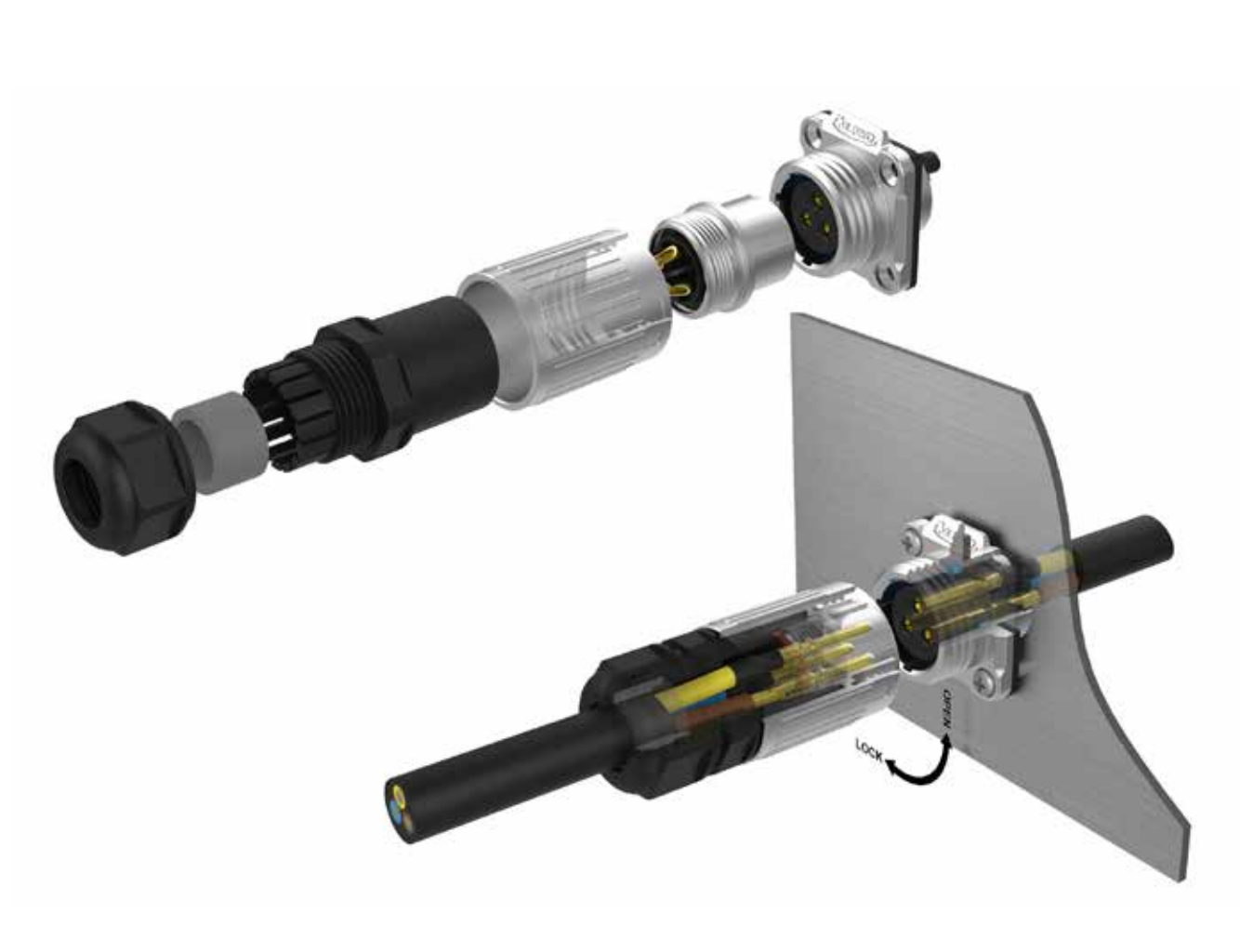
YW-16SERIES SPECIFICATIONS SHEET

PINS		3PINS	9PINS
PICTURE AND PART NO.	Male plug& Female socket	 YW-16-C03PE-02-001 male plug  YW-16-J03SX-02-001 female socket (french)	 YW-16-C09PE-02-001 male plug  YW-16-J09SX-03-001 female socket (french)
	Female plug& Male socket	 YW-16-J03PE-02-001 female plug  YW-16-C03SX-02-001 male socket (french)	 YW-16-J09PE-02-001 female plug  YW-16-C09SX-03-001 male socket (french)

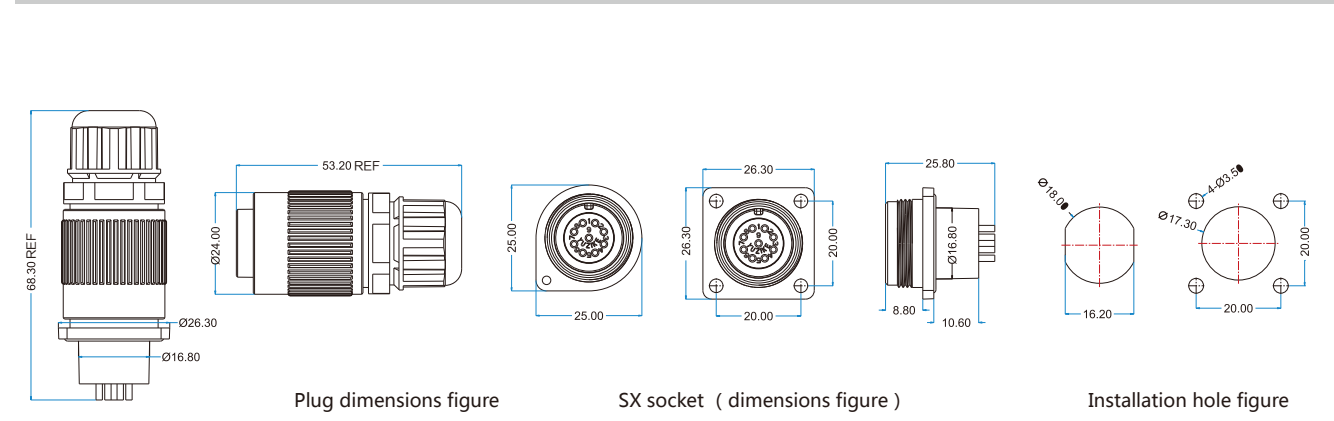
		
Cable specification	1.0m ^m ~ 1.5m ^m /18 ~ 16 AWG	0.15m ^m ~ 0.2m ^m /26-24 AWG
Diameter range	Φ3mm ~ Φ7mm	Φ5.5mm ~ Φ7mm
Contact diameter × number	Φ1.5×3	Φ1.0×9
Rated Current (A)	10A	5A
Operating voltage (AC.V.rms)	500V	400V
Contact resistance	<2.5mΩ	<5mΩ
Temperature rise	10A contact temperature below 30°C , 12A.....40°C↓ , 15A.....50°C↓.	
Withstanding Voltage (AC.V) 1 minute	2500V	1500V
Insulation resistance	> 500MΩ	> 500MΩ
Protection level	IP65/IP67	IP65/IP67
Durability	> 500 times	> 500 times
Working temperature	-40°C ~ 80°C	-40°C ~ 80°C
Connecting mode	Screw connect	Screw connect
Assembly wire	Soldering/Crimping	Soldering/Crimping

MATERIALS	
Housing&insulation parts	High-performance engineering plastics
Hardware	Zinc alloy (pearl hard chrome)
Cooper pins	Copper alloy (gold-plated 4U)
Waterproof cover	Silica gel
Flammability rating	UL94-V0

CONNECTION SCHEMES



DIMENSION FIGURE



Dimensions figure