

CONNECTION SCHEMES



Power plug

power socket

waterproof cover

- 1: Lockable 3 pole equipment (AC) connector with contacts for line, neutral and pre-mating safety ground
- 2: High current capacity, rated at 20A/250V ac
- 3: Color coded for easy identification, powercon offers power-in(blue) and power-out(gray) versions with different keying to avoid the possibility of intermating
- 4: Fast and easy locking system
- 5: Extremely robust and reliable
- 6: New latch design for easier handling and secure locking
- 7: IP44/IP65 are optional
- 8: Rated current: 20A rms



YF power converter(gray) (Right IP44)



YF power converter(blue) (Left IP44)



Quick lock



locking area on chassis connector

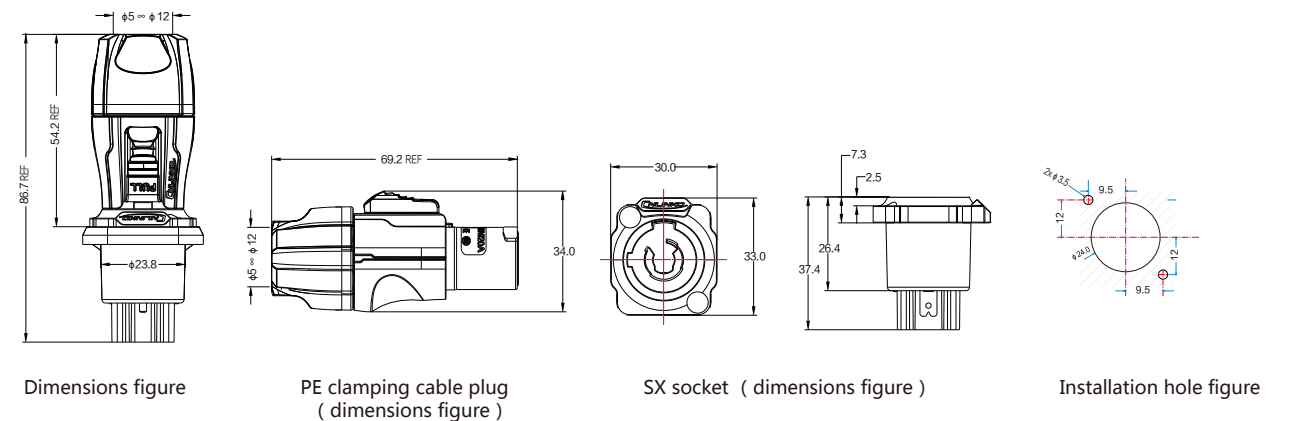


locking area on chassis connector



waterproof grommet

DIMENSION FIGURE



Dimensions figure

PE clamping cable plug (dimensions figure)

SX socket (dimensions figure)

Installation hole figure

YF-24 SERIES SPECIFICATIONS SHEET

PICTURE AND PART NO. Female plug & Male socket	<p>YF-24-J03PE-06-001 Female plug(IP44)</p>	<p>YF-24-J03PE-04-001 Female plug(IP65)</p>	<p>YF-24-C03PE-03-001 Male plug(IP44)</p>	<p>YF-24-C03PE-04-001 Male plug (IP65)</p>
	<p>YF-24-C03SX-06-001 Male socket(IP44)</p>	<p>YF-24-C03SX-04-001 Male socket(IP65)</p>	<p>YF-24-J03SX-03-001 Female socket (IP44)</p>	<p>YF-24-J03SX-04-001 Female socket(IP65)</p>
	<p>YF-24-C03SX-01-200 power converter(Gray)</p>	<p>YF-24-J03SX-01-200 YF power converter(Blue)</p>	<p>YF-24-J03SX-03-200 YF power converter (Gray+Blue IP44)</p>	

Cable specification	2.5mm ² ~ 4mm ² / 14 ~ 12 AWG	2.5mm ² / 14 AWG	2.5mm ² ~ 4mm ² / 14 ~ 12 AWG
Diameter range	Φ8mm ~ Φ12mm	Φ8mm ~ Φ10mm	Φ8mm ~ Φ12mm
Contact diameter × number	Φ2.0×3		Φ2.0×3
Rated Current (A)	20A		20A
Operating voltage (AC.V.rms)	500V		500V
Contact resistance	< 3mΩ		< 3mΩ
Temperature rise	20A contact temperature below 30°C 25A.....40°C↓ , 30A.....50°C↓.		12A.....30°C↓ , 15A.....40°C↓ , 20A.....50°C↓.
Withstanding Voltage (AC.V) 1 minute	2500V		2500V
Insulation resistance	> 500MΩ		> 500MΩ
Protection level	IP44		IP44
Durability	> 500times		> 500times
Working temperature	-40°C ~ 80°C		-40°C ~ 80°C
Connecting mode	Easy locking type		Easy locking type
Assembly wire	Soldering		Soldering
MATERIALS			
Housing&insulation parts	High-performance engineering plastics		High-performance engineering plastics
Hardware	Zinc alloy (pearl hard chrome)		Zinc alloy (pearl hard chrome)
Cooper pins	Copper alloy (gold-plated 4U)		Copper alloy (gold-plated 4U)
Waterproof cover	Silica gel		Silica gel
Flammability rating	UL94-V0		UL94-V0