

Highlight LED Metal signal indicator light



Model: WD-L series



High brightness

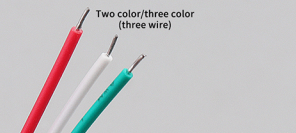


Waterproof



Customizable in two or three colors Common cathode, common anode

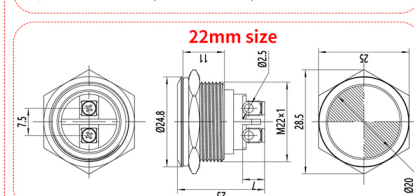
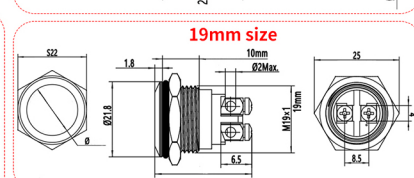
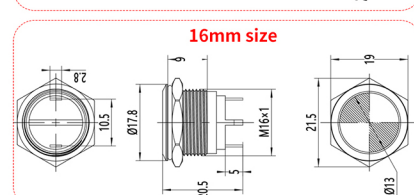
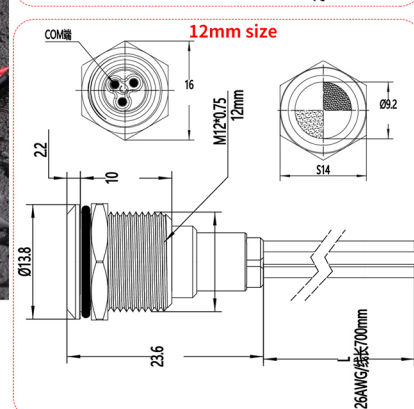
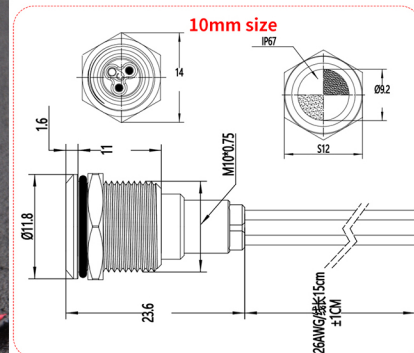
Customization can be selected according to needs
Single color/dual color/three color options



Wire model: 26AWG
The default line length is 15CM (customizable line length)
Note: The default shipping color and line length are 15CM
Need to customize the thread length two color, three color contact customer service

Efficient waterproof up to IP67

After rigorous testing the waterproof performance is strong



Multiple styles available We have everything you want

Complete specifications and diverse styles
Available in wired and wireless versions



Product parameters and dimensions	
LED Voltage	3V~220V/AC/DC
LED current	3mA~20mA
Glow color	Red Yellow Blue Green White
Work environment	-30°C~+85°C
Connection	Lead wire 26AWG
Waterproof grade	IP67
Protection grade	IK10
Lamp bead lifespan	40000 hours
Compressive strength	1900AVmin
Opening diameter	6~22MM

Luminous diameter pilot lamp

Better conductivity and longer lifespan



Increase aperture
More obvious indication

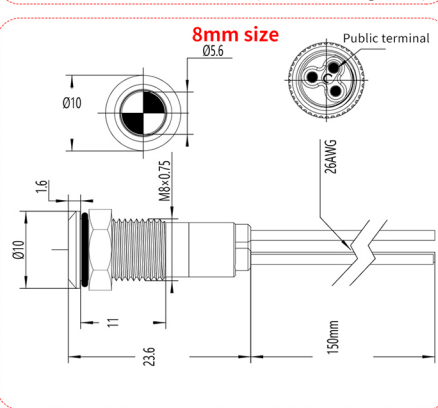
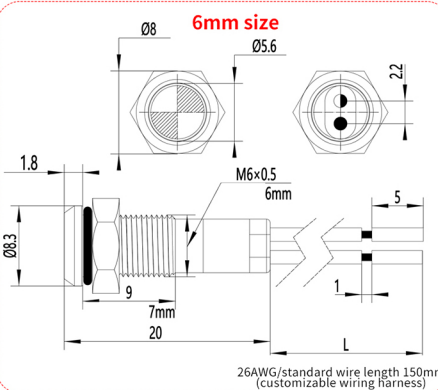
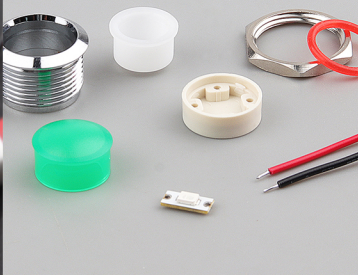


High temperature resistant base
Flame retardant and high-temperature resistant



Product disassembly diagram Exquisite workmanship and exquisite materials

Quality assurance ensures that every aspect
Exquisite in every detail



Authoritative certification and quality assurance

SGS CE CCC TÜV Rheinland