

WANDU 万度®

28B

Series Metal Button Switch



WD28B SERIES METAL BUTTON SWITCH

Support a maximum current of 5A/250VAC.
The diameter of the button at the operation position is increased,
which provides advanced self-locking performance and comfortable
operation feeling.

28MM INITIAL HOLE DIAMETER | 1N01NC | 2N02NC



MECHANICAL LIFE IS UP TO
500,000 TIMES

PRECISION - ELEGENCE

Have super metal texture, high-grade appearance design, and
increased ability to resist welding deformation.

- BOTH DC & AC
- BUILT-IN WATERPROOF RINGS
- ELECTRODELESS LAMP BEADS
- MULTIPLE LUMINOUS COLORS
- POWERFUL LOAD
- BUTTON STEP-DOWN RESISTANCE



HIGH QUALITY LED LAMP BEADS

Frosted lamp rings, Soft and highlighted light. Voltage can be
selected at will, and multiple luminous colors can be customized.

- RED
- GREEN
- YELLOW
- BLUE
- WHITE



PROTECTION AND SAFETY NEW BREAKTHROUGH

All-round upgrade in waterproof grade, Resistance to high-intensity
work. Optimized material, Stable performance, Easy to deal with all
kinds of working environments.
Corrosion resistance, high temperature resistance, high flame
retardancy, long service life. Waterproof grade up to IP67



HIGH TEMPERATURE RESISTANCE, HIGH FLAME RETARDANCY

WORKING ENVIRONMENT:
-30°C ~ +80°C



PA66
Enhanced high
flame retardancy

EXQUISITE WORKMANSHIP ADVANCED TECHNOLOGY

CHOOSE HIGH-QUALITY MATERIALS, CREATE BY HEART
ENSURE EVERY DETAIL, ONLY FOR HIGH QUALITY...



SUPPORTS FREE SAMPLES

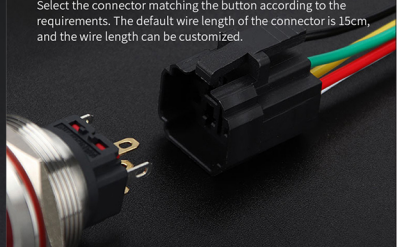
Samples can be provided free of charge according to customer specifications.
Custom-made types: Light-transmitting button pattern, laser inscription, wire
length, special shape, various BH.
Sample requirements: customers should understand the product specifications
and requirements at first, and cooperate to provide sample drawings; we also
support customized two-dimensional drawings.



RETURN, REFUND AND
REPLACEMENT ARE
NOT SUPPORTED
FOR CUSTOMIZED
PRODUCTS.
WARM TIP

HIGH-QUALITY CONNECTOR MAKES CONNECTION MORE CONVENIENT

0.5 mm² international copper wire.
Select the connector matching the button according to the
requirements. The default wire length of the connector is 15cm,
and the wire length can be customized.



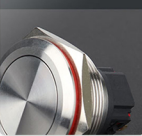
FINE WORKMANSHIP GREAT MATERIAL

Concentrate on the products, Good quality can stand the test

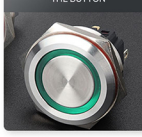
COPPER GOLD PLATING PIN
INCREASE SILVER CONTACT



PRECISION NC MACHINING
304 STAINLESS STEEL CASE



304 STAINLESS STEEL BUTTON
INCREASE THE APERTURE OF
THE BUTTON



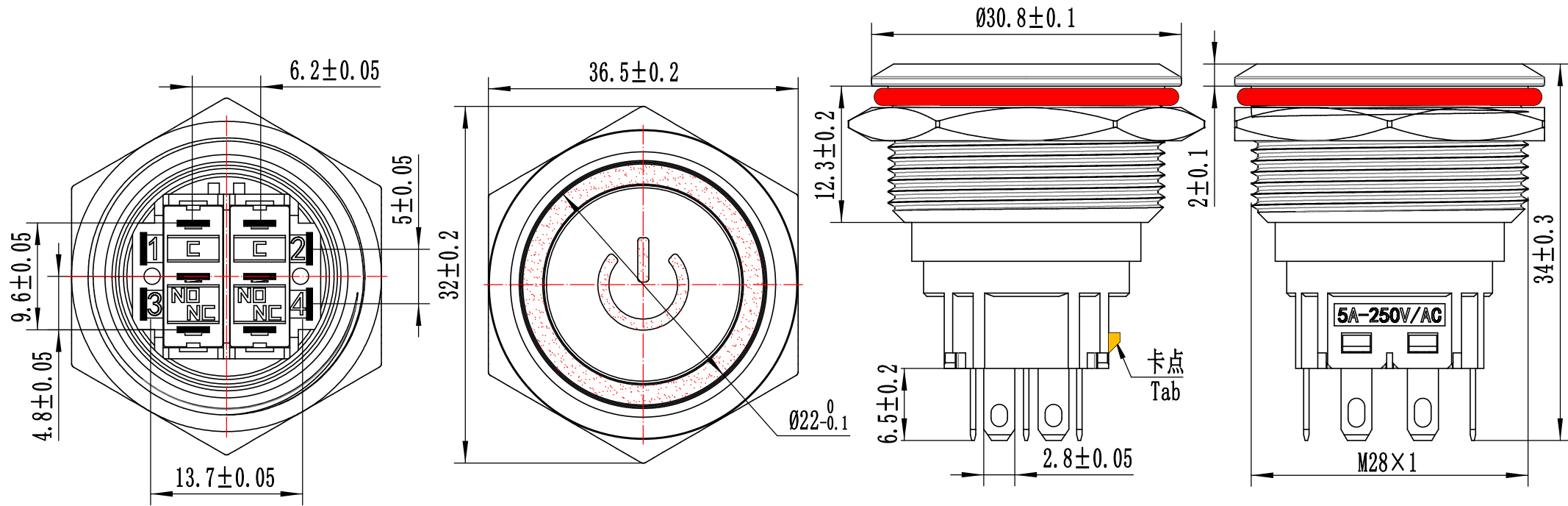
ENVIRONMENT-FRIENDLY
SILICONE SEAL
PREMIUM RETAINING NUT



BUTTON END SURFACE

The button surface can be customized with patterns or texts according
to requirements. It is novel and nice-looking, and replaces the function
of indicating signs.





Mounting hole diameter 安装孔直径	28*28.2mm	Switch combinations 开关组合	1NO1NC/2NO2NC (一常开一常闭/二常开二常闭)	Housing material 外壳材质	SUS304/Brass nickel-plated/aluminum alloy anodized SUS304/黄铜镀镍/铝合金阳极氧化	Explanation of switch working status 开关工作状态说明	
Switching voltage 开关电压	1.5V~250VAC/DC	Lamp bead voltage 灯珠电压	AC/DC: 3.3V、6V、9V、12V、24V、36V、48V、110V、220V	Key Material 按键材质	PC&SUS316 聚碳&不锈钢SUS316		Button - Press down 按键-按下
Current rating: 额定电流:	Resistive loads 阻性负载	DC-13:12V/24V 5A AC-15:110V/250V 5A	Lamp bead current 灯珠电流	2mA~20mA	Contact material 触点材质	Silver tin oxide alloy contacts 银氧化锡合金触点	Button - Eject 按键-弹出
	Inductive loads 感性负载	AC-15:110V/250V 1.25A DC-13:110V 1.25A	PIN pin style PIN脚样式	Switch pin 2.8 x 0.5&LED pin 2.8 x 0.5 开关插针2.8×0.5&LED插针2.8×0.5	Electrical life 电气寿命	DC-13:12V/24V 0.5A >500,000 times AC-15:110V/250V 0.5A >50万	C-NO Power ON/C-NC Power OFF C-NO接通/C-NC断开
Rated heating current 额定发热电流	ith: 5A/250VAC	Base material 基座材质	Modified nylon PA66 改性尼龙PA66	Contact resistance 接触阻值	Contact resistance ≤50mΩ		
Waterproof rating 防水等级	IP67 at the end of the button 按键端IP67	Dielectric strength 绝缘强度	≥100MΩ 500VDC /h	Press down on pressure 按键下压力	Approximately 2.5~4N 约2.5~4N		
Ambient temperature 环境温度	-30℃~85℃	Compressive strength 耐压强度	Pins and housings 2500VAC 20mA/min 引脚与外壳 2500VAC 20mA/min	Button travel 按键行程	The key stroke is 3mm and the contact stroke is 1.5mm 按键行程3mm 接触行程1.5mm		
Form of work 工作形式	Self-locking/self-resetting (optional) 自锁式/自复式 (可选)	Glowing color 发光颜色	Red, green, yellow, blue, white (Two-color, three-color, multi-color can be customized) 红、绿、黄、蓝、白(双色、三色、多色可定制)				

3D View: 三维视图: 	Schematic Diagram: 电气原理: 	Cut-out size: 开孔尺寸: 	PART NAME: WD28B Series Pushbutton Switch Datasheet 零件名称: WD28B系列按钮开关规格书	MATERIAL: / 材料: /	DRAWN: 彭翔翔 日期 2024.03.13 绘图:	WEIGHT(g): 10 重量:
			PART No.: WD28B-P22-EC-GGS01 零件编号:	SCALE: 2:1 比例:	CHECK: 彭翔翔 日期 2024.03.13 审核:	UNIT: mm 单位:
			SHEET: 5 OF 1 页数: 第 1 页 共 5 页	APPROVAL: 彭翔翔 日期 2024.03.13 批准:	SIZE: A4 图幅:	
			PART No.: / 料号:	VERISON: V0.0 版本:	PROJECTION: 投影:	