

WANDU 万度®

# 25B

Series Metal Button Switch



## PROTECTION AND SAFETY NEW BREAKTHROUGH

All-round upgrade in waterproof grade. Resistance to high-intensity work. Optimized material. Stable performance. Easy to deal with all kinds of working environments. Corrosion resistance. High temperature resistance. High flame retardancy. Long service life. Waterproof grade up to IP67



## HIGH TEMPERATURE RESISTANCE HIGH FLAME RETARDANCY

WORKING ENVIRONMENT:  
-30°C→+80°C



**PA66**  
ENHANCED HIGH  
FLAME RETARDANCY

## HIGH-QUALITY CONNECTOR MAKES CONNECTION MORE CONVENIENT



0.5 mm<sup>2</sup> international copper wire.  
Select the connector matching the button  
according to the requirements.  
The default wire length of the connector is 15cm,  
and the wire length can be customized.

## WD25B SERIES METAL BUTTON SWITCH

Support a maximum current of 5A/250VAC.  
The diameter of the button at the operation position is increased,  
which provides advanced self-locking performance and comfortable  
operation feeling.

25MM  
INITIAL HOLE  
DIAMETER

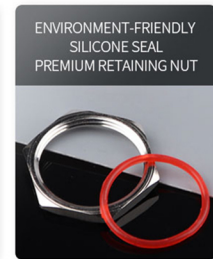
1NO 2NO  
1NC 2NC



**500,000** TIMES  
MECHANICAL LIFE IS UP TO

## FINE WORKMANSHIP GREAT MATERIAL

Concentrate on the products, Good quality can stand the test



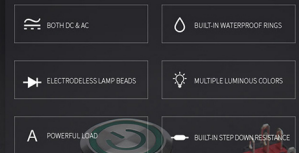
## EXQUISITE WORKMANSHIP ADVANCED TECHNOLOGY

Choose high-quality materials, Create by heart.  
Ensure every detail, Only for high quality...



## PRECISION - ELEGANCE

Have super metal texture, high-grade appearance design,  
and increased ability to resist welding deformation.  
Careful craft, Strict production technology ensure product quality,  
Safer and more reliable.



## HIGH QUALITY LED LAMP BEADS

Frosted lamp rings, Soft and highlighted light  
Voltage can be selected at will,  
and multiple luminous colors can be customized.



## SUPPORTS FREE SAMPLES

Samples can be provided free of charge according to customer specifications.  
Custom-made types: Light-transmitting button pattern, laser inscription, wire  
length, special shape, various SH.  
Sample requirements: customers should understand the product specifications  
and requirements at first, and cooperate to provide sample drawings; we also  
support customized two-dimensional drawings.

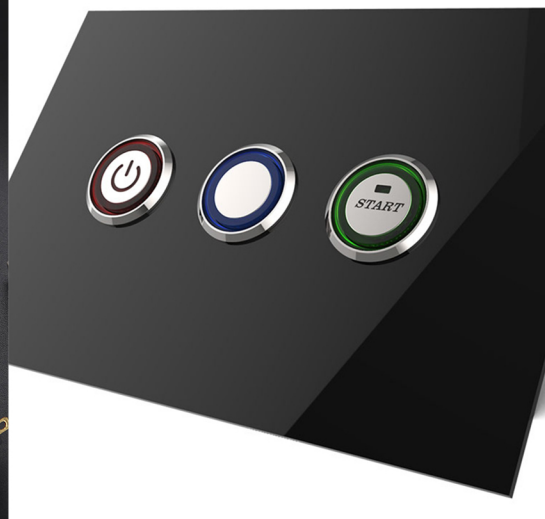
RETURN, REFUND AND  
REPLACEMENT ARE  
NOT SUPPORTED FOR  
CUSTOMIZED PRODUCTS

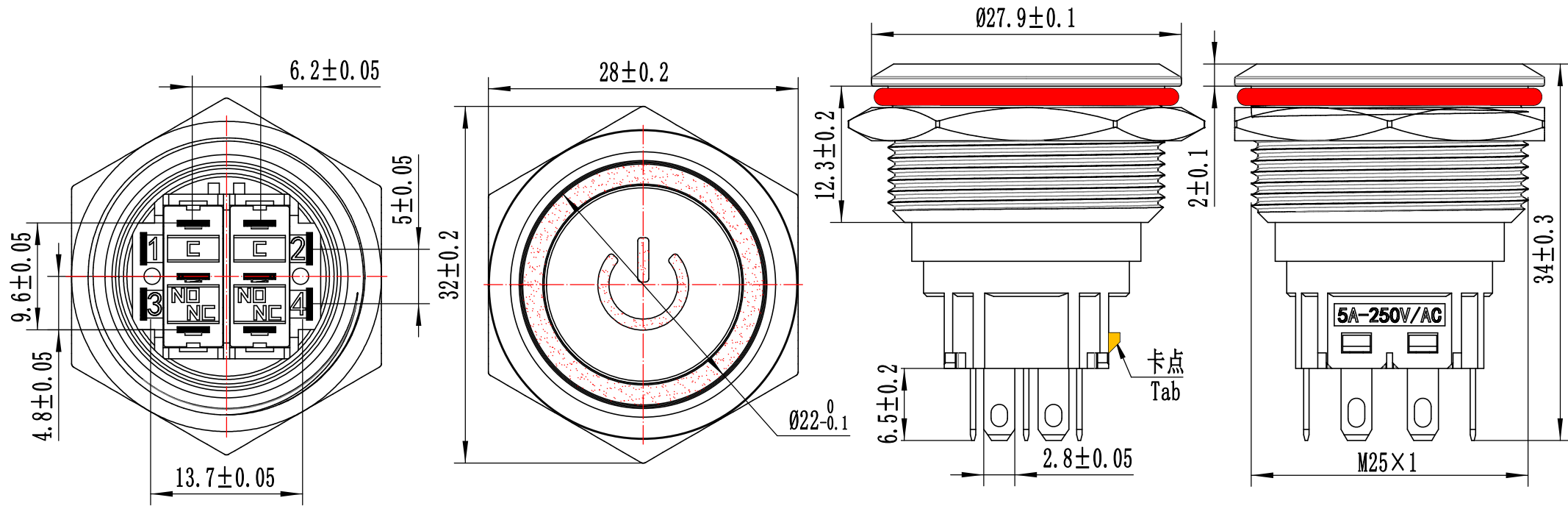
WARM TIP



## BUTTON END SURFACE

The button surface can be customized with patterns or texts according  
to requirements. It is novel and nice-looking, and replaces the function  
of indicating signs.





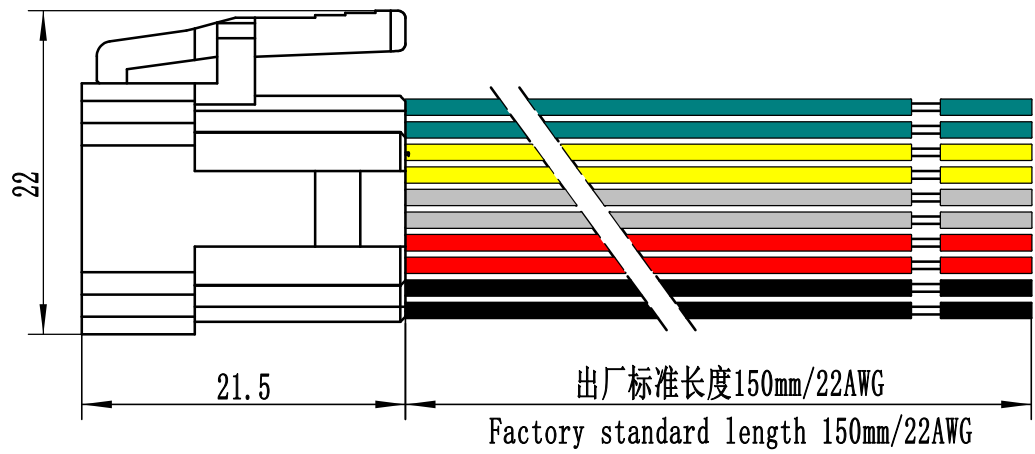
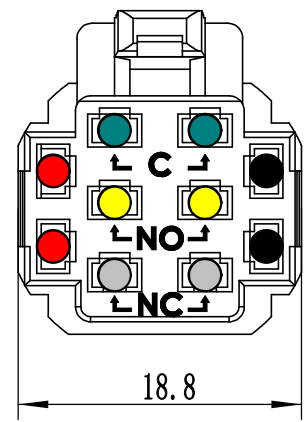
Mounting hole diameter 安装孔直径	25*25.2mm		Switch combinations 开关组合	1NO1NC/2NO2NC (一常开一常闭/二常开二常闭)		Housing material 外壳材质	SUS304/Brass nickel-plated/aluminum alloy anodized SUS304/黄铜镀镍/铝合金阳极氧化		Explanation of switch working status 开关工作状态说明	
Switching voltage 开关电压	1.5V~250VAC/DC		Lamp bead voltage 灯珠电压	AC/DC: 3.3V、6V、9V、12V、24V、36V、48V、110V、220V		Key Material 按键材质	PC&SUS316 聚碳&不锈钢SUS316		Button - Press down 按键-按下	
Current rating: 额定电流:	Resistive loads 阻性负载	DC-13:12V/24V 5A AC-15:110V/250V 5A	Lamp bead current 灯珠电流	2mA~20mA		Contact material 触点材质	Silver tin oxide alloy contacts 银氧化锡合金触点		Button - Eject 按键-弹出	
	Inductive loads 感性负载	AC-15:110V/250V 1.25A DC-13:110V 1.25A	PIN pin style PIN脚样式	Switch pin 2.8 x 0.5&LED pin 2.8 x 0.5 开关插针2.8×0.5&LED插针2.8×0.5		Electrical life 电气寿命	DC-13:12V/24V 0.5A >500,000 times AC-15:110V/250V 0.5A >50万		C-NO Power ON/C-NC Power OFF C-NO接通/C-NC断开	
Rated heating current 额定发热电流	ith: 5A/250VAC		Base material 基座材质	Modified nylon PA66 改性尼龙PA66		Contact resistance 接触阻值	Contact resistance ≤50mΩ		C-NO Power OFF/C-NC Power ON C-NO断开/C-NC接通	
Waterproof rating 防水等级	IP67 at the end of the button 按键端IP67		Dielectric strength 绝缘强度	≥100MΩ 500VDC /h		Press down on pressure 按键下压力	Approximately 2.5~4N 约2.5~4N			
Ambient temperature 环境温度	-30℃~85℃		Compressive strength 耐压强度	Pins and housings 2500VAC 20mA/min 引脚与外壳 2500VAC 20mA/min		Button travel 按键行程	The key stroke is 3mm and the contact stroke is 1.5mm 按键行程3mm 接触行程1.5mm			
Form of work 工作形式	Self-locking/self-resetting (optional) 自锁式/自复式 (可选)		Glowing color 发光颜色	Red, green, yellow, blue, white (Two-color, three-color, multi-color can be customized) 红、绿、黄、蓝、白(双色、三色、多色可定制)						

<b>3D View:</b> 三维视图: 	<b>Schematic Diagram:</b> 电气原理: 	<b>Cut-out size:</b> 开孔尺寸: 	<b>PART NAME:</b> 零件名称:	WD25B Series Pushbutton Switch Datasheet WD25B系列按钮开关规格书	<b>MATERIAL:</b> 材料:	/	<b>DRAWN:</b> 绘图:	彭翔翔 日期 2024.03.13	<b>WEIGHT(g):</b> 重量:	10
			<b>PART No.:</b> 零件编号:	WD25B-P22-EC-GGS01	<b>SCALE:</b> 比例:	2:1	<b>CHECK:</b> 审核:	彭翔翔 日期 2024.03.13	<b>UNIT:</b> 单位:	mm
<b>浙江万度电气有限公司</b> Zhejiang Wandu Electric Co., Ltd Switch on worry-free			<b>SHEET:</b> 页数:	5 OF 1 第 1 页 共 5 页	<b>APPROVAL:</b> 批准:	彭翔翔 日期 2024.03.13	<b>SIZE:</b> 图幅:	A4		
			<b>PART No.:</b> 料号:	/	<b>VERISON:</b> 版本:	V0.0	<b>PROJECTION:</b> 投影:			

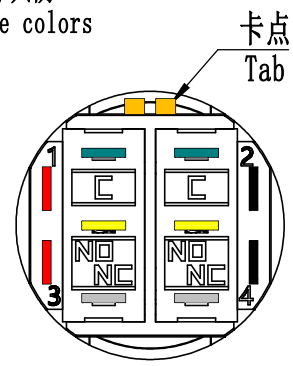




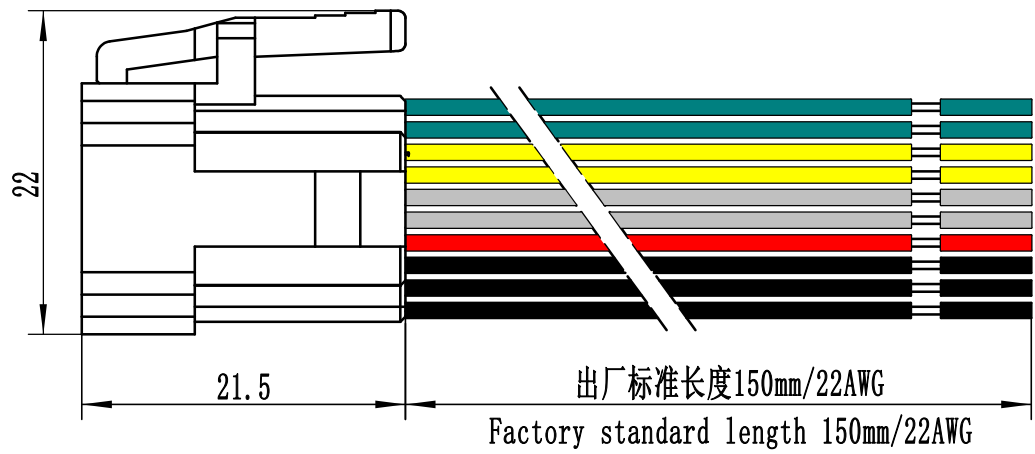
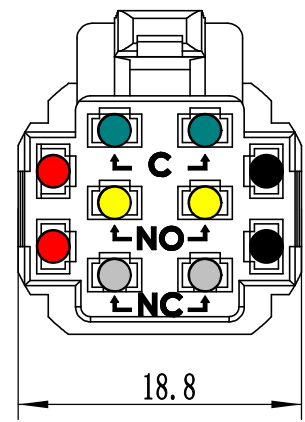
未经万度电气书面允许，严禁打印和复印



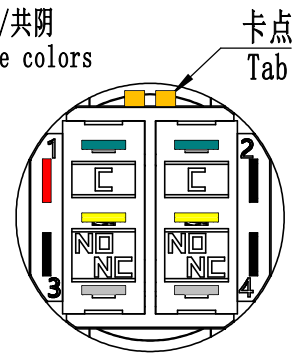
COM-/共阴  
Three colors



双色无极性 Two colors



COM-/共阴  
Three colors



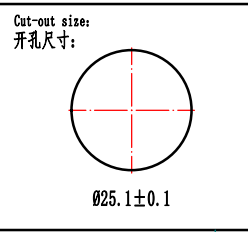
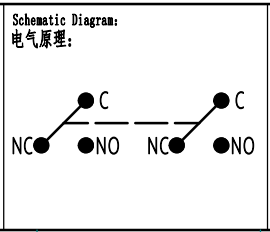
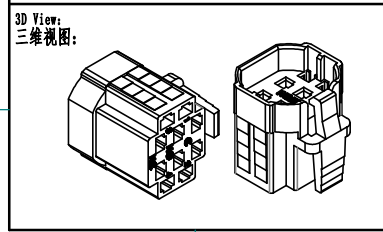
COM+/共阳 Three colors

多种发光颜色可选（双色、三色、多色可定制）  
Multiple luminous colors available  
(Two-color, three-color, multi-color can be customized)



客户可根据实际需求在线束末端定制连接端子  
Customers can customize connection terminals at the end of the wire harness according to their actual needs.

客户可根据实际需求定制线材颜色  
Customers can customize wire colors according to their actual needs.

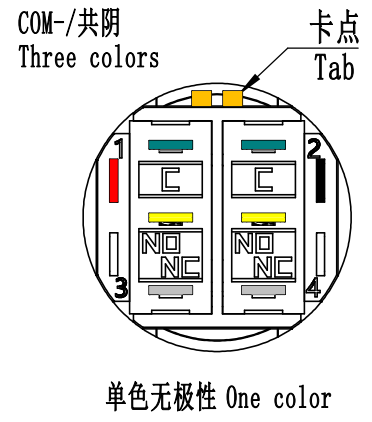
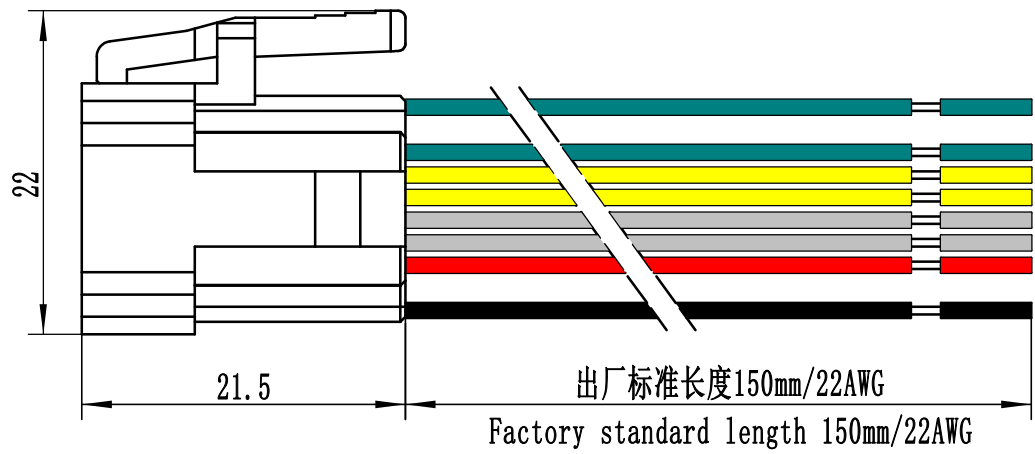
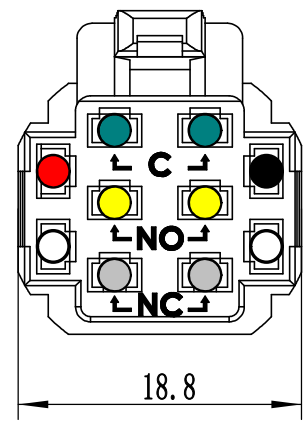
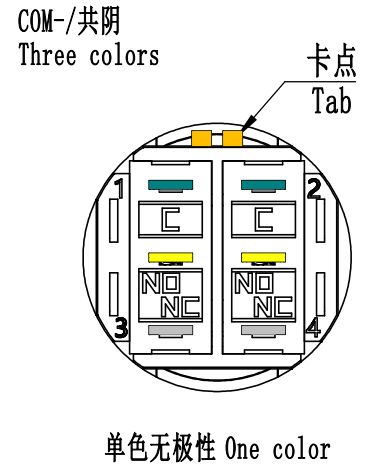
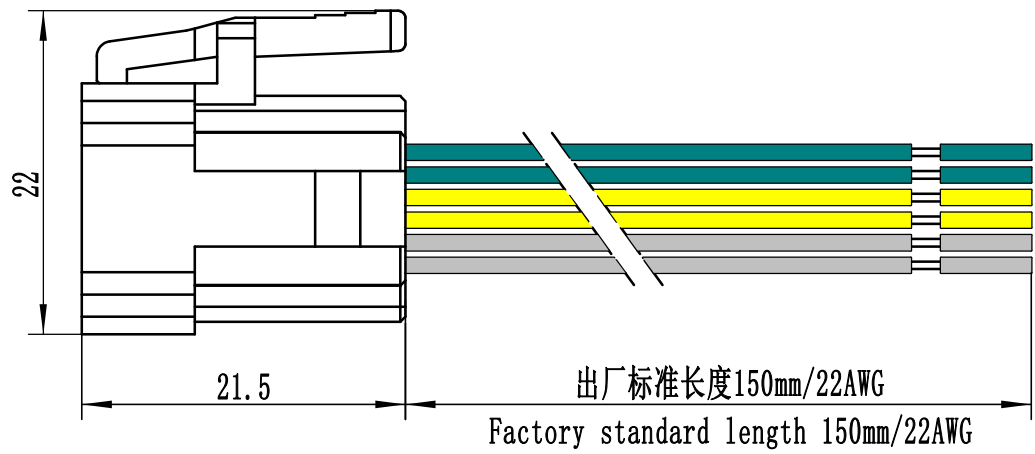
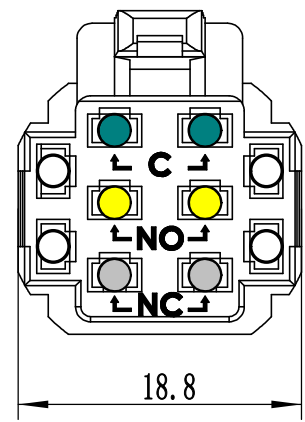


PART NAME:	WD25B Series Pushbutton Switch Datasheet
零件名称:	WD25B系列按钮开关规格书
PART No.:	WD25B-P22-EC-GGS01
零件编号:	
浙江万度电气有限公司 Switch on worry-free Zhejiang Wandu Electric Co., Ltd	

MATERIAL:	/
材料:	/
SCALE:	2:1
比例:	
SHEET:	2 OF 5
页数:	第 2 页 共 5 页
PART No.:	/
料号:	

DRAWN:	彭翔翔 日期 2024.02.29
绘图:	
CHECK:	彭翔翔 日期 2024.02.29
审核:	
APPROVAL:	彭翔翔 日期 2024.02.29
批准:	
VERSION:	V0.0
版本:	

WEIGHT(g):	10
重量:	
UNIT:	mm
单位:	
SIZE:	A4
图幅:	
PROJECTION:	
投影:	

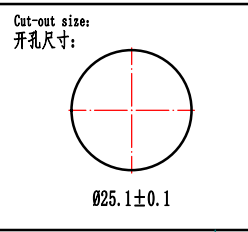
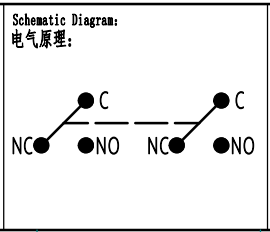
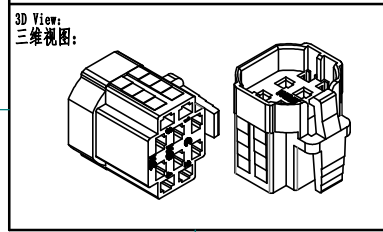
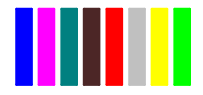


多种发光颜色可选（双色、三色、多色可定制）  
Multiple luminous colors available  
(Two-color, three-color, multi-color can be customized)



客户可根据实际需求在线束末端定制连接端子  
Customers can customize connection terminals at the end of the wire harness according to their actual needs.

客户可根据实际需求定制线材颜色  
Customers can customize wire colors according to their actual needs.



PART NAME:	WD25B Series Pushbutton Switch Datasheet
零件名称:	WD25B系列按钮开关规格书
PART No.:	WD25B-P22-EC-GGS01
零件编号:	
<b>浙江万度电气有限公司</b> Zhejiang Wandu Electric Co., Ltd Switch on worry-free	

MATERIAL:	/
材料:	/
SCALE:	2:1
比例:	
SHEET:	3 OF 5
页数:	第 3 页 共 5 页
PART No.:	/
料号:	

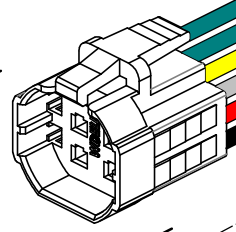
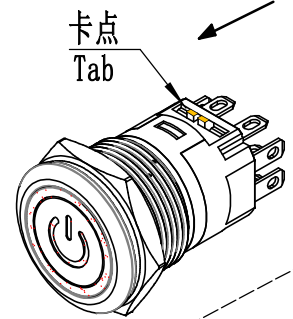
DRAWN:	彭翔翔 日期 2024.02.29
绘图:	
CHECK:	彭翔翔 日期 2024.02.29
审核:	
APPROVAL:	彭翔翔 日期 2024.02.29
批准:	
VERISON:	V0.0
版本:	

WEIGHT(g):	10
重量:	
UNIT:	mm
单位:	
SIZE:	A4
图幅:	
PROJECTION:	
投影:	

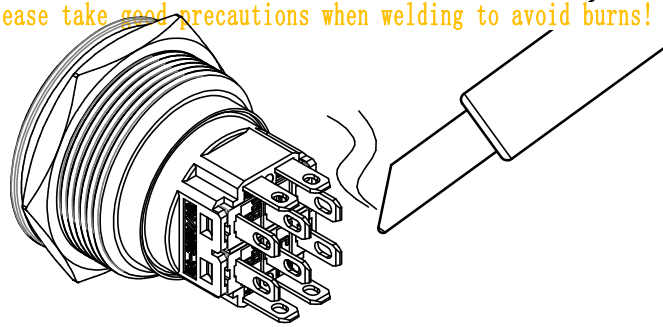


未经万度电气书面允许，严禁打印和复印

When connecting, pay attention to the alignment of the card point  
连接时注意对准卡点对位置

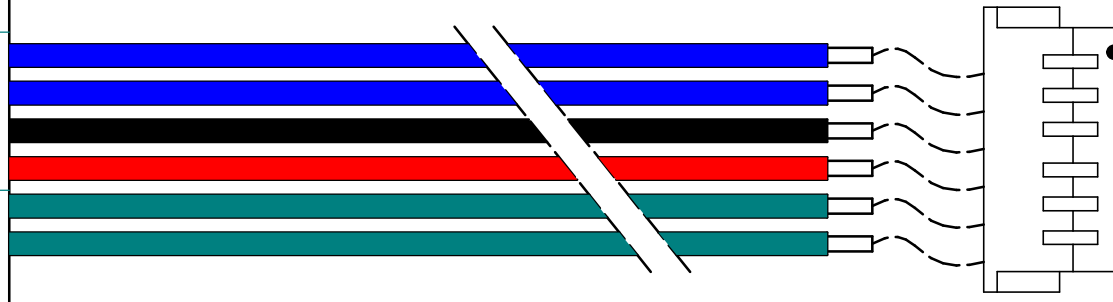


焊接时请做好防护，避免烫伤！  
Please take good precautions when welding to avoid burns!



焊接需注意，烙铁温度不得超过280℃  
焊接时间不能超过3秒，以免损坏开关本体。

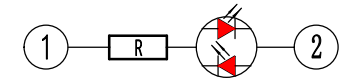
Soldering should be noted that the temperature of the soldering iron should not exceed 280° C, and the soldering time should not exceed 3 seconds, so as not to damage the switch body.



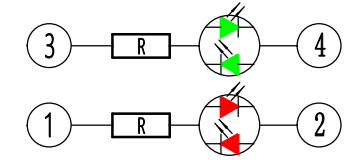
线束末端可定制接插端子  
Plug-in terminals can be customized at the end of the harness

Description of the electrical schematic  
电气原理图解析

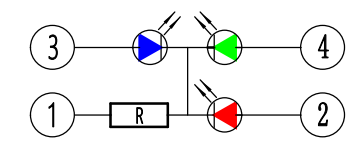
单色无极性 One color



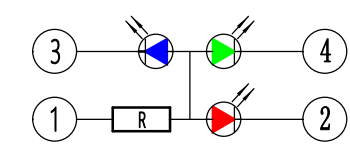
双色无极性 Two colors



COM-/共阴 Three colors



COM+/共阳 Three colors



平头按键-代号: P  
Flat head button - Code: P



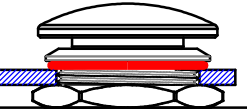
高头按键-代号: G  
High-head button - Code: G



球头按键-代号: Q  
Ball button - Code: Q



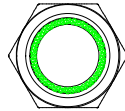
蘑菇头按键-代号: M  
Mushroom head button - code: M



环形&电源标-代号: EC  
Ring & Power Label - Codename: EC



环形-代号: E  
Ring - Codename: E



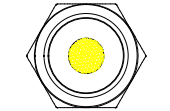
电源标-代号: C  
Power Label - Codename: C



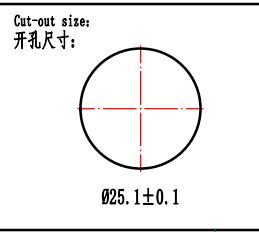
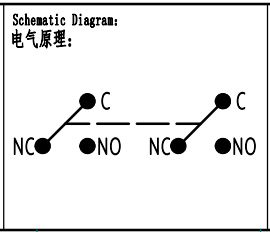
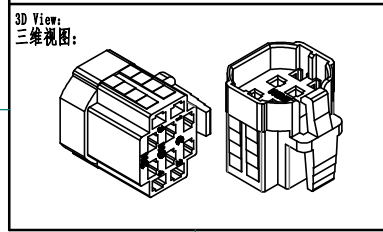
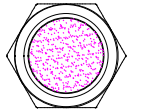
定制字符-代号: T  
Custom character - Codename: T



圆点发光-代号: D  
Dots glow - codename - D



整圆发光-代号: O  
Overall luminescence: O



PART NAME: WD25B Series Pushbutton Switch Datasheet  
零件名称: WD25B系列按钮开关规格书  
PART No.: WD25B-P22-EC-GGS01  
零件编号:  
**WDLEE**  
浙江万度电气有限公司  
Switch on worry-free  
Zhejiang Wandu Electric Co., Ltd

MATERIAL: /  
材料: /  
SCALE: 2:1  
比例:  
SHEET: 4 OF 5  
页数: 第 4 页 共 5 页  
PART No.: /  
料号:

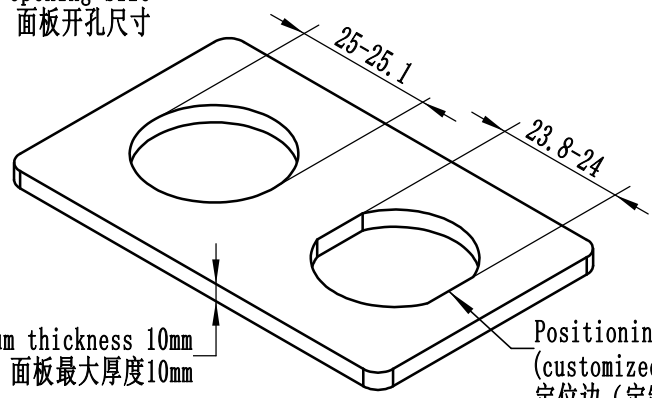
DRAWN: 彭翔翔 日期 2024.02.29  
绘图:  
CHECK: 彭翔翔 日期 2024.02.29  
审核:  
APPROVAL: 彭翔翔 日期 2024.02.29  
批准:  
VERISON: V0.0  
版本:

WEIGHT(g): 10  
重量:  
UNIT: mm  
单位:  
SIZE: A4  
图幅:  
PROJECTION: 投影:



未经万度电气书面允许，严禁打印和复印

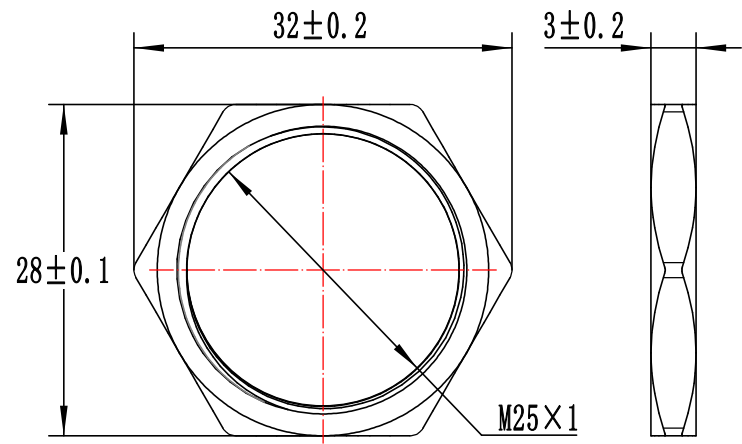
Panel opening size  
面板开孔尺寸



Maximum thickness 10mm  
面板最大厚度10mm

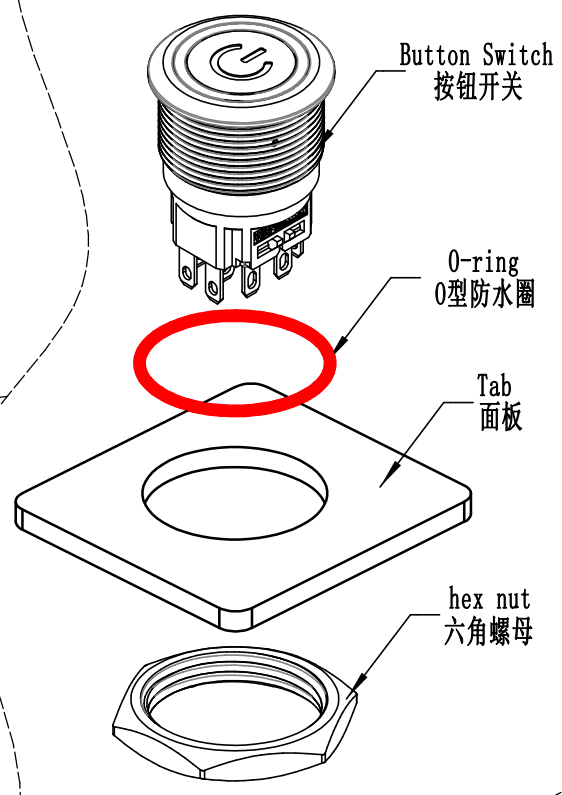
Positioning edge  
(customized)  
定位边 (定制)

Attachment: Hexagonal Nut  
附件: 六角螺母

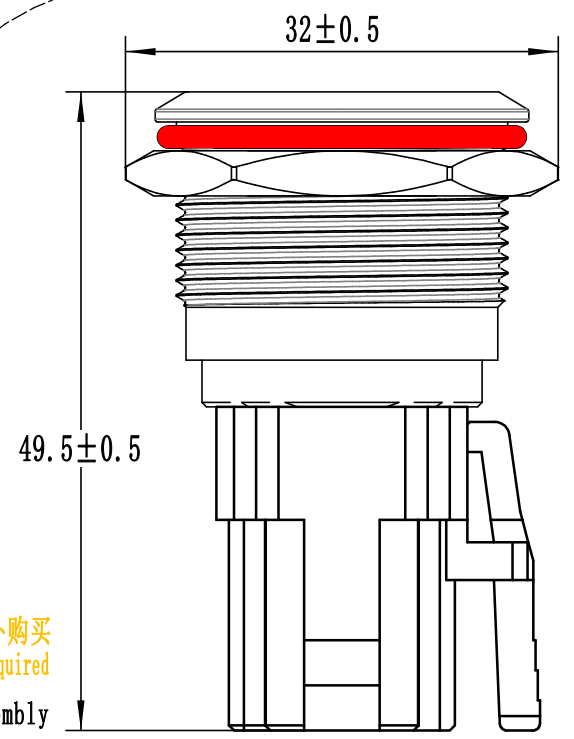
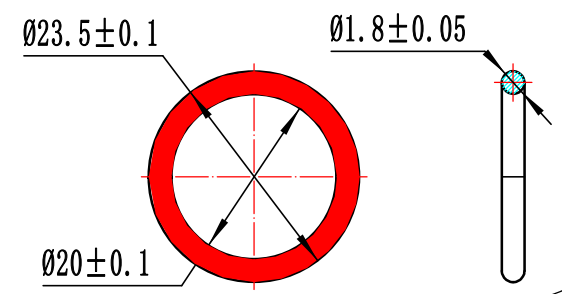


The proportion in the diagram is not equal to the actual object  
图示比例不等于实物

Installation method diagram  
安装方法示意图

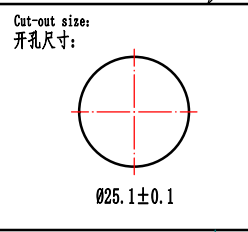
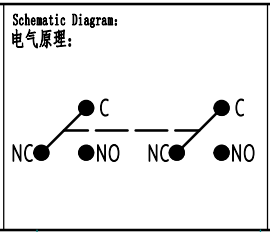
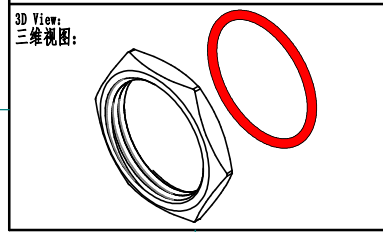


Attachment: O-shaped silicone waterproof ring  
附件: O型硅胶防水圈



插座配件需额外购买  
Additional purchase of socket accessories is required

External dimensions of switch and socket assembly  
开关与插座组装外形尺寸



PART NAME: 零件名称:	WD25B Series Pushbutton Switch Datasheet WD25B系列按钮开关规格书
PART No. : 零件编号:	WD25B-P22-EC-GGS01
浙江万度电气有限公司 Switch on worry-free Zhejiang Wandu Electric Co., Ltd	

MATERIAL: 材料:	/
SCALE: 比例:	2:1
SHEET: 页数:	4 OF 4 第 4 页 共 4 页
PART No. : 料号:	/

DRAWN: 绘图:	彭翔翔 日期 2024.02.29
CHECK: 审核:	彭翔翔 日期 2024.02.29
APPROVAL: 批准:	彭翔翔 日期 2024.02.29
VERISON: 版本:	V0.0

WEIGHT(g): 重量:	10
UNIT: 单位:	mm
SIZE: 图幅:	A4
PROJECTION: 投影:	