

GOOD CONTACT

Capacitive Metal Touch Switch

19MM
22MM



PROTECTION AND SAFETY NEW BREAKTHROUGH

Comprehensive upgrade on waterproof level ;
Resistance of high-intensity work;
Preferred materials; Stable performance;
Easy to cope with various working environments;
Corrosion resistance, High temperature resistance;
High flame retardancy; Long service life;
Waterproof level IP68; Protection Grade IK10



1NO

SWITCH COMBINATION

EXQUISITE WORKMANSHIP ADVANCED TECHNOLOGY

High-quality materials,
Create by heart, Control every detail,
Only for high quality...



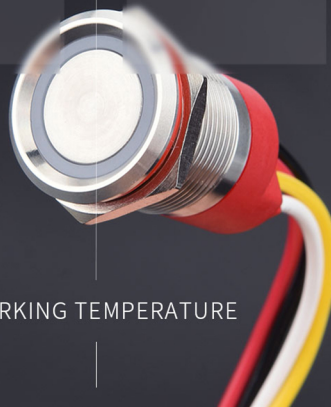
- Input: Negative connect-in
- Input: Positive connect-in
- Output: Positive connect-out
- Output: Negative connect-out

🌡️ +55°C

High temperature
resistance

❄️ -25°C

Low temperature
resistance



WORKING TEMPERATURE

40000H

LED LAMP BEAD SERVICE LIFE

LED LAMP BEADS

LED luminous color
The default colors are red and green;
Monochrome or other colors can be customized;
The default of "off" switch is red while the "on" switch is green.



HIGH-QUALITY PROCESS DETAILS

Concentrate on the products,
Good quality can stand the test



Thick-even coat;
Guaranteed to prevent damage;
Effectively prevent current breakdown;
Ensure electrical safety

Precision CNC machining technology
304 stainless steel case



304 stainless steel button;
increased button aperture

Environment-friendly silicone sealing ring
High-quality fixed nut



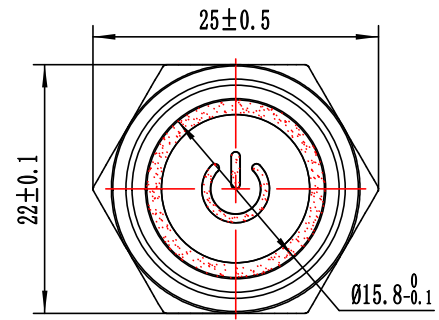
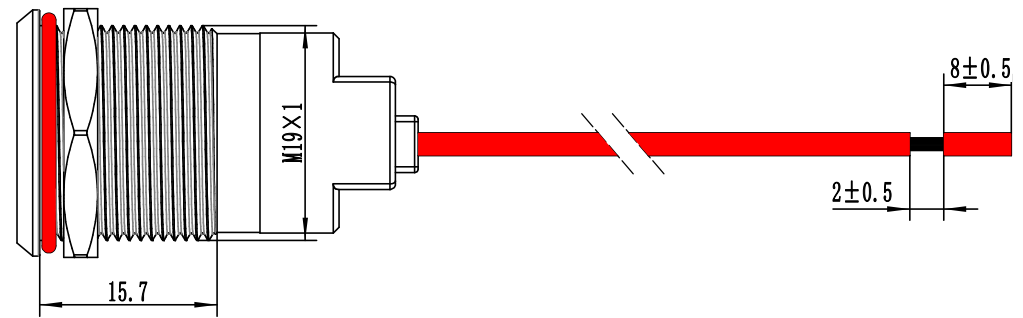
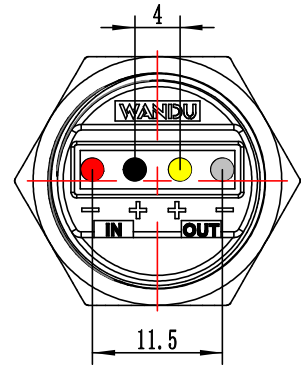
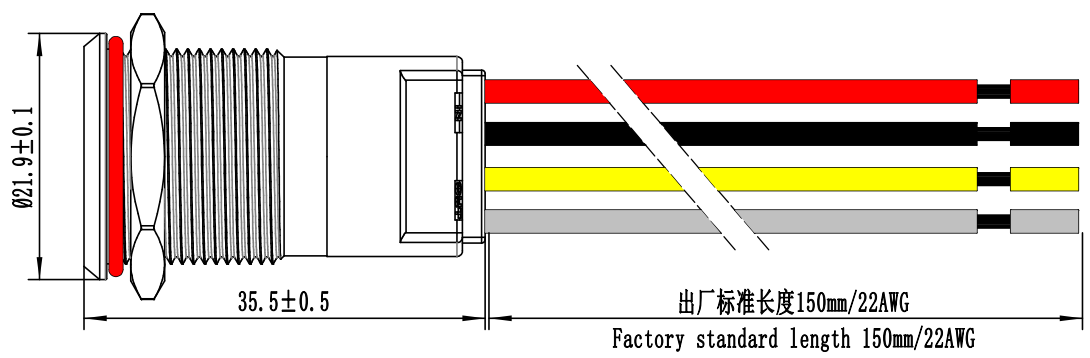


未经万度电气书面允许，严禁打印和复印

多种发光颜色可选 (双色、三色、多色可定制)
Multiple luminous colors available
(Two-color, three-color, multi-color can be customized)



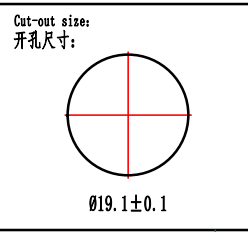
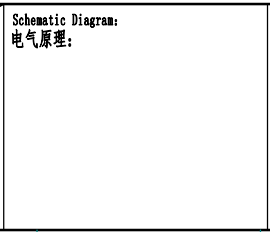
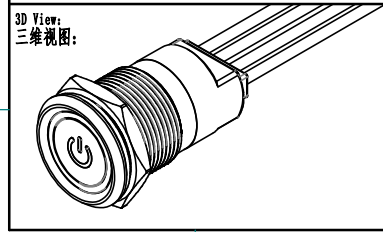
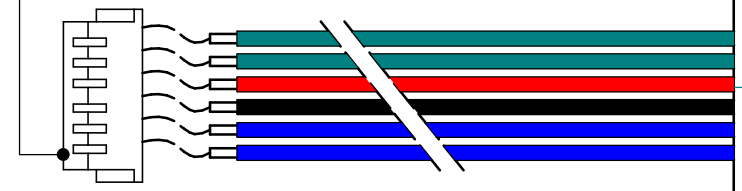
客户可根据实际需求定制线材颜色
Customers can customize wire colors
according to their actual needs.



Mounting hole diameter 安装孔直径	19~19.2mm	Base material 基座材质	Modified nylon PA66 改性尼龙PA66
Operating voltage 工作电压	DC 12V~24V	Dielectric strength 绝缘强度	≥100MΩ 500VDC /h
Operating Current: 工作电流:	15~35mA	PIN pin style PIN脚样式	Harness model 22AWG / length 150mm 线束型号22AWG/长度150mm
Glowing color 发光颜色	Factory standard red/green 出厂标准红色/绿色	Housing material 外壳材质	SUS304/Brass nickel-plated/aluminum alloy anodized SUS304/黄铜镀镍/铝合金阳极氧化
Waterproof rating 防水等级	IP67 at the end of the button 按键端IP67	End aperture material 光圈材质	PC&SUS316 聚碳酸酯/不锈钢SUS316
Ambient temperature 环境温度	-30℃~85℃	Form of workeraure 工作形式	Self-locking/jogging (optional) 自锁式/点动式 (可选)
Compressive strength 耐压强度	Pins and housings 1900VAC 20mA/min 引脚与外壳 1900VAC 20mA/min		

线束末端可定制接插端子

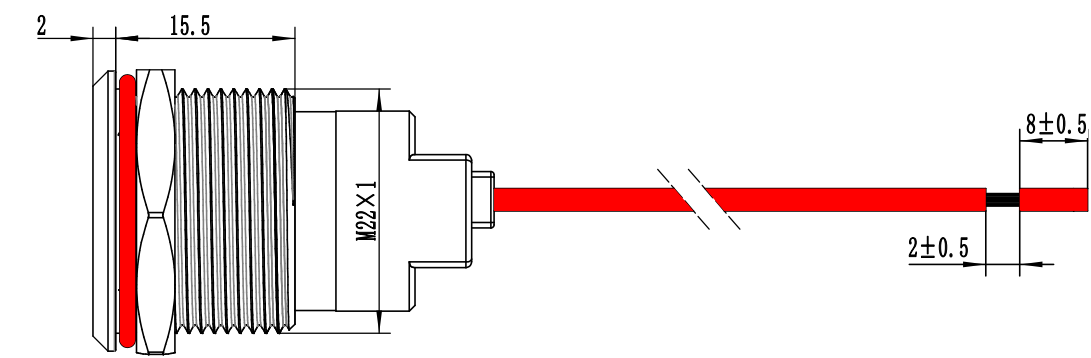
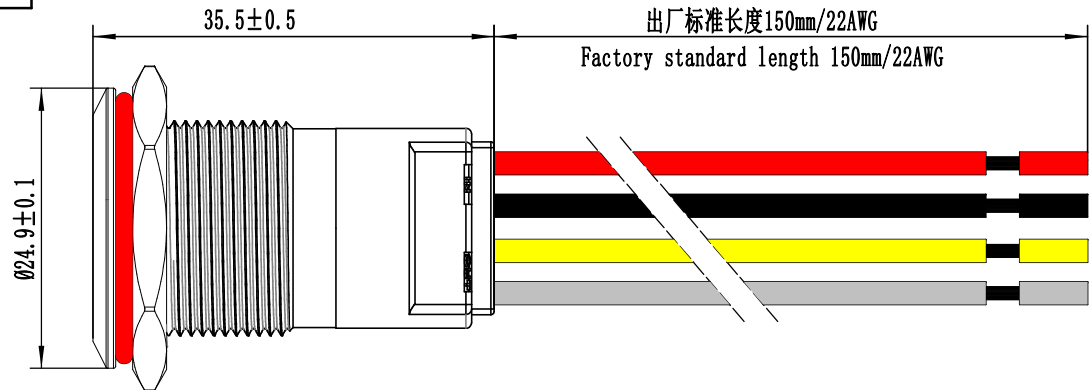
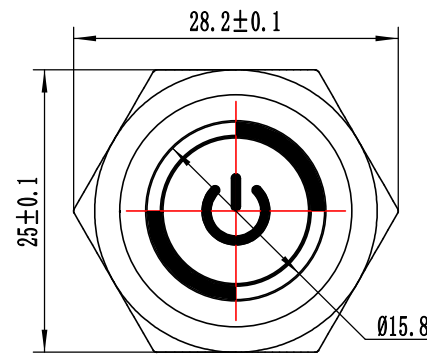
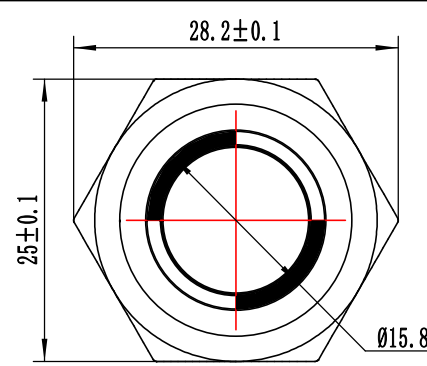
Plug-in terminals can be customized at the end of the harness



PART NAME: 零件名称:	WD19T Series Touch Button Switch Datasheet WD19T系列触摸按钮开关规格书	MATERIAL: 材料:	/	DRAWN: 绘图:	彭翔翔 日期 2024.02.29	WEIGHT(g): 重量:	10
PART No.:	WD19T-P1-EC-GGS01	SCALE: 比例:	1.5:1	CHECK: 审核:	彭翔翔 日期 2024.02.29	UNIT: 单位:	mm
浙江万度电气有限公司 Zhejiang Wandu Electric Co., Ltd		SHEET: 页数:	1 OF 1 第 1 页 共 1 页	APPROVAL: 批准:	彭翔翔 日期 2024.02.29	SIZE: 图幅:	A4
		PART No.:	/	VERSION: 版本:	V0.0	PROJECTION: 投影:	



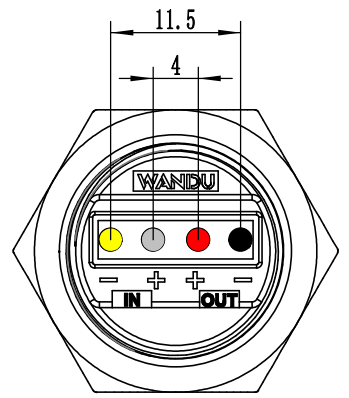
未经万度电气书面允许，严禁打印和复印



多种发光颜色可选 (双色、三色、多色可定制)
Multiple luminous colors available
(Two-color, three-color, multi-color can be customized)



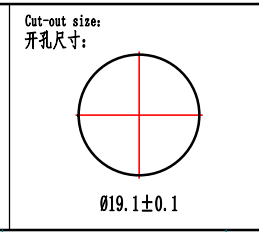
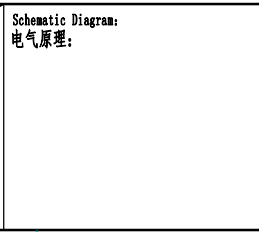
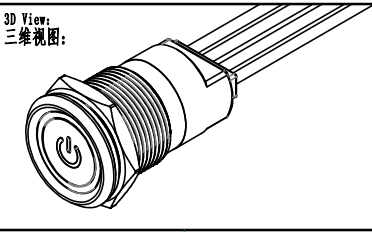
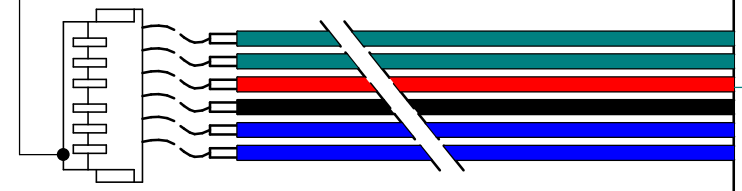
客户可根据实际需求定制线材颜色
Customers can customize wire colors
according to their actual needs.



Mounting hole diameter 安装孔直径	22~22.2mm	Base material 基座材质	Modified nylon PA66 改性尼龙PA66
Operating voltage 工作电压	DC 12V~24V	Dielectric strength 绝缘强度	≥100MΩ 500VDC /h
Operating Current: 工作电流:	15~35mA	PIN pin style PIN脚样式	Harness model 22AWG / length 150mm 线束型号22AWG/长度150mm
Glowing color 发光颜色	Factory standard red/green 出厂标准红色/绿色	Housing material 外壳材质	SUS304/Brass nickel-plated/aluminum alloy anodized SUS304/黄铜镀镍/铝合金阳极氧化
Waterproof rating 防水等级	IP67 at the end of the button 按键端IP67	End aperture material 光圈材质	PC&SUS316 聚碳 & 不锈钢SUS316
Ambient temperature 环境温度	-30℃~85℃		
Form of workeraure 工作形式	Self-locking/jogging (optional) 自锁式/点动式 (可选)		
Compressive strength 耐压强度	Pins and housings 1900VAC 20mA/min 引脚与外壳 1900VAC 20mA/min		

线束末端可定制接插端子

Plug-in terminals can be customized at the end of the harness



PART NAME: 零件名称:	WD22T Series Touch Button Switch Datasheet WD22T系列触摸按钮开关规格书	MATERIAL: 材料:	/
PART No.:零件编号:	WD22T-P1-EC-GGS01	SCALE: 比例:	1.5:1
浙江万度电气有限公司 Zhejiang Wandu Electric Co., Ltd		SHEET: 页数:	1 OF 1 第 1 页 共 1 页
		PART No.:料号:	/

DRAWN: 绘图:	彭翔翔 日期 2024.02.29	WEIGHT(g): 重量:	10
CHECK: 审核:	彭翔翔 日期 2024.02.29	UNIT: 单位:	mm
APPROVAL: 批准:	彭翔翔 日期 2024.02.29	SIZE: 图幅:	A4
VERISON: 版本:	V0.0	PROJECTION: 投影:	