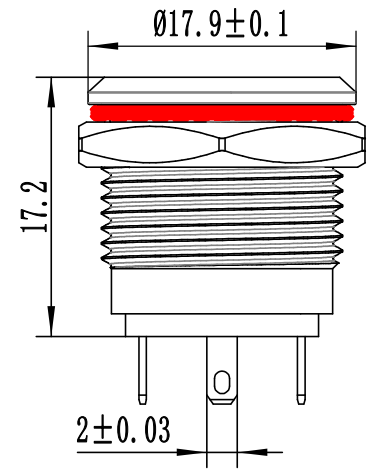
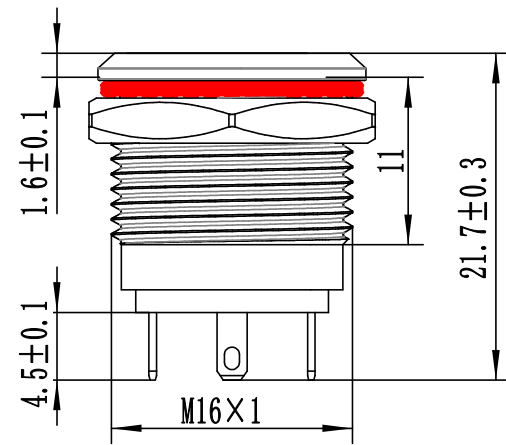
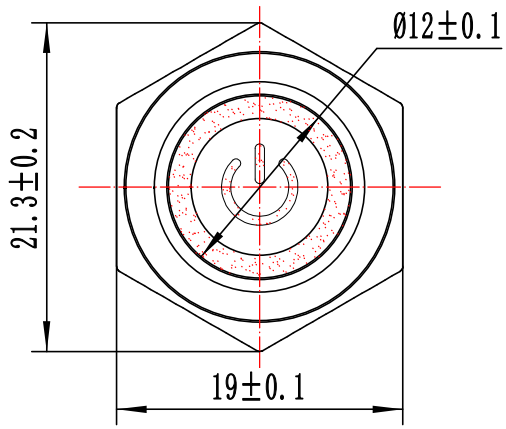
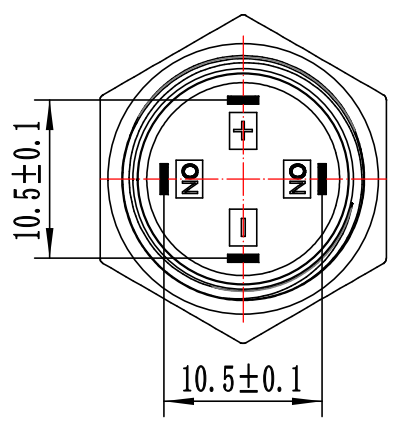
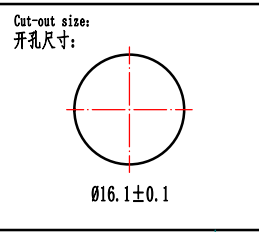
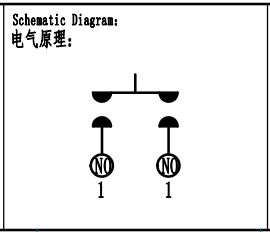
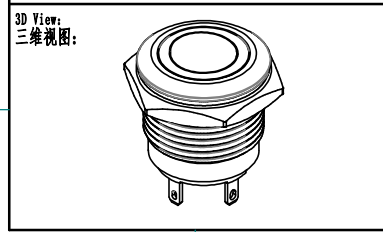
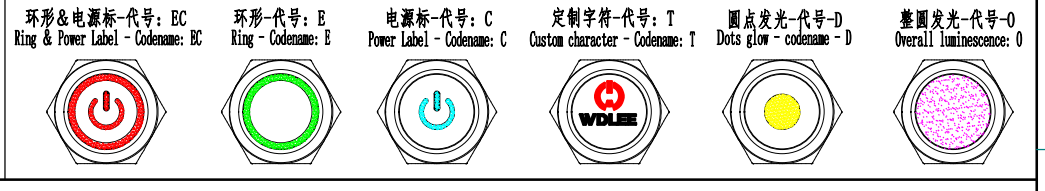
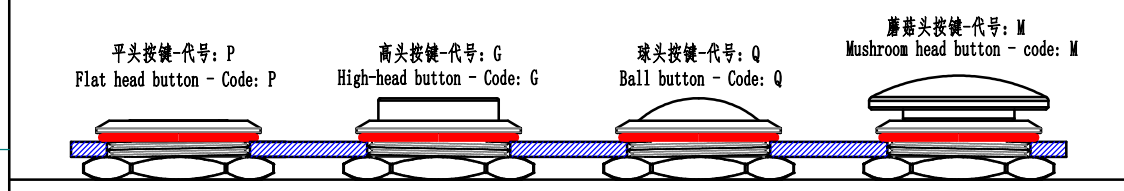
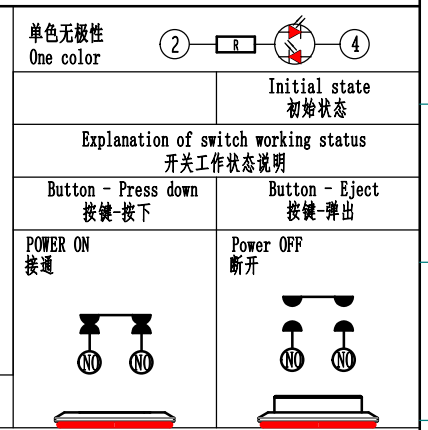




未经万度电气书面允许，严禁打印和复印



Mounting hole diameter 安装孔直径	16~16.2mm	Switch combinations 开关组合	1NO (一常开)	Housing material 外壳材质	SUS304/Brass nickel-plated/aluminum alloy anodized SUS304/黄铜镀镍/铝合金阳极氧化	
Switching voltage 开关电压	1.5V~250VAC/DC	Lamp bead voltage 灯珠电压	AC/DC: 3.3V, 6V, 9V, 12V, 24V, 36V, 48V, 110V, 220V	Key Material 按键材质	PC&SUS316 聚碳&不锈钢SUS316	
Current rating: 额定电流:	Resistive loads 阻性负载	DC-13:12V/24V 3A AC-15:110V/250V 5A	Lamp bead current 灯珠电流	2mA~20mA	Contact material 触点材质	H65 silver plating H65镀银
	Inductive loads 感性负载	AC-15:110V/250V 0.75A DC-13:110V 0.75A	PIN pin style PIN脚样式	2mm Solder pins 2mm 焊接引脚	Electrical life 电气寿命	DC-13:12V/24V 1.5A >100,000 times AC-15:110V/220V 3A >10万次
Rated heating current 额定发热电流	ith: 5A/250VAC	Base material 基座材质	Modified nylon PA66 改性尼龙PA66	Contact resistance 接触阻值	≤50mΩ	
Waterproof rating 防水等级	IP66 at the end of the button 按键端IP66	Dielectric strength 绝缘强度	≥100MΩ 500VDC /h	Press down on pressure 按键下压力	Approximately 2.5~4N 约2.5~4N	
Ambient temperature 环境温度	-30℃~85℃	Compressive strength 耐压强度	Pins and housings 1500VAC 20mA/min 引脚与外壳 1500VAC 20mA/min	Button travel 按键行程	The key stroke is 2.5mm and the contact stroke is 1mm 按键行程2.5mm 接触行程1mm	
Form of work 工作形式	Self-locking 自复式	Glowing color 发光颜色	Red, green, yellow, blue, white 红、绿、黄、蓝、白			



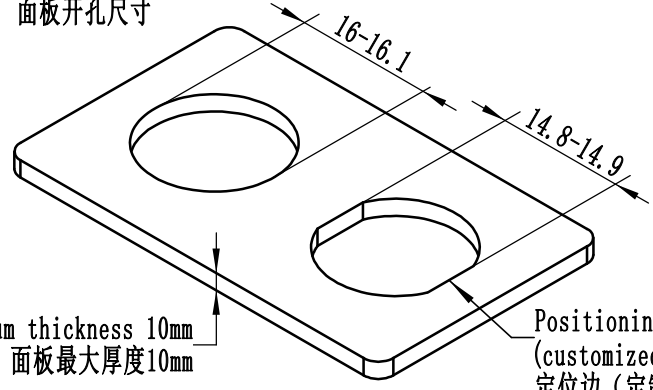
PART NAME: 零件名称:	WD16H series button switch specification sheet WD16H系列按钮开关规格书
PART No.:	WD16H-P1-E-GGS01
浙江万度电气有限公司 Zhejiang Wandu Electric Co., Ltd	

MATERIAL:	/
SCALE:	2:1
SHEET:	2 OF 1
PAGE:	第 1 页 共 2 页
PART No.:	/

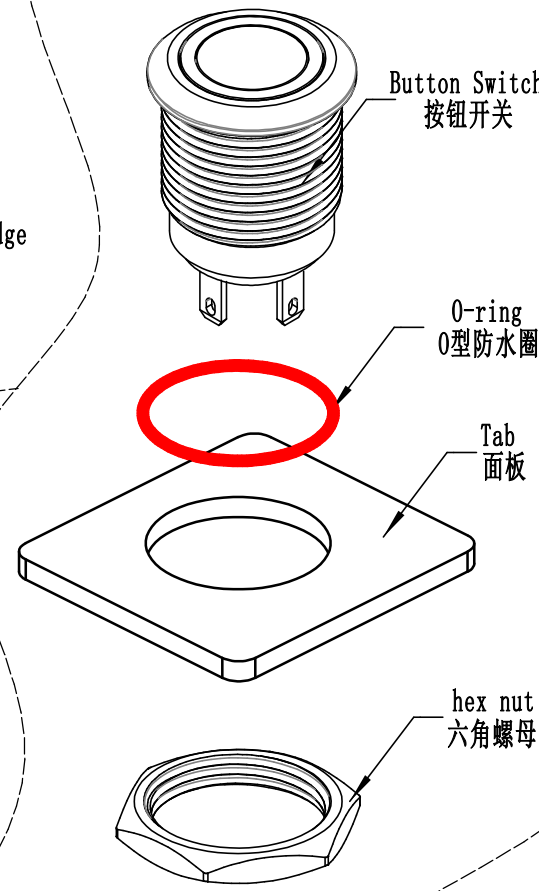
DRAWN:	彭翔翔 日期 2024.03.14
CHECK:	彭翔翔 日期 2024.03.14
APPROVAL:	彭翔翔 日期 2024.03.14
VERSION:	V0.0

WEIGHT(g):	10
UNIT:	mm
SIZE:	A4
PROJECTION:	

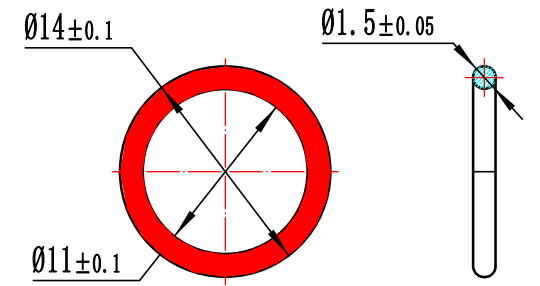
Panel opening size
面板开孔尺寸



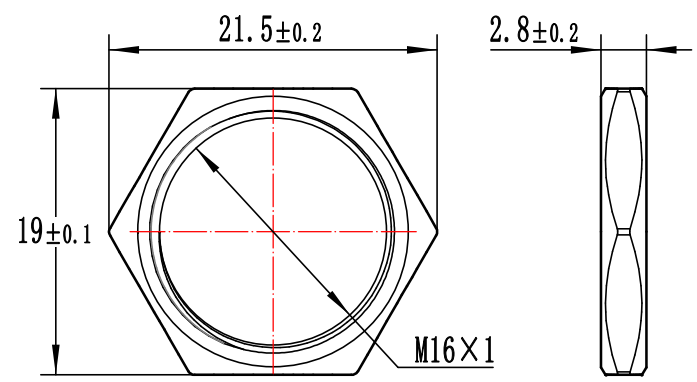
Installation method diagram
安装方法示意图



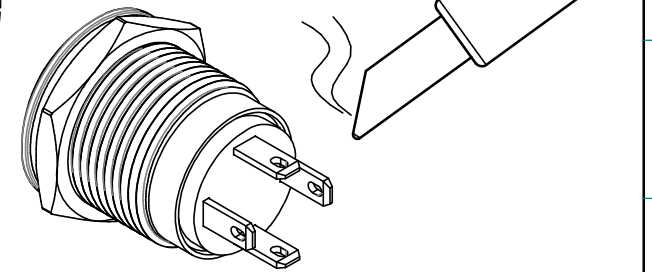
Attachment: 0-shaped silicone waterproof ring
附件: 0型硅胶防水圈



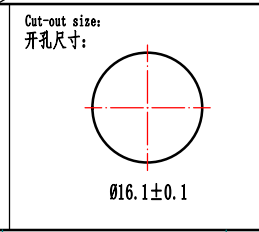
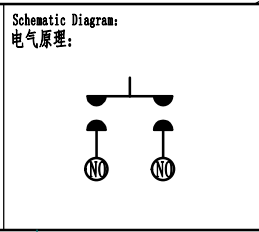
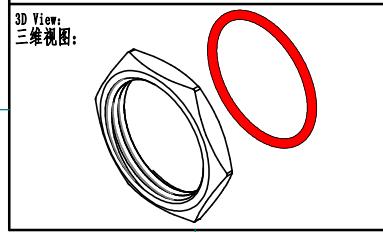
Attachment: Hexagonal Nut
附件: 六角螺母



焊接需注意，烙铁温度不得超过280℃
焊接时间不能超过3秒，以免损坏开关本体。
Soldering should be noted that the temperature of the soldering iron should not exceed 280° C, and the soldering time should not exceed 3 seconds, so as not to damage the switch body.



焊接时请做好防护，避免烫伤!
Please take good precautions when welding to avoid burns!



PART NAME: 零件名称:	WD16H series button switch specification sheet WD16H系列按钮开关规格书
PART No. : 零件编号:	WD16H-P1-E-GGS01
浙江万度电气有限公司 Zhejiang Wandu Electric Co., Ltd	

MATERIAL: 材料:	/
SCALE: 比例:	2:1
SHEET: 页数:	2 OF 2 第 2 页 共 2 页
PART No. : 料号:	/

DRAWN: 绘图:	彭翔翔 日期 2024.03.14
CHECK: 审核:	彭翔翔 日期 2024.03.14
APPROVAL: 批准:	彭翔翔 日期 2024.03.14
VERISON: 版本:	V0.0

WEIGHT(g): 重量:	10
UNIT: 单位:	mm
SIZE: 图幅:	A4
PROJECTION: 投影:	