

High current waterproof Metal button switch

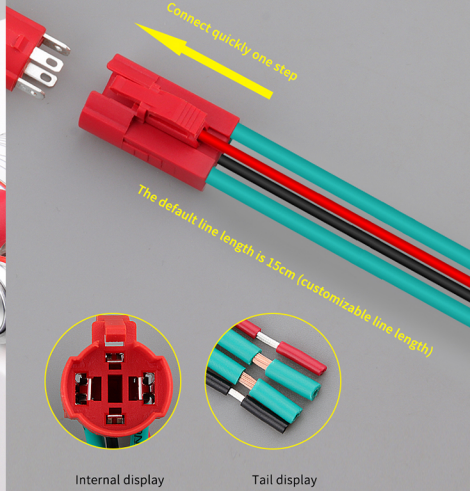
Model: WD-16D series

15A **IP67**
High-power Not afraid of water



Can be paired with Dedicated connectors Make wiring easier

Eliminating tedious welding process
Make wiring safe and simple



Equipment line: 1.5 square meters of pure copper wire
Lamp wire: 0.5 square meter pure copper tinned wire

Efficient waterproof up to IP67

After rigorous testing, the waterproof performance is strong



Multiple heads and high/flat heads

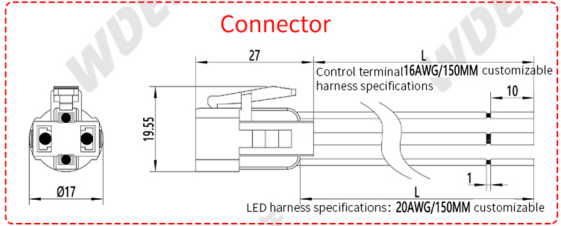
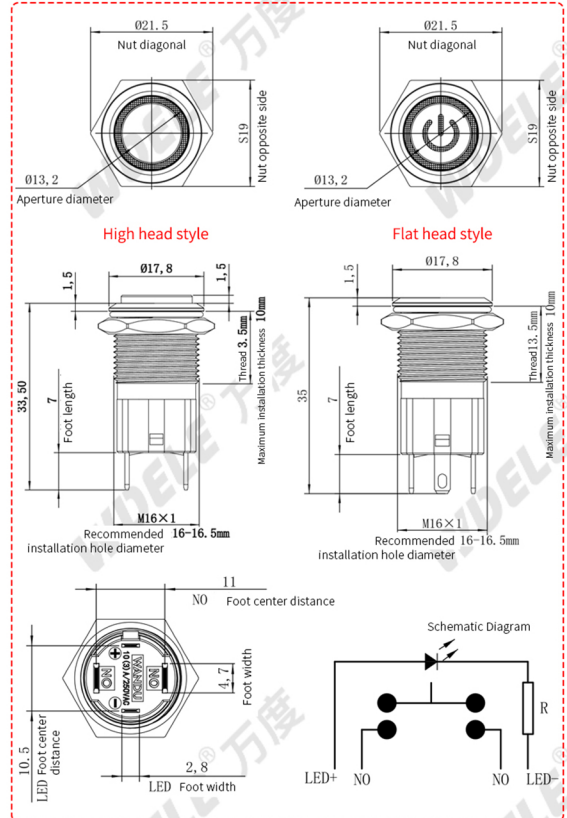
We have everything you want

Flat head style High head style



Product parameters and dimensions

Switching Voltage	1.5V~250V/AC/DC
Working form	Self resetting/self locking
Switch combination	1NO
Mechanical life	Self locking 25W times, self resetting 50W times
Compressive strength	1900VACmin
Switching Current	15A
Work environment	-30°C~+80°C
Waterproof grade	IP67
Contact resistance	≤50MΩ
Opening diameter	16MM



- WATERPROOF AND DUSTPROOF
- HIGH QUALITY SERVICE
- QUALITY ASSURANCE

4.8MM Silver plated pins

Better conductivity and longer lifespan



Recognize Wandu IOGO
Avoiding counterfeit and inferior products



Engraved 'NO' character on feet
More recognizable

Increase and thicken Silver contacts

Not easily oxidized, resistant to high temperature and corrosion



Contact diameter 3mm

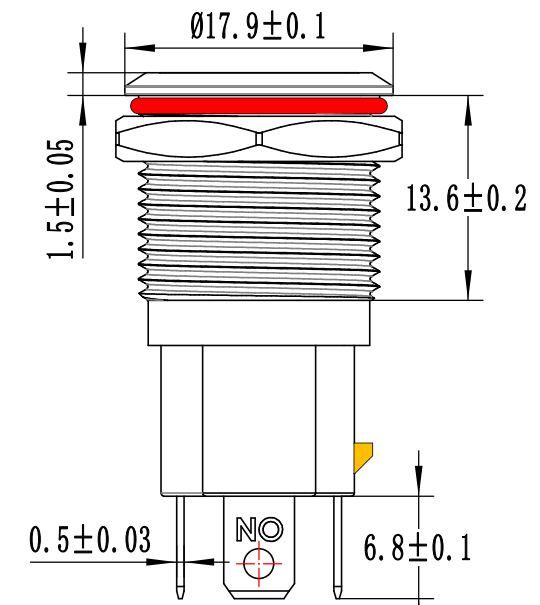
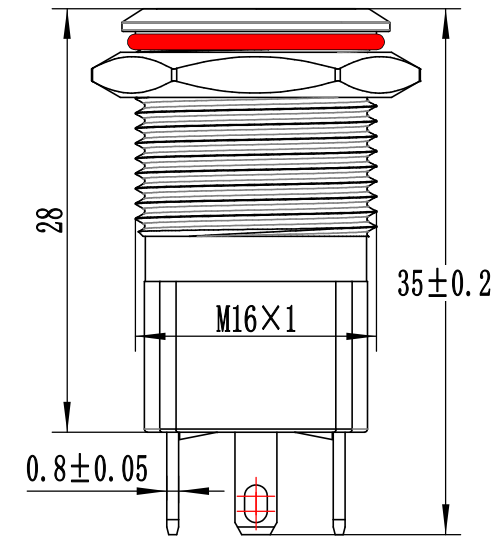
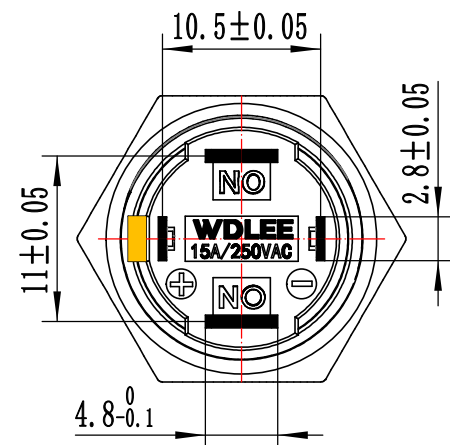
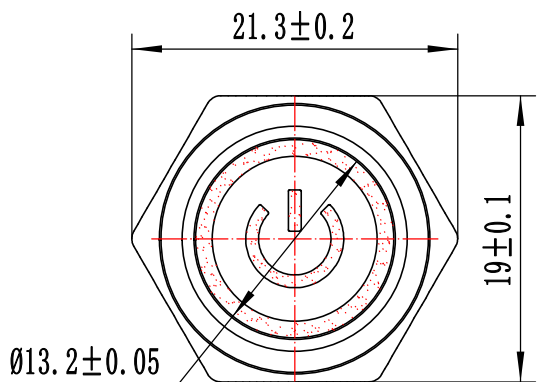
Contact thickness 1.9mm

Authoritative Certification Quality Assurance

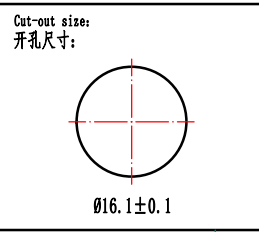
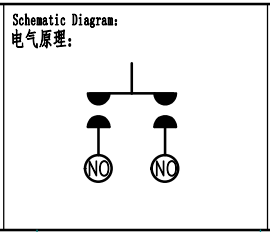
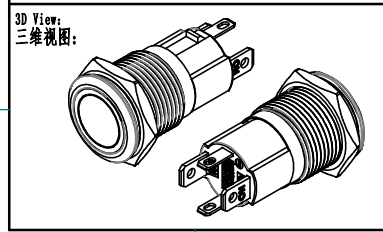
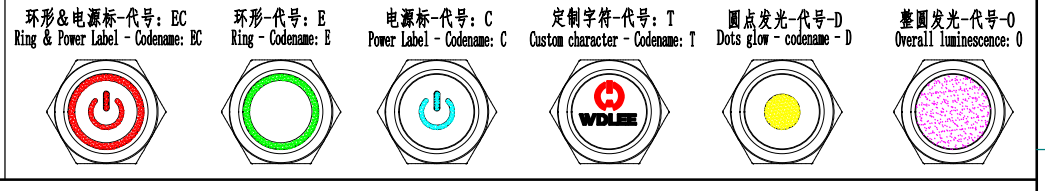
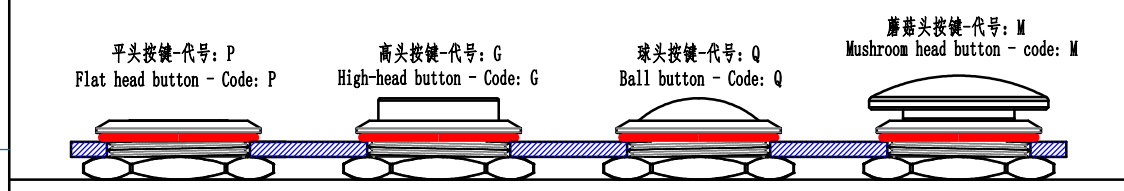
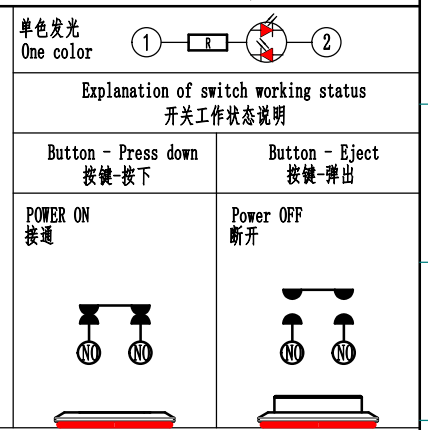




未经万度电气书面允许，严禁打印和复印



Mounting hole diameter 安装孔直径	16~16.2mm	Switch combinations 开关组合	1NO (一常开)	Housing material 外壳材质	SUS304/Brass nickel-plated/aluminum alloy anodized SUS304/黄铜镀镍/铝合金阳极氧化	
Switching voltage 开关电压	1.5V~250VAC/DC	Lamp bead voltage 灯珠电压	AC/DC: 3.3V, 6V, 9V, 12V, 24V, 36V, 48V, 110V, 220V	Key Material 按键材质	PC&SUS316 聚碳&不锈钢SUS316	
Current rating: 额定电流:	Resistive loads 阻性负载	DC-13:12V/24V 10A AC-15:110V/250V 15A	Lamp bead current 灯珠电流	2mA~20mA	Contact material 触点材质	Silver tin oxide alloy contacts 银氧化锡合金触点
	Inductive loads 感性负载	AC-15:110V/250V 4A DC-13:110V 4A	PIN pin style PIN脚样式	Switch pin 4.8 x 0.8&LED pin 2.8 x 0.5 开关插针4.8×0.8&LED插针2.8×0.5	Electrical life 电气寿命	DC-13:12V/24V 10A >30,000 times AC-15:110V/250V 15A >3万次
Rated heating current 额定发热电流	ith: 15A/250VAC	Base material 基座材质	Modified nylon PA66 改性尼龙PA66	Contact resistance 接触阻值	≤50mΩ	
Waterproof rating 防水等级	IP65 at the end of the button, IP67 optional 按键端IP65&IP67	Dielectric strength 绝缘强度	≥100MΩ 500VDC /h	Press down on pressure 按键下压力	Approximately 2.5~4N 约2.5~4N	
Ambient temperature 环境温度	-30℃~85℃	Compressive strength 耐压强度	Pins and housings 2500VAC 20mA/min 引脚与外壳 2500VAC 20mA/min	Button travel 按键行程	The key stroke is 3mm and the contact stroke is 1.5mm 按键行程3mm 接触行程1.5mm	
Form of work 工作形式	Self-locking/self-resetting (optional) 自锁式/自复式(可选)	Glowing color 发光颜色	Red, green, yellow, blue, white 红、绿、黄、蓝、白			



PART NAME: 零件名称:	WD16D Series Pushbutton Switches Datasheet WD16D系列按钮开关规格书
PART No.:	WD16D-P1-EC-GGS01
浙江万度电气有限公司 Zhejiang Wandu Electric Co., Ltd	

MATERIAL: 材料:	/
SCALE: 比例:	2:1
SHEET: 页数:	3 OF 1 第 1 页 共 3 页
PART No.:	/

DRAWN: 绘图:	彭翔翔 日期 2024.03.13
CHECK: 审核:	彭翔翔 日期 2024.03.13
APPROVAL: 批准:	彭翔翔 日期 2024.03.13
VERISON: 版本:	V0.0

WEIGHT(g): 重量:	10
UNIT: 单位:	mm
SIZE: 图幅:	A4
PROJECTION: 投影:	



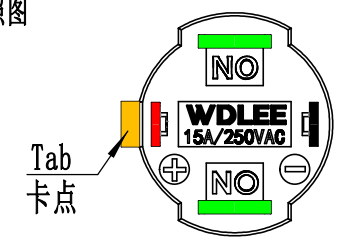
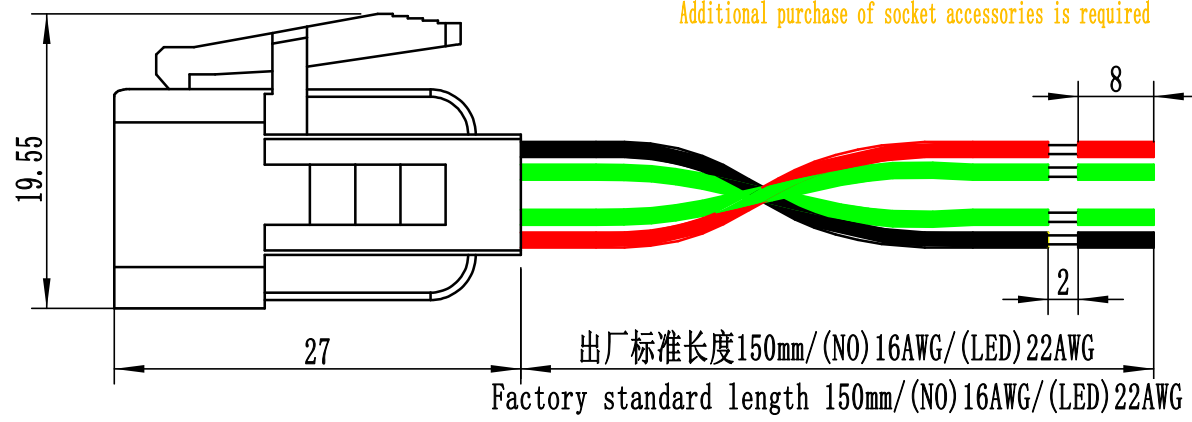
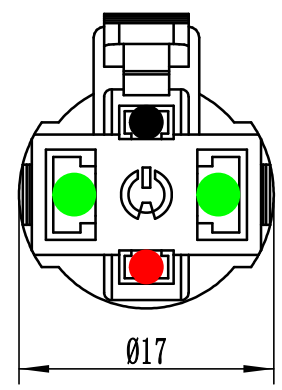
未经万度电气书面允许，严禁打印和复印

插座配件需额外购买

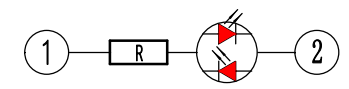
Additional purchase of socket accessories is required

PIN pin comparison diagram

PIN脚对照图

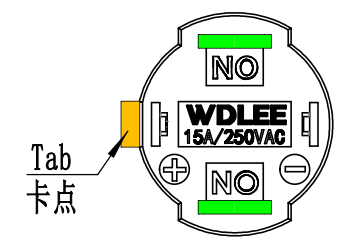
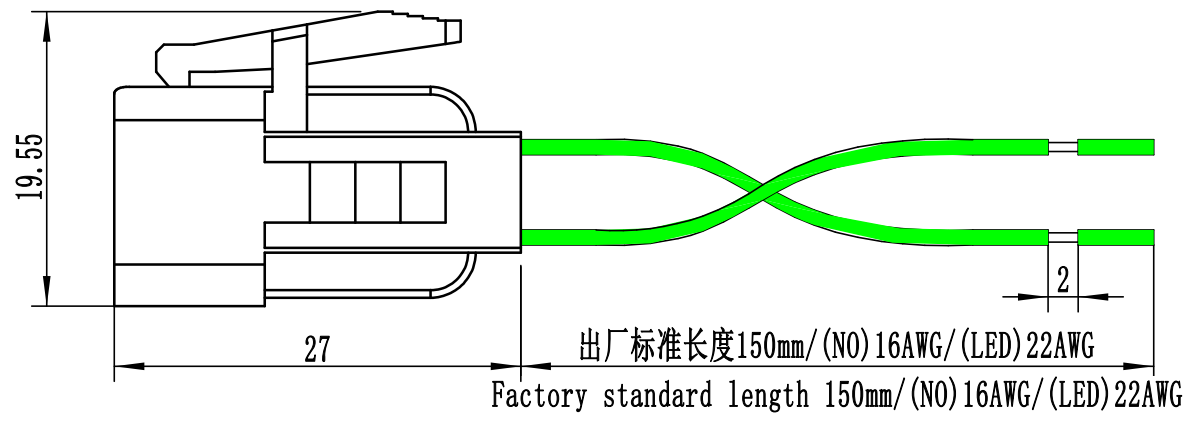
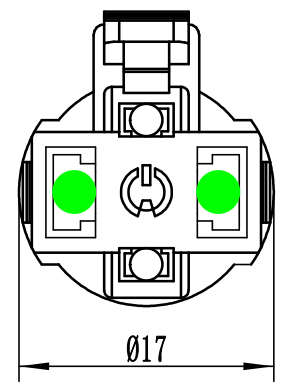


单色无极性
One color



PIN pin comparison diagram

PIN脚对照图



无灯
No lamp



接线时请参考规格书，带电作业请做好绝缘防护！

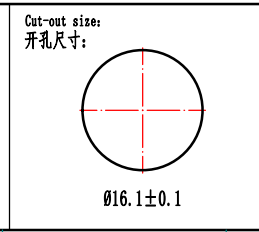
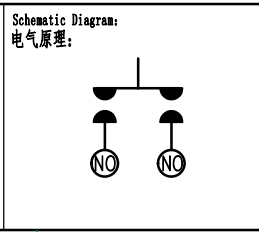
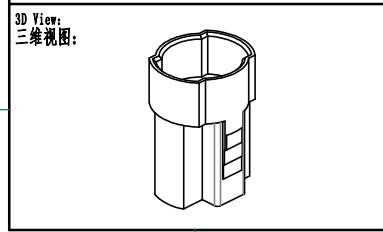
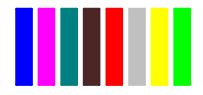
Please refer to the specifications when wiring, and do insulation protection when working with electricity!

多种发光颜色可选
Multiple luminous colors available



客户可根据实际需求在线束末端定制连接端子
Customers can customize connection terminals at the end of the wire harness according to their actual needs.

客户可根据实际需求定制线材颜色
Customers can customize wire colors according to their actual needs.



PART NAME: 零件名称:	WD16D series button switch specification sheet WD16D系列按钮开关规格书
PART No.: 零件编号:	WD16D-P1-GGS01
浙江万度电气有限公司 Switch on worry-free Zhejiang Wandu Electric Co., Ltd	

MATERIAL: 材料:	/
SCALE: 比例:	2:1
SHEET: 页数:	3 OF 2 第 2 页 共 3 页
PART No.: 料号:	/

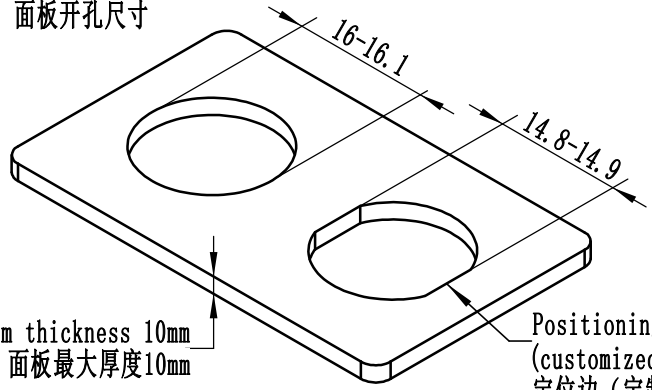
DRAWN: 绘图:	彭翔翔 日期 2024.03.10
CHECK: 审核:	彭翔翔 日期 2024.03.10
APPROVAL: 批准:	彭翔翔 日期 2024.03.10
VERISON: 版本:	V0.0

WEIGHT(g): 重量:	10
UNIT: 单位:	mm
SIZE: 图幅:	A4
PROJECTION: 投影:	



未经万度电气书面允许，严禁打印和复印

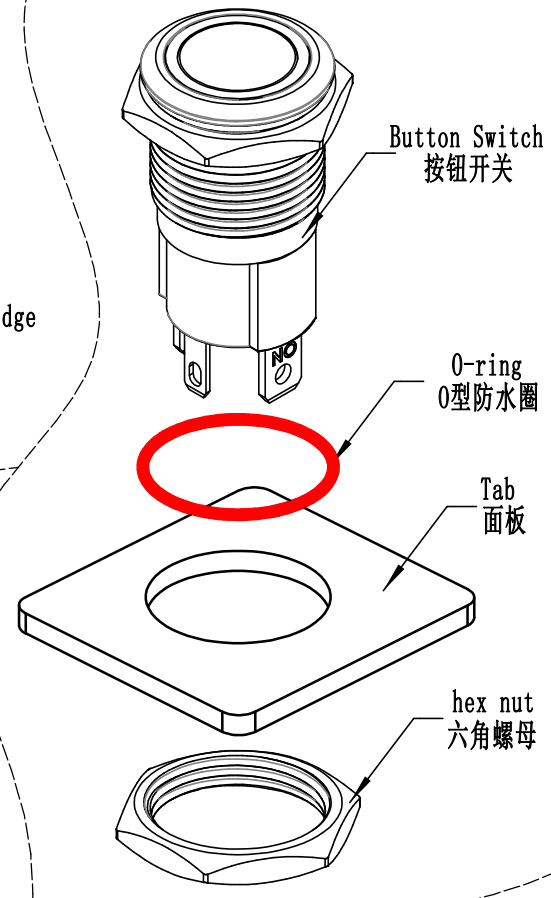
Panel opening size
面板开孔尺寸



Maximum thickness 10mm
面板最大厚度10mm

Positioning edge
(customized)
定位边 (定制)

Installation method diagram
安装方法示意图



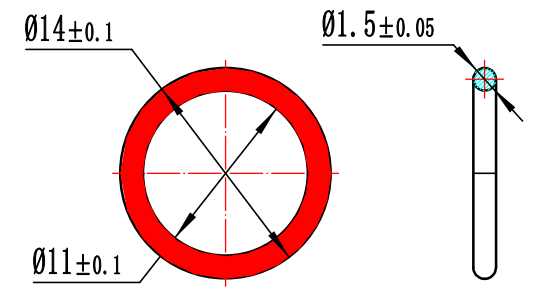
Button Switch
按钮开关

0-ring
0型防水圈

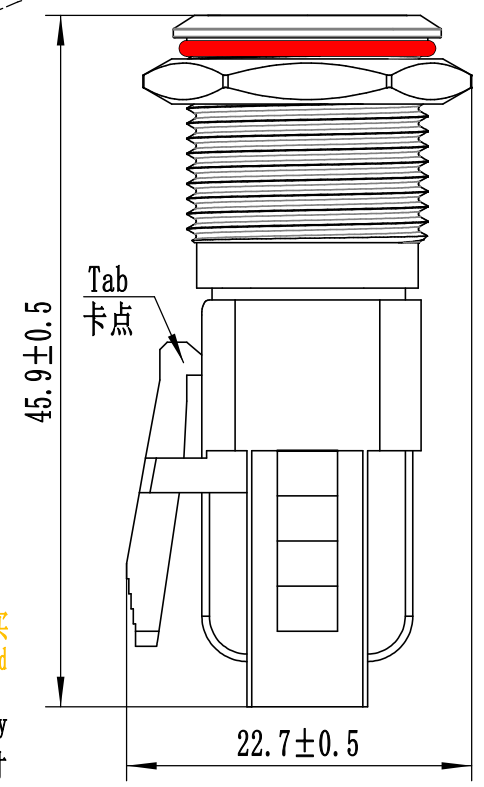
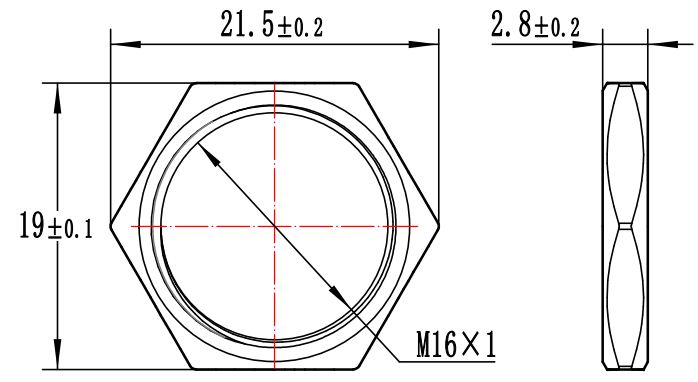
Tab
面板

hex nut
六角螺母

Attachment: 0-shaped silicone waterproof ring
附件: 0型硅胶防水圈



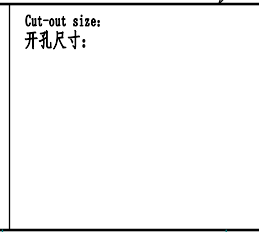
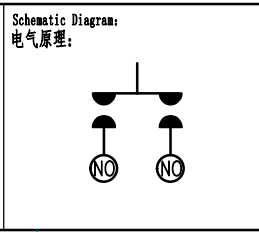
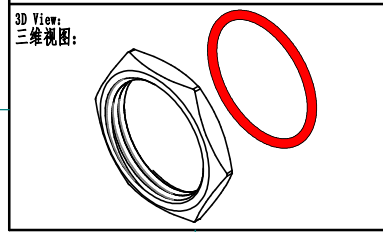
Attachment: Hexagonal Nut
附件: 六角螺母



插座配件需额外购买

Additional purchase of socket accessories is required

External dimensions of switch and socket assembly
开关与插座组装外形尺寸



PART NAME: 零件名称:	WD16A Series Lighted Pushbutton Switch Datasheet WD16A系列带灯按钮开关规格书
PART No.: 零件编号:	WD16A-P11-EC-GGS01
浙江万度电气有限公司 Switch on worry-free Zhejiang Wandu Electric Co., Ltd	

MATERIAL: 材料:	/
SCALE: 比例:	2:1
SHEET: 页数:	3 OF 3 第 3 页 共 3 页
PART No.: 料号:	/

DRAWN: 绘图:	彭翔翔 日期 2024.03.13
CHECK: 审核:	彭翔翔 日期 2024.03.13
APPROVAL: 批准:	彭翔翔 日期 2024.03.13
VERISON: 版本:	V0.0

WEIGHT(g): 重量:	10
UNIT: 单位:	mm
SIZE: 图幅:	A4
PROJECTION: 投影:	