

WD-C series Metal touch button

Short journey, short body



Plug-in Terminal

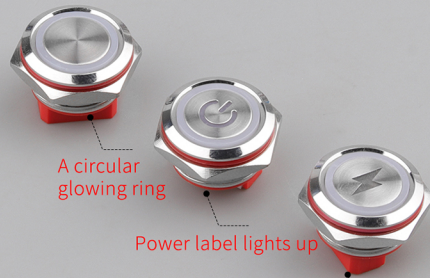


Multiple colors of light



Multiple styles available

We have everything you want



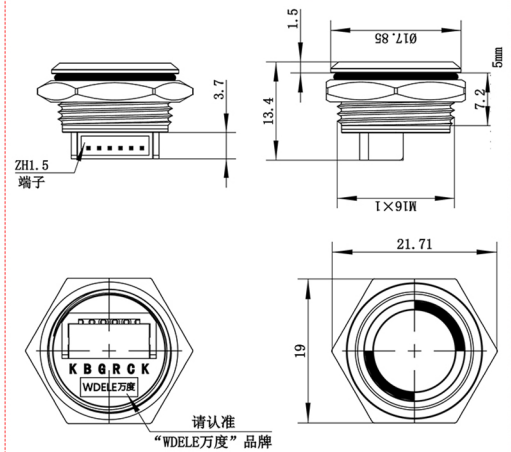
A circular glowing ring

Power label lights up

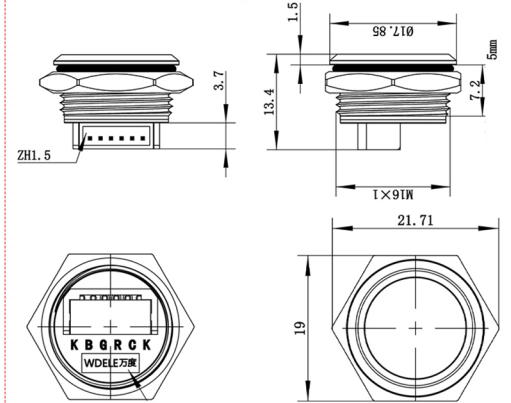
Lightning customized pattern

Switching Voltage	3~36V/DC
Switching Current	50mA
Switch combination	1NO
LED color	Red, green, and blue co yin/co yang (customizable)
mechanical life	50mA/36V DC (100000 times)
contact resistance	≤100MΩ
Connection	MX1.25 terminal
Opening diameter	16mm

Size with lights



No light size



Waterproof



High quality service



Quality Assurance

Efficient waterproof up to IP67

Eliminating tedious welding process
Make wiring safe and simple



Increase Finger contact area

It's easy to press with big fingers



PA66 flame-retardant base
Thermal insulation and
high temperature resistance



Corresponding foot letters/numbers
More recognizable



Dedicated patch Terminals Wiring is fast

Eliminating tedious welding process
Make wiring safe and simple



Connect quickly, one step

The default line length is 15cm
(customizable line length)



Terminal head display

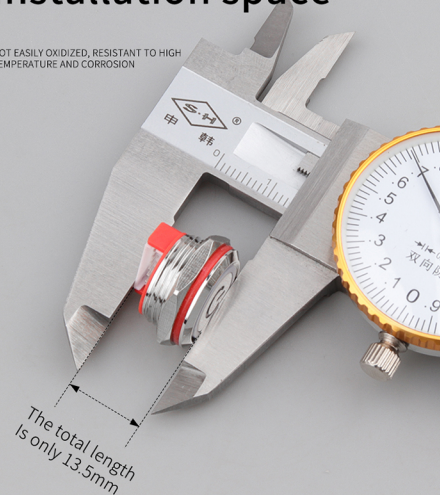


Customizable terminal blocks at the rear

Wire: 26AWG brass tin plated

Short version saves Installation space

NOT EASILY OXIDIZED, RESISTANT TO HIGH TEMPERATURE AND CORROSION



The total length is only 13.5mm

Authoritative certification And quality assurance



SGS

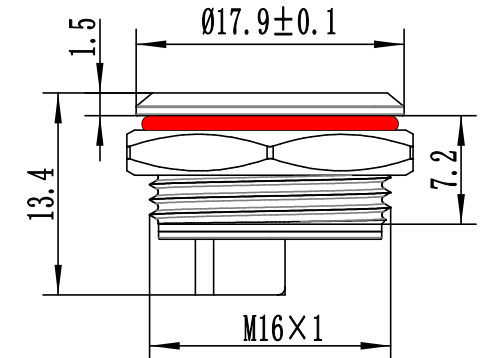
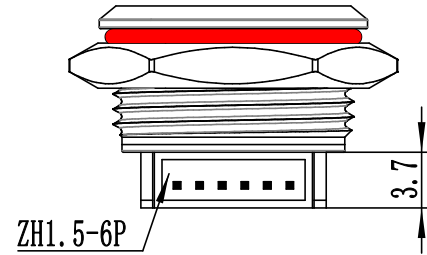
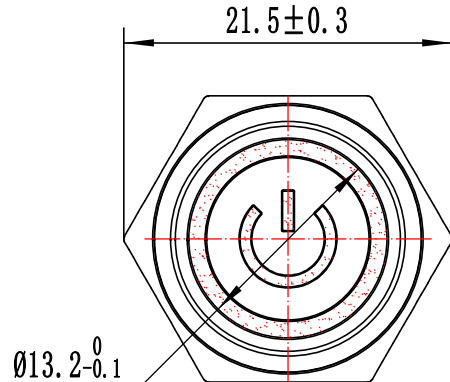
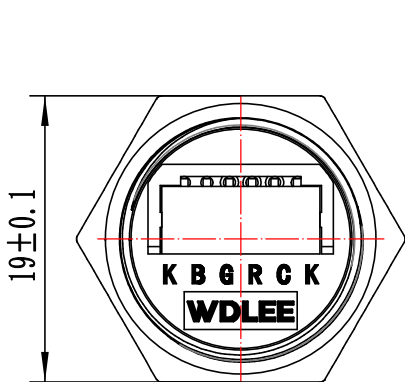
CE

CCC

TÜV Rheinland



未经万度电气书面允许，严禁打印和复印

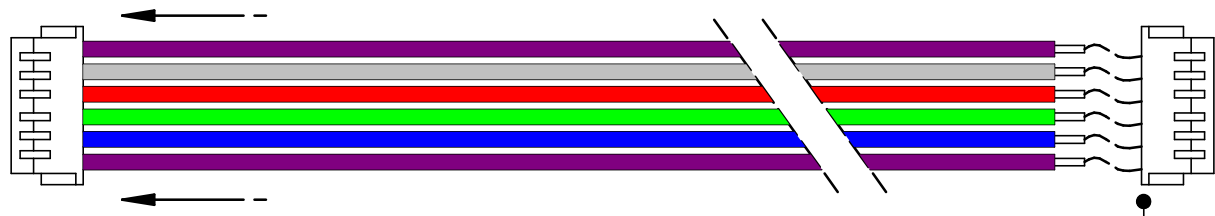
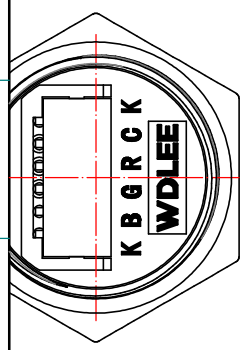
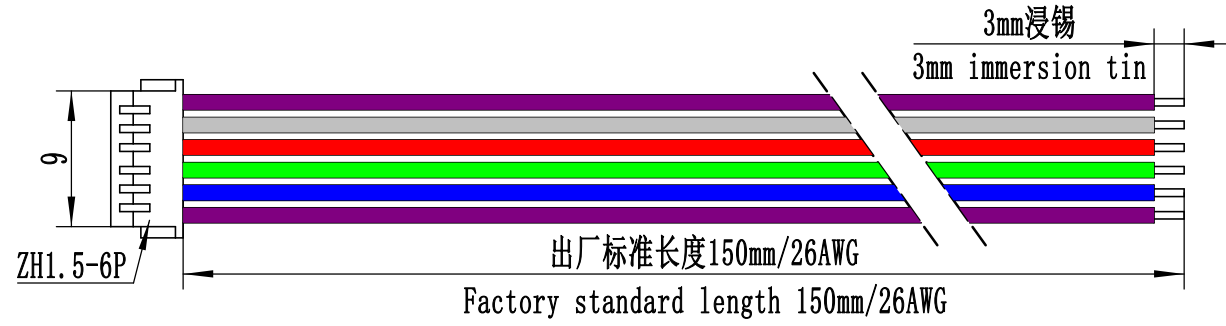
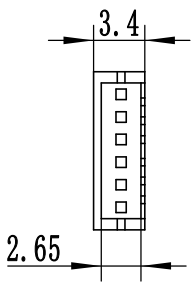
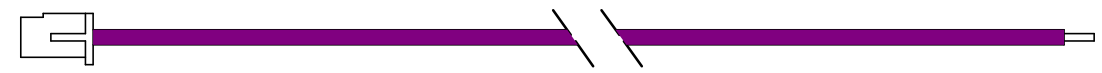
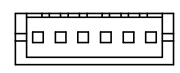
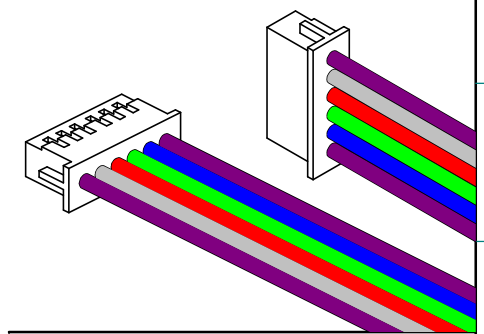
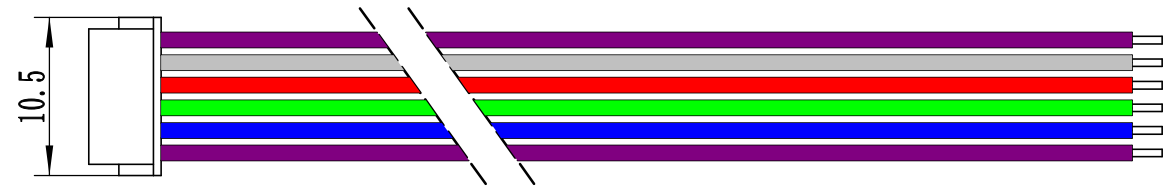


Mounting hole diameter 安装孔直径	16~16.2mm	Switch combinations 开关组合	1NO (一常开)	Housing material 外壳材质	SUS304/Brass nickel-plated/aluminum alloy anodized SUS304/黄铜镀镍/铝合金阳极氧化	Initial state 初始状态
Switching voltage 开关电压	1.5V~250VAC/DC	Lamp bead voltage 灯珠电压	AC/DC: 3.3V, 6V, 9V, 12V, 24V	Key Material 按键材质	PC&SUS316 聚碳&不锈钢SUS316	Explanation of switch working status 开关工作状态说明
Current rating: 额定电流:	Resistive loads 阻性负载	DC-13:12V/24V 50mA	Lamp bead current 灯珠电流	2mA~20mA	Contact material 触点材质	H65 silver plating H65镀银
	Inductive loads 感性负载		PIN pin style PIN脚样式	ZH1.5-6P PIN ZH1.5-6P端子	Electrical life 电气寿命	DC-13:12V/24V 20mA >100,000 times
Rated heating current 额定发热电流	ith: 3A/250VAC	Base material 基座材质	Modified nylon PA66 改性尼龙PA66	Contact resistance 接触阻值	Contact resistance ≤50mΩ	Button - Press down 按键-按下
Waterproof rating 防水等级	IP67 at the end of the button 按键端IP67	Dielectric strength 绝缘强度	≥100MΩ 500VDC /h	Press down on pressure 按键下压力	Approximately 2.5~4N 约2.5~4N	POWER ON 接通
Ambient temperature 环境温度	-30℃~85℃	Compressive strength 耐压强度	Pins and housings 1500VAC 20mA/min 引脚与外壳 1500VAC 20mA/min	Button travel 按键行程	The key stroke is 2.5mm and the contact stroke is 1mm 按键行程2.5mm 接触行程1mm	Button - Eject 按键-弹出
Form of work 工作形式	Self-locking 自复式	Glowing color 发光颜色	Red, Green, Yellow, Blue, White (Red-Green-Blue, Red-Green-Yellow, Support Customization) 红、绿、黄、蓝、白(红绿蓝、红绿黄、支持定制)			Power OFF 断开

平头按键-代号: P Flat head button - Code: P 高头按键-代号: G High-head button - Code: G 球头按键-代号: Q Ball button - Code: Q 蘑菇头按键-代号: M Mushroom head button - code: M

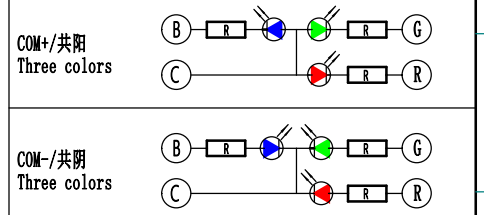
环型&电源标-代号: EC Ring & Power Label - Codename: EC 环型-代号: E Ring - Codename: E 电源标-代号: C Power Label - Codename: C 定制字符-代号: T Custom character - Codename: T 圆点发光-代号-D Dots glow - codename - D 整圆发光-代号-O Overall luminescence: O

3D View: 三维视图:	Schematic Diagram: 电气原理:	Cut-out size: 开孔尺寸:	PART NAME: 零件名称:	MATERIAL: 材料:	DRAWN: 绘图:	WEIGHT(g): 重量:
			WD16C1-P0 series button switch specification sheet WD16C1-P0系列按钮开关规格书	/	彭翔翔 日期 2024.02.29	10
			PART No.: 零件编号:	SCALE: 比例:	CHECK: 审核:	UNIT: 单位:
			WD16C1-P0-E-GGS01	2:1	彭翔翔 日期 2024.02.29	mm
			 浙江万度电气有限公司 Zhejiang Wandu Electric Co., Ltd	SHEET: 页数:	APPROVAL: 批准:	SIZE: 图幅:
				3 OF 1 第 1 页 共 3 页	彭翔翔 日期 2024.02.29	A4
			PART No.: 料号:	VERISON: 版本:		PROJECTION: 投影:
			/	V0.0		



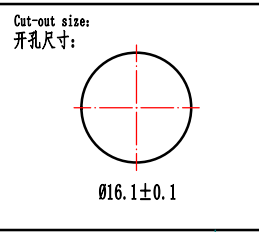
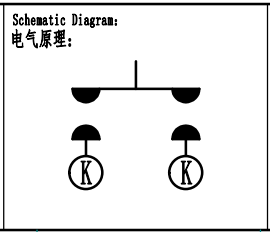
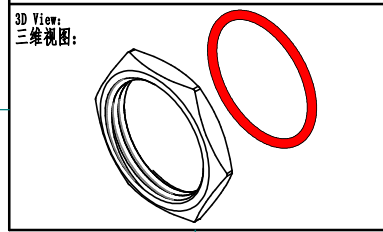
Plug-in terminals can be customized at the end of the harness
线束末端可定制接插端子

客户可根据实际需求定制线材颜色
Customers can customize wire colors according to their actual needs.



PIN Pin Definition Description
PIN脚定义解析

K	Switching signal inputs/outputs 开关信号输入/输出
C	LED power input on the common side LED电源输入到公共端
K	Switching signal inputs/outputs 开关信号输入/输出
R	Red LED signal input 红色LED信号输入
G	Green LED signal input 绿色LED信号输入
B	Blue LED signal input 蓝色LED信号输入



PART NAME: WD16C1-P0 series button switch specification sheet
零件名称: WD16C1-P0系列按钮开关规格书

PART No.: WD16C1-P0-E-GGS01

MATERIAL: /
材料: /

SCALE: 2:1

SHEET: 3 OF 2
页数: 第 2 页 共 3 页

PART No.: 弘光定制款式
料号:

WDLEE 浙江万度电气有限公司
Switch on worry-free Zhejiang Wandu Electric Co., Ltd

DRAWN: 彭翔翔 日期 2024.03.14
绘图: 彭翔翔 日期 2024.03.14

CHECK: 彭翔翔 日期 2024.03.14
审核: 彭翔翔 日期 2024.03.14

APPROVAL: 彭翔翔 日期 2024.03.14
批准:

VERISON: V0.0
版本:

WEIGHT(g): 10
重量:

UNIT: mm
单位:

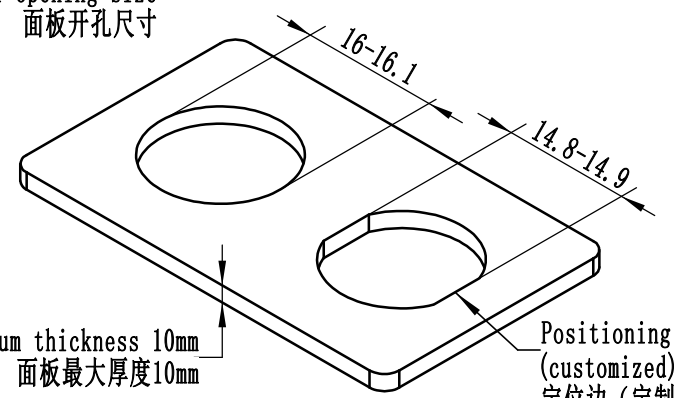
SIZE: A4
图幅:

PROJECTION: 投影:



未经万度电气书面允许，严禁打印和复印

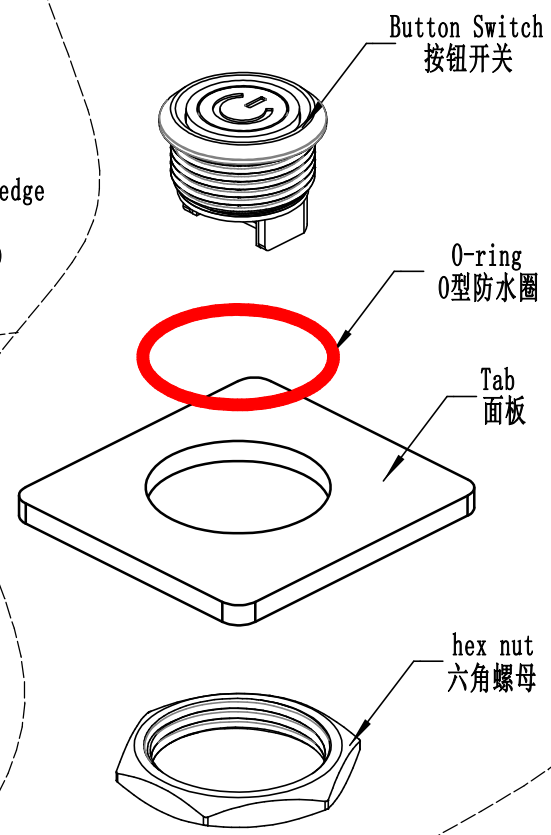
Panel opening size
面板开孔尺寸



Maximum thickness 10mm
面板最大厚度10mm

Positioning edge
(customized)
定位边 (定制)

Installation method diagram
安装方法示意图



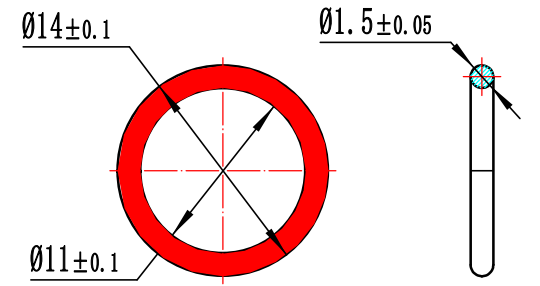
Button Switch
按钮开关

O-ring
O型防水圈

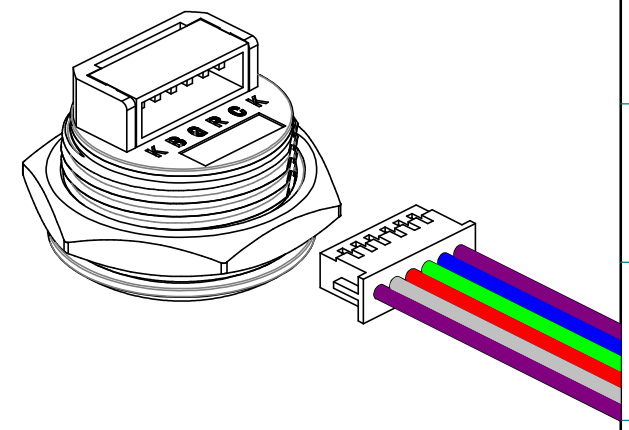
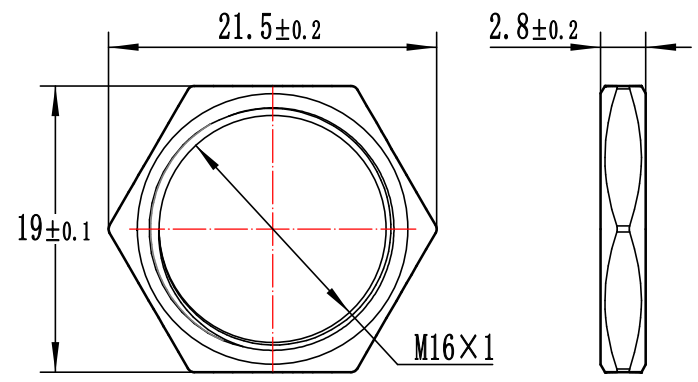
Tab
面板

hex nut
六角螺母

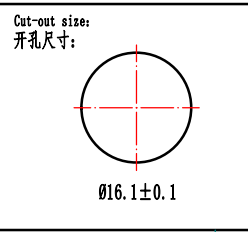
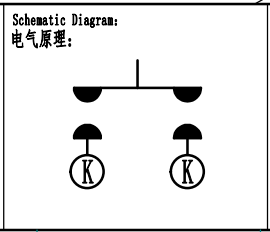
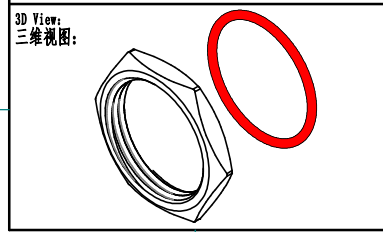
Attachment: O-shaped silicone waterproof ring
附件: O型硅胶防水圈



Attachment: Hexagonal Nut
附件: 六角螺母



连接时注意辨别反向!
Pay attention to the reverse when connecting!



PART NAME: 零件名称:	WD16C1-P0 series button switch specification sheet WD16C1-P0系列按钮开关规格书	MATERIAL: 材料:	/ /	DRAWN: 绘图:	彭翔翔 日期 2024.03.14	WEIGHT(g): 重量:	10
PART No.:	零件编号: WD16C1-P0-E-GGS01	SCALE: 比例:	2:1	CHECK: 审核:	彭翔翔 日期 2024.03.14	UNIT: 单位:	mm
浙江万度电气有限公司 Zhejiang Wandu Electric Co., Ltd Switch on worry-free		SHEET: 页数:	3 OF 3 第 3 页 共 3 页	APPROVAL: 批准:	彭翔翔 日期 2024.03.14	SIZE: 图幅:	A4
		PART No.:	料号:	/	VERISON: 版本:	V0.0	PROJECTION: 投影:

PART NAME: 零件名称:	WD16C1-P0 series button switch specification sheet WD16C1-P0系列按钮开关规格书	MATERIAL: 材料:	/ /	DRAWN: 绘图:	彭翔翔 日期 2024.03.14	WEIGHT(g): 重量:	10
PART No.:	零件编号: WD16C1-P0-E-GGS01	SCALE: 比例:	2:1	CHECK: 审核:	彭翔翔 日期 2024.03.14	UNIT: 单位:	mm
浙江万度电气有限公司 Zhejiang Wandu Electric Co., Ltd Switch on worry-free		SHEET: 页数:	3 OF 3 第 3 页 共 3 页	APPROVAL: 批准:	彭翔翔 日期 2024.03.14	SIZE: 图幅:	A4
		PART No.:	料号:	/	VERISON: 版本:	V0.0	PROJECTION: 投影:

PART NAME: 零件名称:	WD16C1-P0 series button switch specification sheet WD16C1-P0系列按钮开关规格书	MATERIAL: 材料:	/ /	DRAWN: 绘图:	彭翔翔 日期 2024.03.14	WEIGHT(g): 重量:	10
PART No.:	零件编号: WD16C1-P0-E-GGS01	SCALE: 比例:	2:1	CHECK: 审核:	彭翔翔 日期 2024.03.14	UNIT: 单位:	mm
浙江万度电气有限公司 Zhejiang Wandu Electric Co., Ltd Switch on worry-free		SHEET: 页数:	3 OF 3 第 3 页 共 3 页	APPROVAL: 批准:	彭翔翔 日期 2024.03.14	SIZE: 图幅:	A4
		PART No.:	料号:	/	VERISON: 版本:	V0.0	PROJECTION: 投影: