

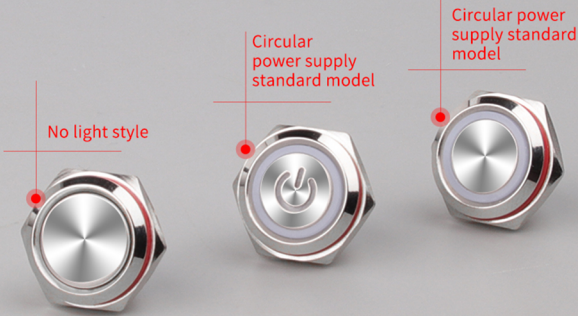
## WD-C series Metal touch button

Short journey, short body



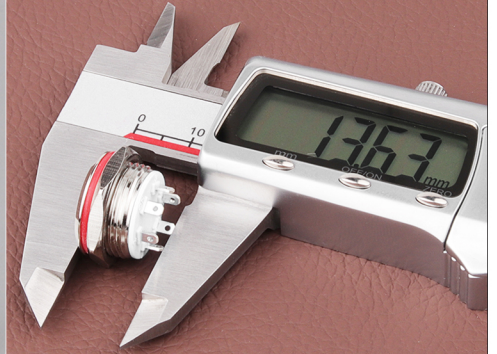
# Multiple styles To choose from

We have everything you want



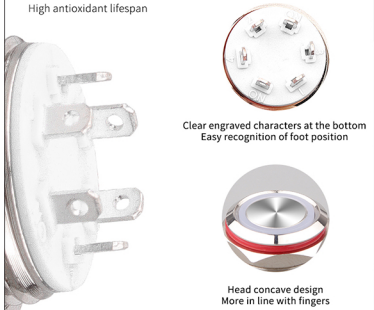
## Short version saves Installation space

Not easily oxidized, resistant to high temperature and corrosion



## Silver plated pins Conductive stability

High antioxidant lifespan



Clear engraved characters at the bottom  
Easy recognition of foot position

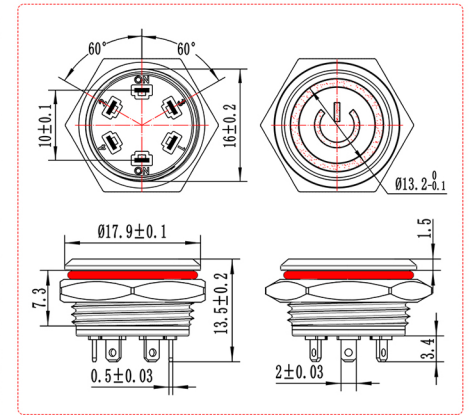
Head concave design  
More in line with fingers

## Efficient waterproof up to **IP67**

Eliminating tedious welding process  
Make wiring safe and simple



Switching Voltage	3-36V/DC
Switching Current	50mA
Switch combination	1NO
LED color	Red, green, and blue co yin/co yang (customizable)
mechanical life	50mA/36V DC (100000 times)
contact resistance	≤100MΩ
Insulation strength	≥100MΩ 500VDC /h
Opening diameter	16mm



## Authentic materials Exquisite craftsmanship

Internally, copper headed four legged patches are used for light touch  
More stable contact performance  
crisp sound, and good hand feel

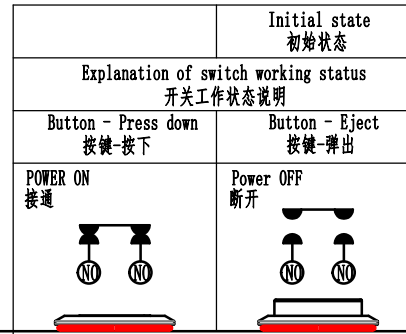
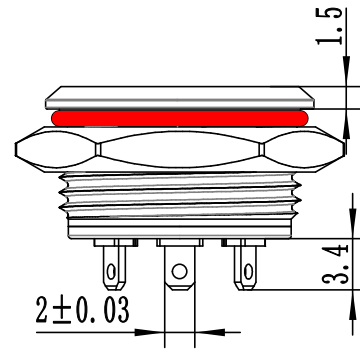
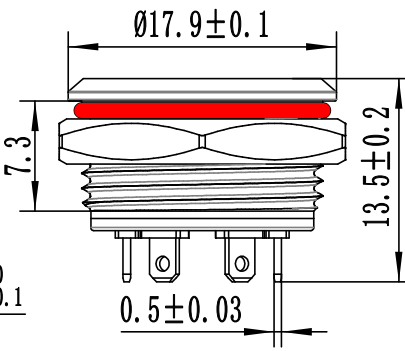
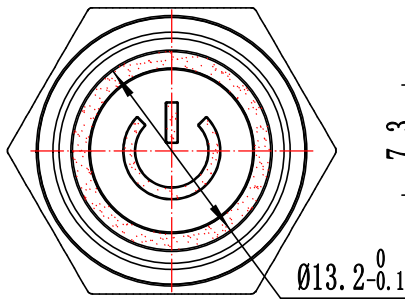
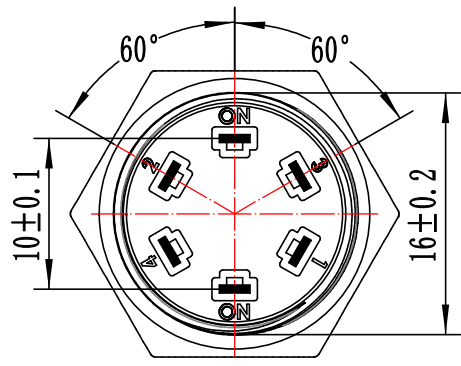


## Authoritative certification And quality assurance

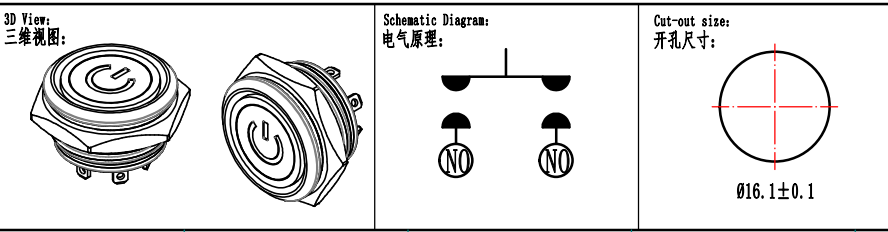
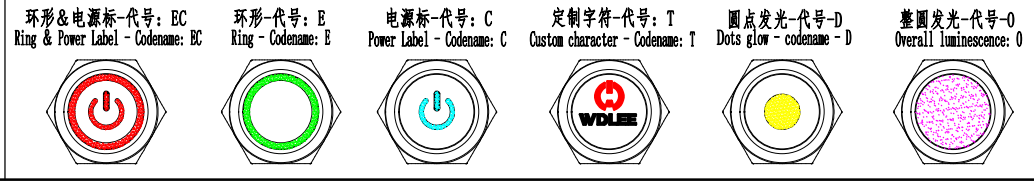
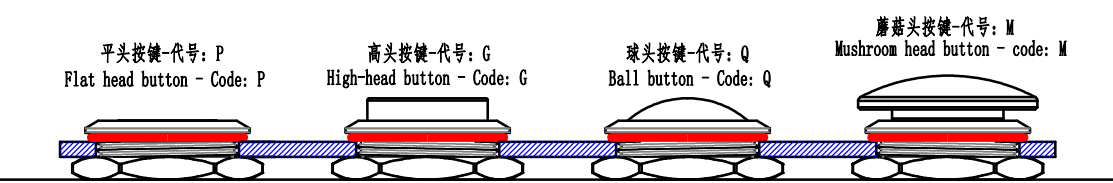
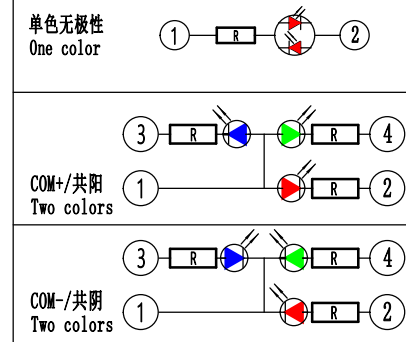




未经万度电气书面允许，严禁打印和复印



Mounting hole diameter 安装孔直径	16~16.2mm	Switch combinations 开关组合	1NO (一常开)	Housing material 外壳材质	SUS304/Brass nickel-plated/aluminum alloy anodized SUS304/黄铜镀镍/铝合金阳极氧化	
Switching voltage 开关电压	1.5V~24V/DC	Lamp bead voltage 灯珠电压	AC/DC: 3.3V、6V、9V、12V、24V	Key Material 按键材质	PC&SUS316 聚碳&不锈钢SUS316	
Current rating: 额定电流:	Resistive loads 阻性负载	DC-13:12V/24V 100mA	Lamp bead current 灯珠电流	2mA~20mA	Contact material 触点材质	H65 silver plating H65镀银
	Inductive loads 感性负载		PIN pin style PIN脚样式	2mm Solder pins 2mm 焊接引脚	Electrical life 电气寿命	DC-13:12V/24V 20mA >100,000 times
Rated heating current 额定发热电流	ith: 100mA/36VDC	Base material 基座材质	Modified nylon PA66 改性尼龙PA66	Contact resistance 接触阻值	Contact resistance ≤50mΩ	
Waterproof rating 防水等级	IP67 at the end of the button 按键端IP67	Dielectric strength 绝缘强度	≥100MΩ 500VDC/h	Press down on pressure 按键下压力	Approximately 2.5~4N 约2.5~4N	
Ambient temperature 环境温度	-30℃~85℃	Compressive strength 耐压强度	Pins and housings 1500VAC 20mA/min 引脚与外壳 1500VAC 20mA/min	Button travel 按键行程	The key stroke is 0.5mm and the contact stroke is 0.3mm 按键行程0.5mm 接触行程0.3mm	
Form of work 工作形式	Self-locking 自复式	Glowing color 发光颜色	Red, green, yellow, blue, white (support two-color, three-color, multi-color customization) 红、绿、黄、蓝、白(支持双色、三色、多色定制)			

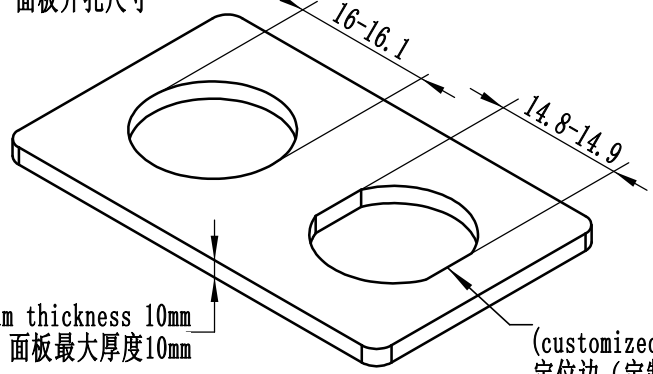


PART NAME: 零件名称:	WD16C-P1 Series Lighted Pushbutton Switch Datasheet WD16C-P1系列带灯按钮开关规格书	MATERIAL: 材料:	/	DRAWN: 绘图:	彭翔翔 日期 2024.02.29	WEIGHT(g): 重量:	10
PART No.:	WD16C-P1-EC-GGS01	SCALE: 比例:	2:1	CHECK: 审核:	彭翔翔 日期 2024.02.29	UNIT: 单位:	mm
浙江万度电气有限公司 Zhejiang Wandu Electric Co., Ltd		SHEET: 页数:	1 OF 1 第 1 页 共 1 页	APPROVAL: 批准:	彭翔翔 日期 2024.02.29	SIZE: 图幅:	A4
		PART No.:	/	VERSION: 版本:	V0.0	PROJECTION: 投影:	

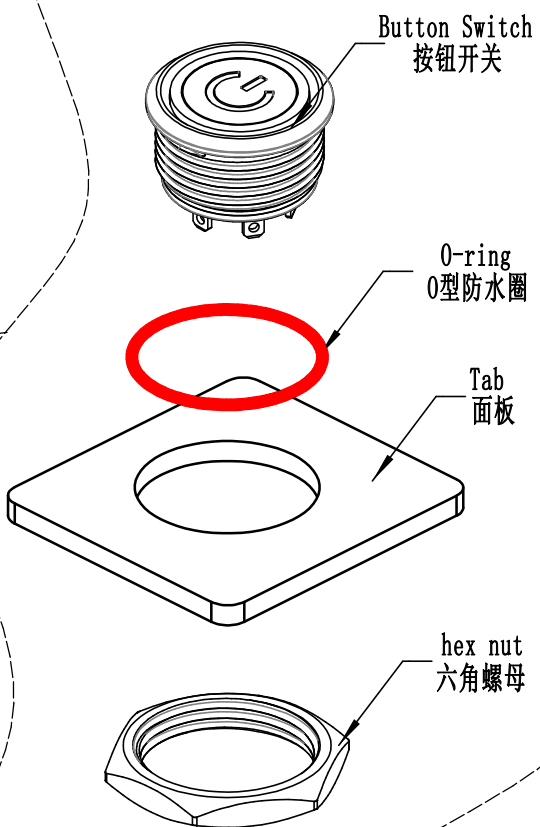


未经万度电气书面允许，严禁打印和复印

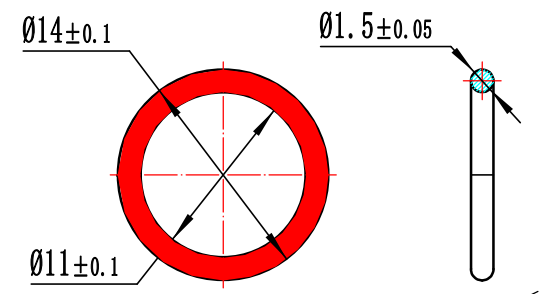
Panel opening size  
面板开孔尺寸



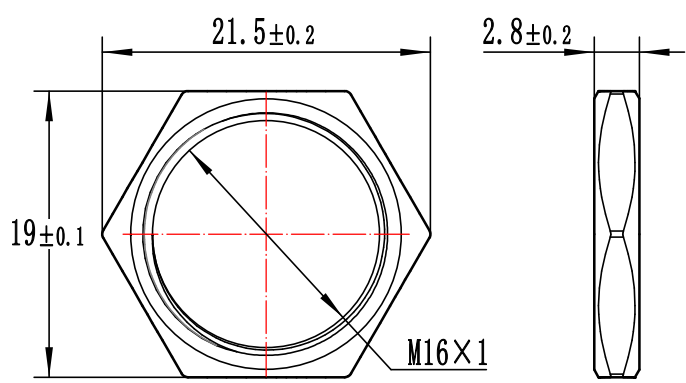
Installation method diagram  
安装方法示意图



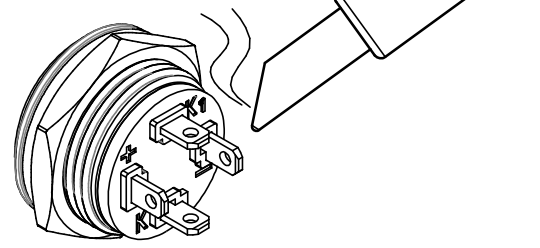
Attachment: O-shaped silicone waterproof ring  
附件: O型硅胶防水圈



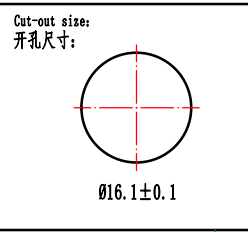
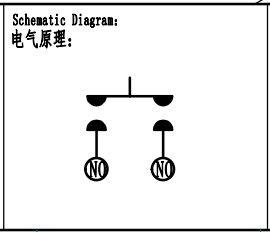
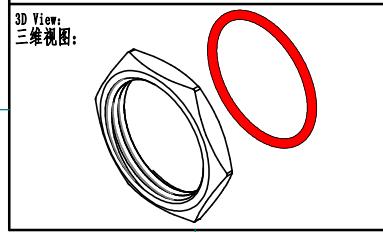
Attachment: Hexagonal Nut  
附件: 六角螺母



焊接需注意，烙铁温度不得超过280℃  
焊接时间不能超过3秒，以免损坏开关本体。  
Soldering should be noted that the temperature of the soldering iron should not exceed 280° C, and the soldering time should not exceed 3 seconds, so as not to damage the switch body.



焊接时请做好防护，避免烫伤!  
Please take good precautions when welding to avoid burns!



PART NAME: 零件名称:	WD16C-P1 series button switch specification sheet WD16C-P1系列按钮开关规格书
PART No.: 零件编号:	WD16C-P1-EC-GGS01
<b>浙江万度电气有限公司</b> Zhejiang Wandu Electric Co., Ltd	

MATERIAL: 材料:	/
SCALE: 比例:	2:1
SHEET: 页数:	2 OF 2 第 2 页 共 2 页
PART No.: 料号:	/

DRAWN: 绘图:	彭翔翔 日期 2024.03.14
CHECK: 审核:	彭翔翔 日期 2024.03.14
APPROVAL: 批准:	彭翔翔 日期 2024.03.14
VERISON: 版本:	V0.0

WEIGHT(g): 重量:	10
UNIT: 单位:	mm
SIZE: 图幅:	A4
PROJECTION: 投影:	