

## WD-C series Metal touch button

Short journey, short body



Plug terminals Multiple light colors



## Multiple styles available

We have everything you want



Waterproof High quality service Quality Assurance

## Efficient waterproof up to IP67

After rigorous testing, the waterproof performance is strong



## Increase Finger contact area

It's easy to press with big fingers



PA66 flame-retardant base  
Thermal insulation and  
high temperature resistance

Corresponding foot letters/numbers  
More recognizable

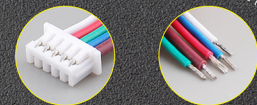
## Dedicated patch Terminals Wiring is fast

Eliminating tedious welding process  
Make wiring safe and simple



Connect quickly, one step

The default line length is 15cm  
(customizable line length)



Terminal head display

Customizable terminal  
blocks at the rear

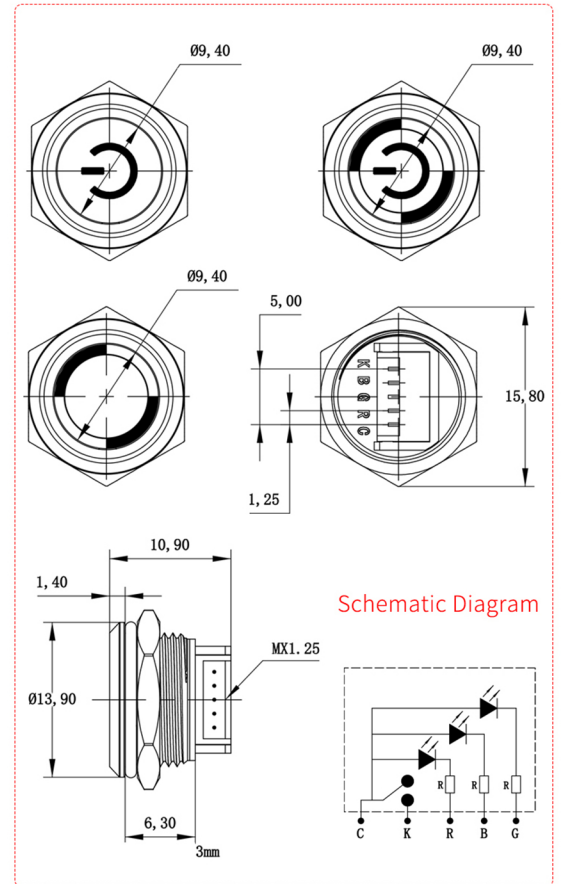
Wire: 26AWG brass tin plated

## Short version saves Installation space

Easily handle small spaces

The total length of the  
switch is 18.9mm

Switching Voltage	3-36V/DC
Switching Current	50mA
Switch combination	1NO
LED color	Red, green, and blue co yin/co yang (customizable)
mechanical life	50mA/36V DC (100000 times)
contact resistance	≤100MΩ
Connection	MX1.25 terminal
Opening diameter	12MM



## Authoritative certification and quality assurance



SGS

CE

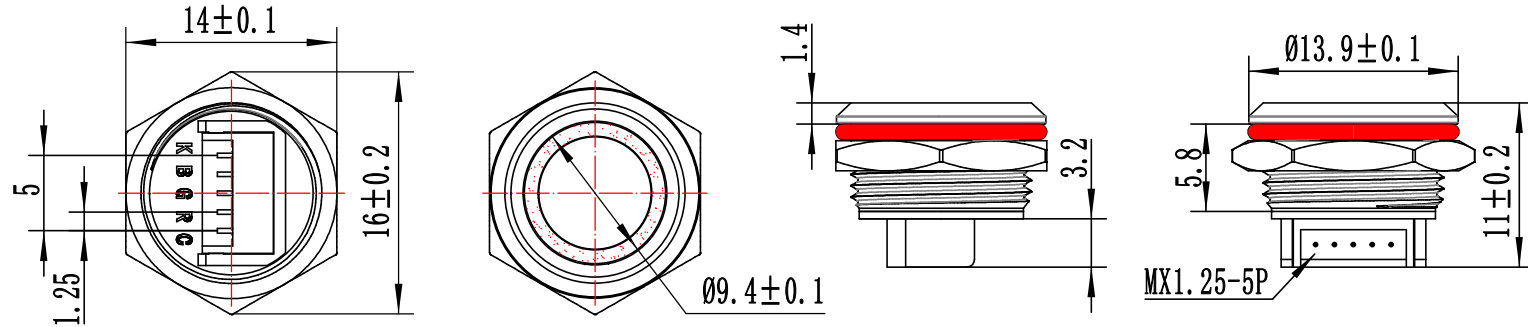
CCC

TÜV Rheinland

IP68

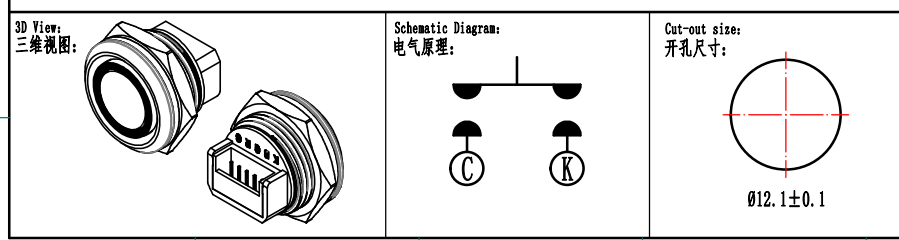
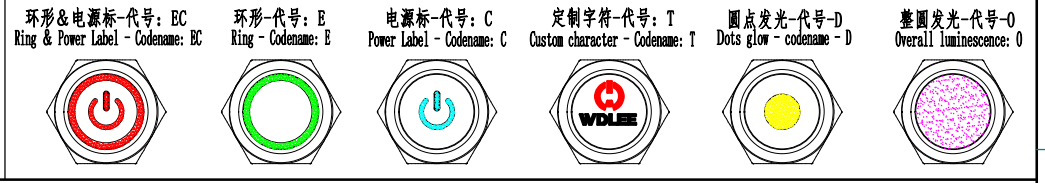
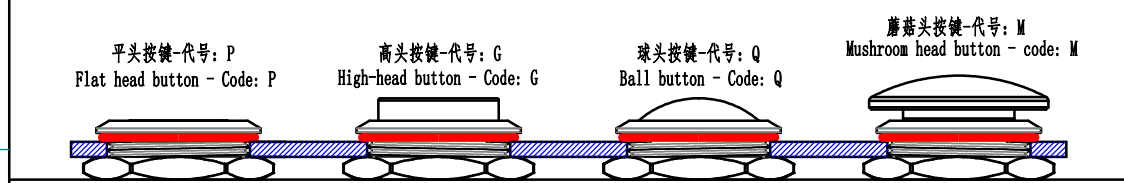
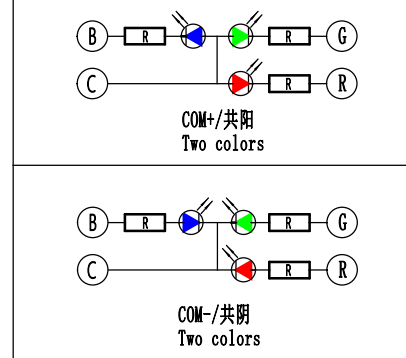


未经万度电气书面允许，严禁打印和复印

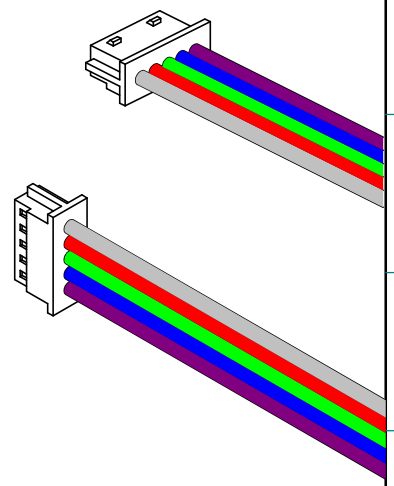
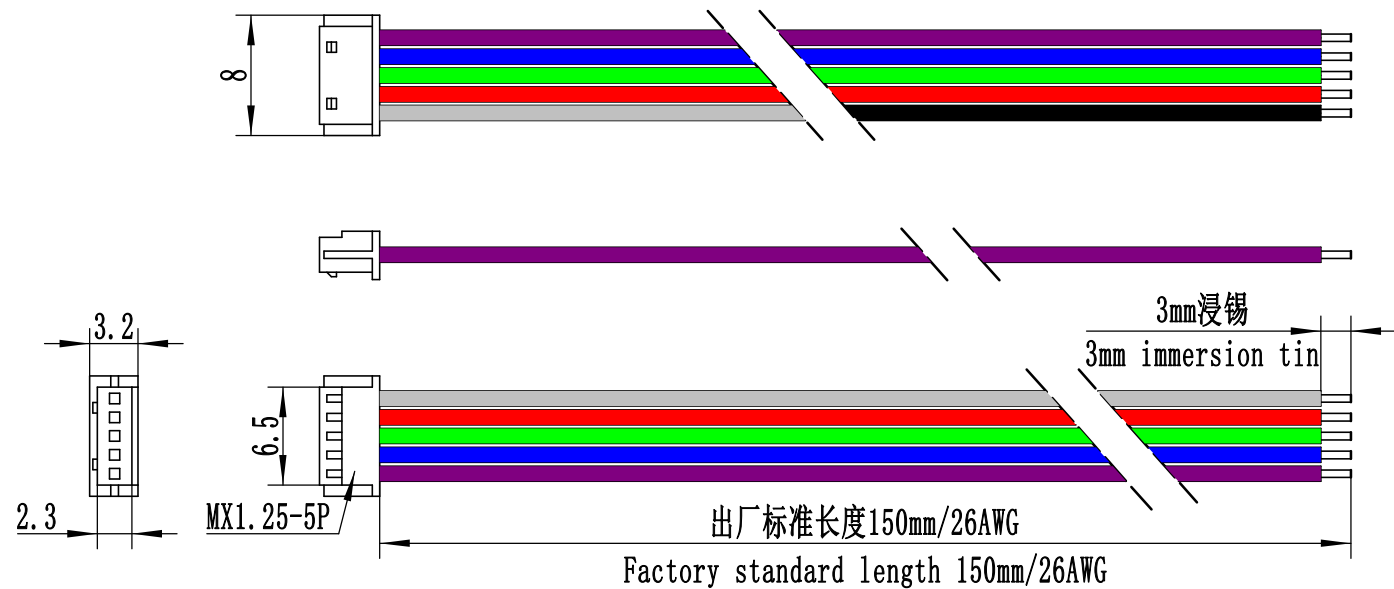


Initial state 初始状态	
Explanation of switch working status 开关工作状态说明	
Button - Press down 按键-按下	Button - Eject 按键-弹出
POWER ON 接通	Power OFF 断开

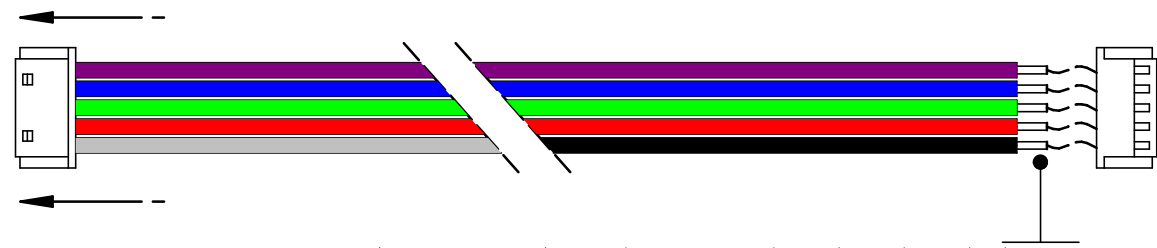
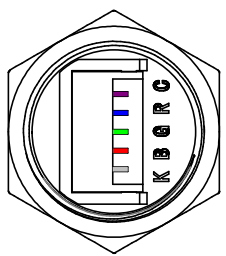
Mounting hole diameter 安装孔直径	12~12.2mm	Switch combinations 开关组合	1NO (一常开)	Housing material 外壳材质	SUS304/Brass nickel-plated/aluminum alloy anodized SUS304/黄铜镀镍/铝合金阳极氧化	
Switching voltage 开关电压	1.5V~250VAC/DC	Lamp bead voltage 灯珠电压	AC/DC: 3.3V, 6V, 9V, 12V, 24V	Key Material 按键材质	PC&SUS316 聚碳&不锈钢SUS316	
Current rating: 额定电流:	Resistive loads 阻性负载	DC-13:12V/24V 50mA	Lamp bead current 灯珠电流	2mA~20mA	Contact material 触点材质	H65 silver plating H65镀银
	Inductive loads 感性负载		PIN pin style PIN脚样式	MX1.25-5P PIN MX1.25-5P端子	Electrical life 电气寿命	DC-13:12V/24V 20mA >100,000 times
Rated heating current 额定发热电流	ith: 3A/250VAC	Base material 基座材质	Modified nylon PA66 改性尼龙PA66	Contact resistance 接触阻值	Contact resistance ≤50mΩ	
Waterproof rating 防水等级	IP67 at the end of the button 按键端IP67	Dielectric strength 绝缘强度	≥100MΩ 500VDC /h	Press down on pressure 按键下压力	Approximately 2.5~4N 约2.5~4N	
Ambient temperature 环境温度	-30℃~85℃	Compressive strength 耐压强度	Pins and housings 1500VAC 20mA/min 引脚与外壳 1500VAC 20mA/min	Button travel 按键行程	The key stroke is 2.5mm and the contact stroke is 1mm 按键行程2.5mm 接触行程1mm	
Form of work 工作形式	Self-locking 自复式	Glowing color 发光颜色	Red, Green, Yellow, Blue, White (Red-Green-Blue, Red-Green-Yellow, Support Customization) 红、绿、黄、蓝、白(红绿蓝、红绿黄、支持定制)			



PART NAME: 零件名称:	WD12C1-P0 series button switch specification sheet WD12C1-P0系列按钮开关规格书	MATERIAL: 材料:	/	DRAWN: 绘图:	彭翔翔 日期 2024.02.29	WEIGHT(g): 重量:	10
PART No.:	WD12C1-P0-E-GGS01	SCALE: 比例:	2:1	CHECK: 审核:	彭翔翔 日期 2024.02.29	UNIT: 单位:	mm
浙江万度电气有限公司 Zhejiang Wandu Electric Co., Ltd		SHEET: 页数:	3 OF 1 第 1 页 共 3 页	APPROVAL: 批准:	彭翔翔 日期 2024.02.29	SIZE: 图幅:	A4
		PART No.:	/	VERSION: 版本:	V0.0	PROJECTION: 投影:	



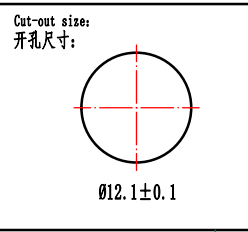
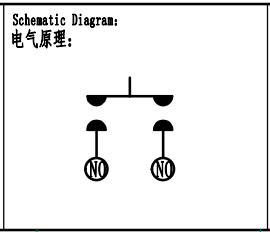
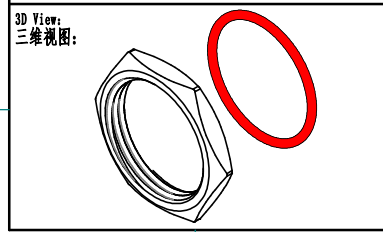
客户可根据实际需求定制线材颜色  
Customers can customize wire colors according to their actual needs.



Plug-in terminals can be customized at the end of the harness  
线束末端可定制接插端子

PIN Pin Definition Description  
PIN脚定义解析

C	Switching signal input/LED power input on the common side 开关信号输入/LED电源输入公共端
K	Switching signal output 开关信号输出
R	Red LED signal input 红色LED信号输入
G	Green LED signal input 绿色LED信号输入
B	Blue LED signal input 蓝色LED信号输入



PART NAME: WD12C1-P0 series button switch specification sheet  
零件名称: WD12C1-P0系列按钮开关规格书

PART No.: WD12C1-P0-E-GGS01  
零件编号:

浙江万度电气有限公司  
Switch on worry-free Zhejiang Wandu Electric Co., Ltd

MATERIAL: /  
材料: /

SCALE: 2:1  
比例:

SHEET: 3 OF 2  
页数: 第 2 页 共 3 页

PART No.: 弘光定制款式  
料号:

DRAWN: 彭翔翔 日期 2024.03.14  
绘图: 重量: 10

CHECK: 彭翔翔 日期 2024.03.14  
审核: 单位: mm

APPROVAL: 彭翔翔 日期 2024.03.14  
批准: 尺寸: A4  
图幅:

VERISON: V0.0  
版本: 投影: