

WANDU 万度®

12A Series Metal Button Switch

12A Series Metal Button Switch

12A



SMALL SIZE SMALL

Have super metal texture, high-grade appearance design, and increased ability to resist welding deformation. Small and exquisite, Saving more space, Miniaturized appearance, One-handed control

HIGH-QUALITY CONNECTOR MAKES CONNECTION MORE CONVENIENT

0.5 mm² international copper wire
Select the connector matching the button according to the requirements
The default wire length of the connector is 15cm, and the wire length can be customized.



PROTECTION AND SAFETY NEW BREAKTHROUGH

All-round upgrade in waterproof grade, Resistance to high-intensity work
Optimized material, Stable performance,
Easy to deal with all kinds of working environments
Corrosion resistance, High temperature resistance, High flame retardancy,
Long service life, Waterproof grade up to IP65



BUTTON END SURFACE

The button surface can be customized with patterns or texts according to requirements.
It is novel and nice-looking, and replaces the function of indicating signs



Comfortable Operation Feeling

WD12A SERIES METAL BUTTON SWITCH

12MM
INITIAL HOLE
DIAMETER

1NO
1 NORMAL
LY OPEN

20W TIME
MECHANICAL
LIFE



Support a maximum current of 3A/250VAC,
The diameter of the button at the operation position is increased,
which provides advanced self-locking performance
and comfortable operation feeling.

HIGH TEMPERATURE RESISTANCE HIGH FLAME RETARDANCY

WORKING ENVIRONMENT: -30°C~+80°C



PA66
ENHANCED HIGH
FLAME RETARDANCY

HIGH QUALITY LED LAMP BEADS

COLORFUL LAMP RINGS, SOFT AND HIGHLIGHTED LIGHT
VOLTAGE CAN BE SELECTED AT WILL,
AND MULTIPLE LUMINOUS COLORS CAN BE CUSTOMIZED.



EXQUISITE WORKMANSHIP ADVANCED TECHNOLOGY

CHOOSE HIGH-QUALITY MATERIALS, CREATE BY HEART
ENSURE EVERY DETAIL, ONLY FOR HIGH QUALITY...



Metal case: Nickel Brass material/304 Stainless steel
Wear resistance, Pressure resistance, Anti-rust, Corrosion resistance,
Not easy to change color

FINE WORKMANSHIP GREAT MATERIAL

Concentrate on the products, Good quality can stand the test

COPPER SILVER PLATING PIN
INCREASE SILVER CONTACT



PRECISION NC MACHINING
304 STAINLESS STEEL CASE



304 STAINLESS STEEL BUTTON
INCREASE THE APERTURE OF
THE BUTTON

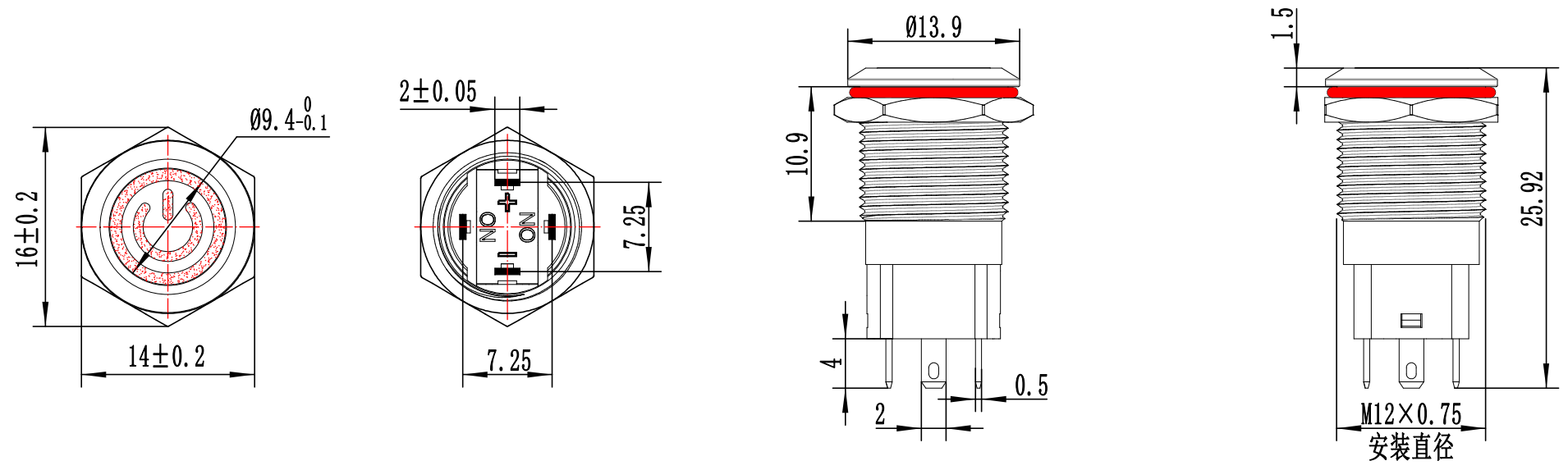


ENVIRONMENT-FRIENDLY
SILICONE SEAL
PREMIUM RETAINING NUT

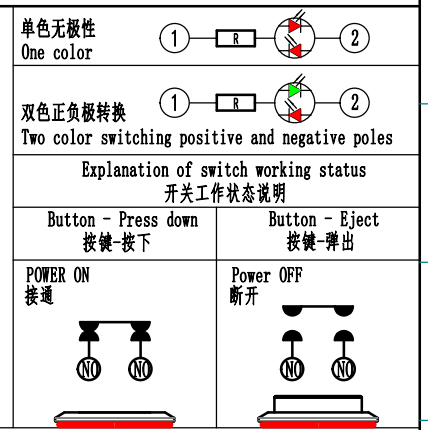




未经万度电气书面允许，严禁打印和复印

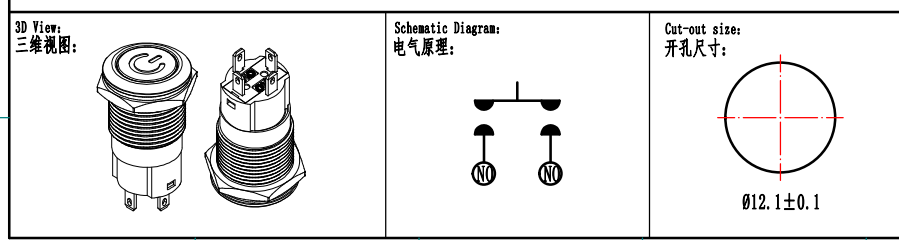


Mounting hole diameter 安装孔直径	12~12.2mm	Switch combinations 开关组合	1NO (一常开)	Housing material 外壳材质	SUS304/Brass nickel-plated/aluminum alloy anodized SUS304/黄铜镀镍/铝合金阳极氧化	
Switching voltage 开关电压	1.5V~250VAC/DC	Lamp bead voltage 灯珠电压	AC/DC: 3.3V、6V、9V、12V、24V、36V、48V、110V、220V	Key Material 按键材质	PC&SUS316 聚碳&不锈钢SUS316	
Current rating: 额定电流:	Resistive loads 阻性负载	DC-13:12V/24V 1.5A AC-15:110V/250V 3A	Lamp bead current 灯珠电流	2mA~20mA	Contact material 触点材质	Silver tin oxide alloy contacts 锡氧化锡合金触点
	Inductive loads 感性负载	AC-15:110V/250V 0.5A DC-13:110V 0.5A	PIN pin style PIN脚样式	2mm Solder pins 2mm 焊接引脚	Electrical life 电气寿命	DC-13:12V/24V 1.5A >100,000 times AC-15:110V/220V 3A >10万次
Rated heating current 额定发热电流	ith: 3A/250VAC	Base material 基座材质	Modified nylon PA66 改性尼龙PA66	Contact resistance 接触阻值	Contact resistance ≤50mΩ	
Waterproof rating 防水等级	IP65 at the end of the button Customizable IP67 按键端IP65 可定制IP67	Dielectric strength 绝缘强度	≥100MΩ 500VDC /h	Press down on pressure 按键下压力	Approximately 2.5~4N 约2.5~4N	
Ambient temperature 环境温度	-30℃~85℃	Compressive strength 耐压强度	Pins and housings 1500VAC 20mA/min 引脚与外壳 1500VAC 20mA/min	Button travel 按键行程	The key stroke is 2.5mm and the contact stroke is 1mm 按键行程2.5mm 接触行程1mm	
Form of work 工作形式	Self-locking/self-resetting (optional) 自锁式/自复式(可选)	Glowing color 发光颜色	Red, green, yellow, blue, white 红、绿、黄、蓝、白			



平头按键-代号: P Flat head button - Code: P 高头按键-代号: G High-head button - Code: G 球头按键-代号: Q Ball button - Code: Q 蘑菇头按键-代号: M Mushroom head button - code: M

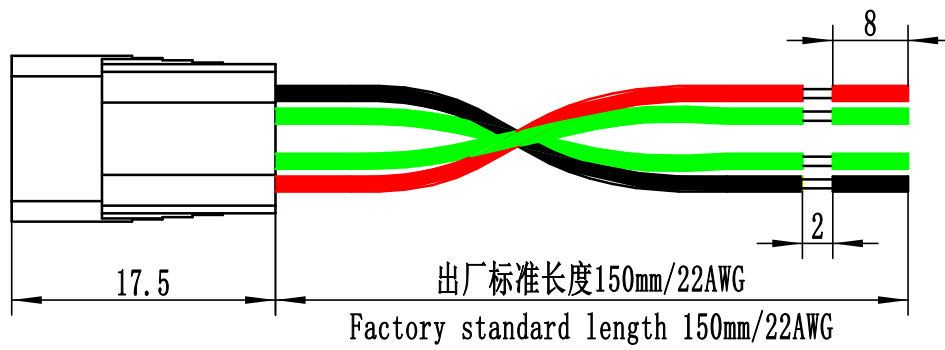
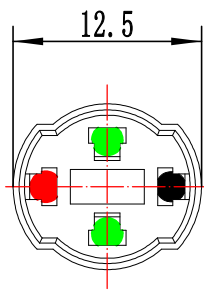
环标&电源标-代号: EC Ring & Power Label - Codename: EC 环标-代号: E Ring - Codename: E 电源标-代号: C Power Label - Codename: C 定制字符-代号: T Custom character - Codename: T 圆点发光-代号-D Dots glow - codename - D 整圆发光-代号-O Overall luminescence: O



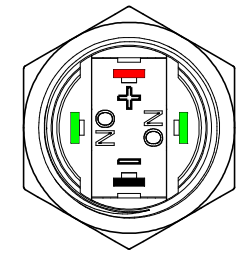
PART NAME: 零件名称:	WD12A series button switch specification sheet WD12A系列按钮开关规格书	MATERIAL: 材料:	/ /	DRAWN: 绘图:	彭翔翔 日期 2024.03.10	WEIGHT(g): 重量:	10
PART No.:	WD12A-P1-GGS01	SCALE: 比例:	2:1	CHECK: 审核:	彭翔翔 日期 2024.03.10	UNIT: 单位:	mm
浙江万度电气有限公司 Zhejiang Wandu Electric Co., Ltd		SHEET: 页数:	3 OF 1 第 1 页 共 3 页	APPROVAL: 批准:	彭翔翔 日期 2024.03.10	SIZE: 图幅:	A4
		PART No.:	/	VERSION: 版本:	V0.0	PROJECTION: 投影:	



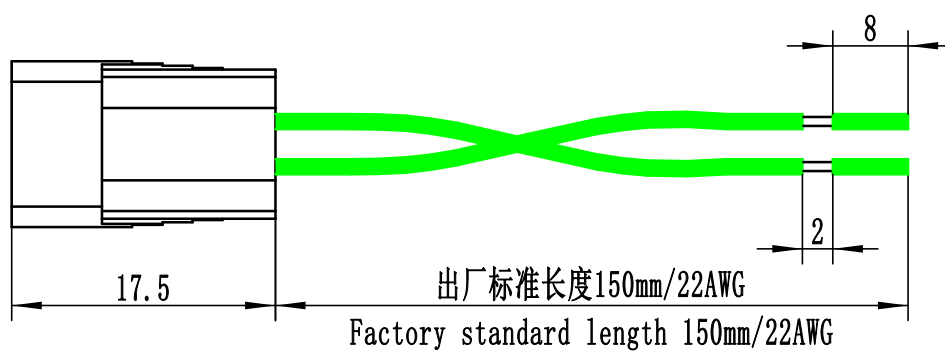
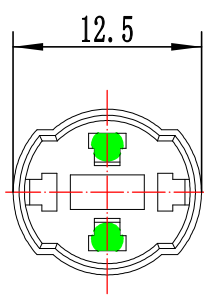
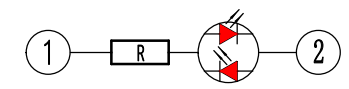
未经万度电气书面允许，严禁打印和复印



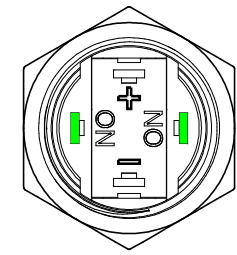
PIN pin comparison diagram
PIN脚对照图



单色无极性
One color



PIN pin comparison diagram
PIN脚对照图



无灯
No lamp



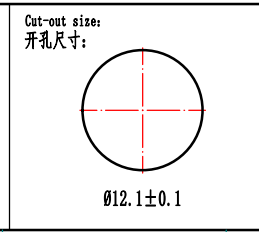
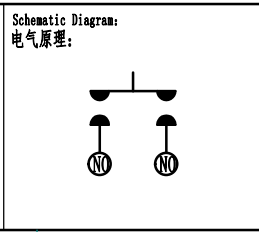
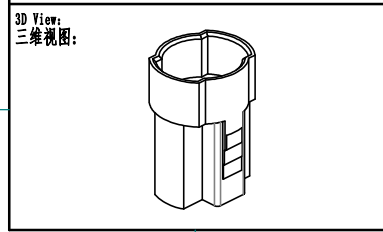
接线时请参考规格书，带电作业请做好绝缘防护！
Please refer to the specifications when wiring, and do insulation protection when working with electricity!

多种发光颜色可选
Multiple luminous colors available



客户可根据实际需求在线束末端定制连接端子
Customers can customize connection terminals at the end of the wire harness according to their actual needs.

客户可根据实际需求定制线材颜色
Customers can customize wire colors according to their actual needs.



PART NAME: WD12A series button switch specification sheet
零件名称: WD12A系列按钮开关规格书
PART No.: WD12A-P1-GGS01
零件编号:
WDLEE 浙江万度电气有限公司
Switch on worry-free Zhejiang Wandu Electric Co., Ltd

MATERIAL: /
材料:
SCALE: 2:1
比例:
SHEET: 3 OF 2
页数: 第 2 页 共 3 页
PART No.: /
料号:

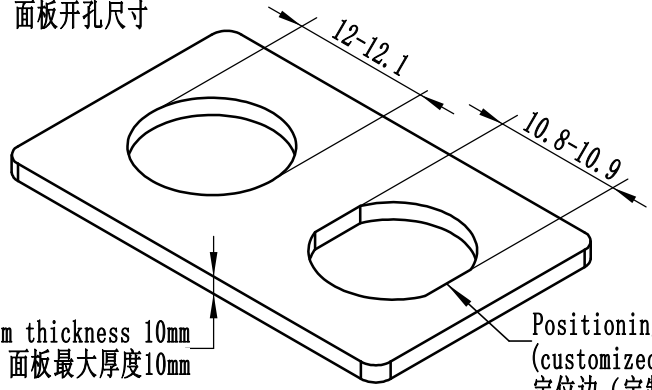
DRAWN: 彭翔翔 日期 2024.03.10
绘图:
CHECK: 彭翔翔 日期 2024.03.10
审核:
APPROVAL: 彭翔翔 日期 2024.03.10
批准:
VERISON: V0.0
版本:

WEIGHT(g): 10
重量:
UNIT: mm
单位:
SIZE: A4
图幅:
PROJECTION: 投影:



未经万度电气书面允许，严禁打印和复印

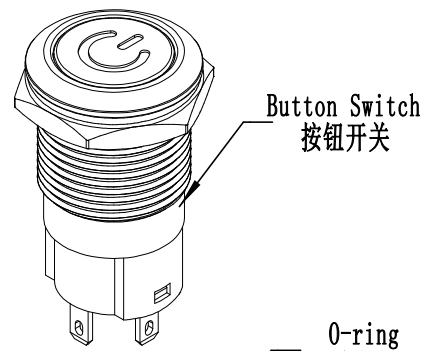
Panel opening size
面板开孔尺寸



Maximum thickness 10mm
面板最大厚度10mm

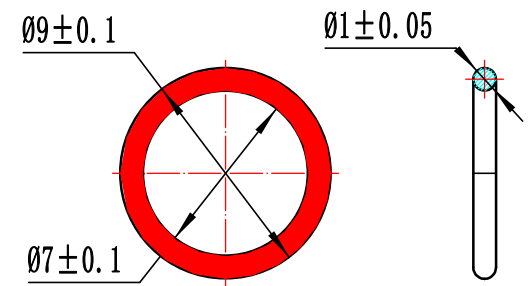
Positioning edge
(customized)
定位边 (定制)

Installation method diagram
安装方法示意图

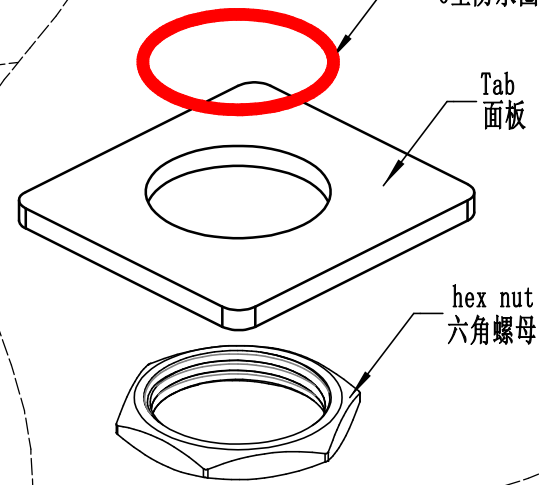


Button Switch
按钮开关

Attachment: O-shaped silicone waterproof ring
附件: O型硅胶防水圈



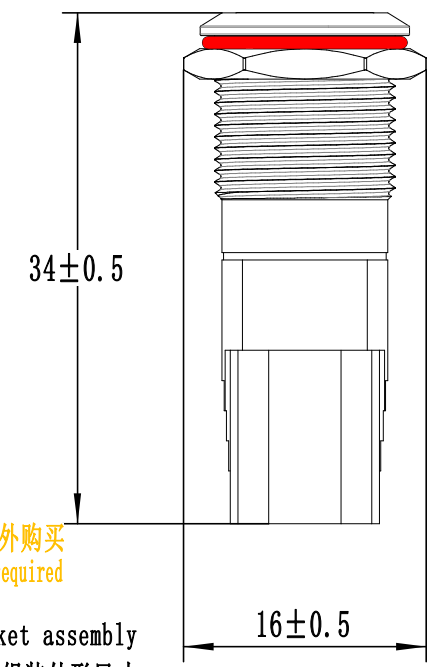
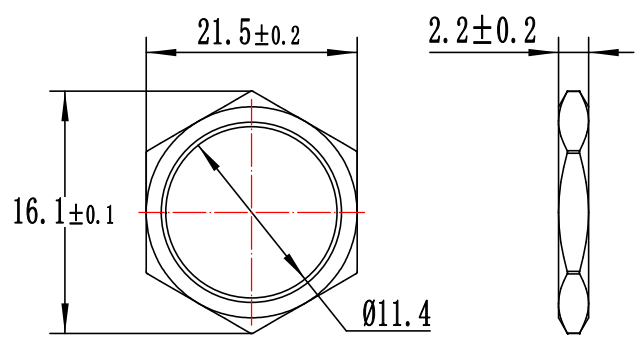
O-ring
O型防水圈



Tab
面板

hex nut
六角螺母

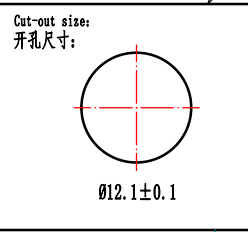
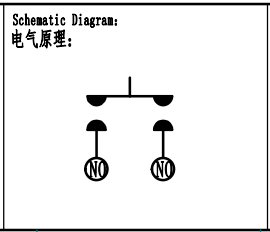
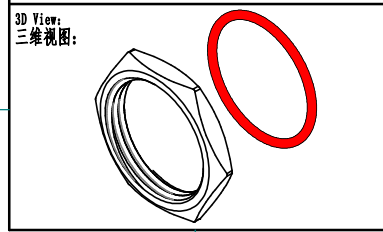
Attachment: Hexagonal Nut
附件: 六角螺母



插座配件需额外购买

Additional purchase of socket accessories is required

External dimensions of switch and socket assembly
开关与插座组装外形尺寸



PART NAME: 零件名称:	WD12A series button switch specification sheet WD12A系列按钮开关规格书
PART No.: 零件编号:	WD12A-P1-GGS01
 浙江万度电气有限公司 Zhejiang Wandu Electric Co., Ltd	

MATERIAL: 材料:	/
SCALE: 比例:	2:1
SHEET: 页数:	3 OF 3 第 3 页 共 3 页
PART No.: 料号:	/

DRAWN: 绘图:	彭翔翔 日期 2024.03.10
CHECK: 审核:	彭翔翔 日期 2024.03.10
APPROVAL: 批准:	彭翔翔 日期 2024.03.10
VERISON: 版本:	V0.0

WEIGHT(g): 重量:	10
UNIT: 单位:	mm
SIZE: 图幅:	A4
PROJECTION: 投影:	