

WDX/Y Metal Knob/Key Switch

WDX/Y METAL KNOB/KEY SWITCH



Metal push button

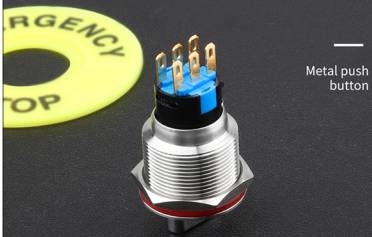


Our six advantages

- Complete style
- Increase the contact
- LED lamp beads
- Efficient waterproof
- Long lifespan
- Quality service

Gold plated pins

Stable electrical conductivity



Metal push button

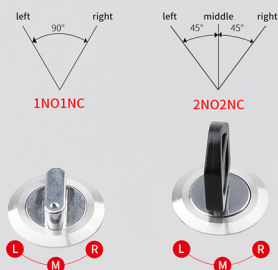
Complete specifications Size is optional

CAN BE SELECTED AS REQUIRED SUITABLE SIZE



22mm 19mm 16mm

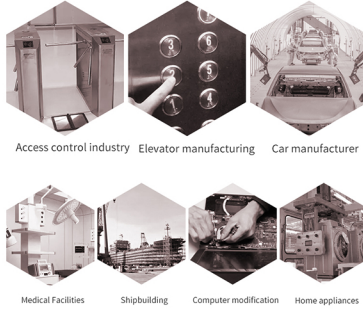
TWO OR THREE GEARS OPTIONALA



SWITCH PIN ANALYSIS



PRODUCTS ARE WIDELY USED



CAN BE USED WITH SPECIAL CONNECTORS

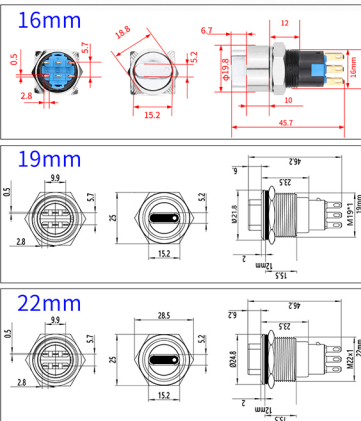


Connectors need to be purchased separately
The default line length is 150mm (customizable line length)

Product parameters and dimensions

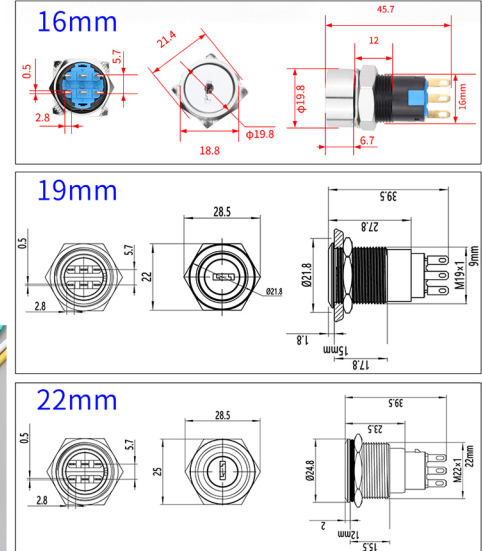
Switching voltage	1.5V~250V/AC/DC
Switch gear	2nd/3rd gear
Forms of work	self-locking
Switch combination	1NO1NC/2NO2NC
Compressive strength	1900AVmin
Switch current	3A
Working environment	-30°C~+80°C
Waterproof level	IP65
Contact resistance	≤50MΩ
Opening diameter	16/19/22mm

WDX knob



Switching voltage	1.5V~250V/AC/DC
Switch gear	2nd/3rd gear
Forms of work	self-locking
Switch combination	1NO1NC/2NO2NC
Compressive strength	1900AVmin
Switch current	3A
Working environment	-30°C~+80°C
Waterproof level	IP65
Contact resistance	≤50MΩ
Opening diameter	16/19/22mm

WDX key button



Company strength display



Authoritative certification and quality assurance

