



## NU6-II G

### Surge Arrester

#### 1. General

- 1.1 Certificates: international certificates are under proceeding;
- 1.2 Number of pole: 1, 2, 3, 4, 1P+N, 3P+N;
- 1.3 Electric ratings: 230/400V, AC50/60Hz;
- 1.4 Application: Protect electric system and on-loading electrical apparatus from lightning and instantaneous over-voltage;
- 1.5 Standard: IEC/EN 61643-11



#### 2. Technical data

Model	Max.continuous Operational Voltage Uc(V)	Level of protection Up(kV)	Maximum discharge current I <sub>max</sub> (8/20μs)(kA)	Nominal discharge current I <sub>n</sub> (8/20μs) (kA)
NU6- II G(/F)	275	1.5	40	20
	320	1.6		
	385	1.8		
	440	2.0		
	255(NPE)	1.5	65	30
	275	1.6		
	320	1.8		
	385	2.0		
	440	2.2	100	50
	255(NPE)	1.8		
	275	2.0		
	320	2.1		
385	2.2			
440	2.4			

Auxiliary	Configurations	Rated voltage Un(V)	Rated current In(A)
Contact	1NO+1NC	AC250	0.5

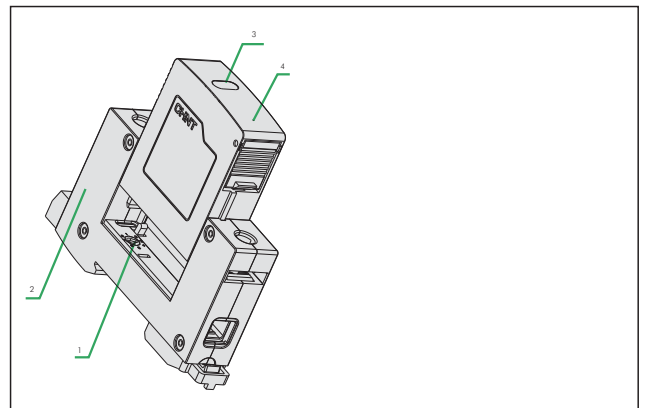
#### 3. How to select surge protectors

- a. The voltage should be  $\leq U_c$ ;
- b.  $U_p <$  maximum impulse withstands;
- c. Different protectors should be selected according to various grounding system and protection mode.

Model	Max. continuous operational voltage $U_c(V \sim)$	Applicable grounding system	Protection mode	Circuits	Number of poles	
NU6-II G(/F)	275	TN-S	L-PE,L-N,N-PE	1 phase,3 phase 5 wire	1,2,4, 1P+N,3P+N	
		TN-C	L-PEN	1 phase,3 phase 4 wire	1,3	
		TT	L-N,N-PE	1 phase,3 phase 4 wire	1P+N,3P+N	
	320	TN-S	L-PE,L-N,N-PE	1 phase,3 phase 5 wire	1 phase,3 phase 5 wire	1,2,4, 1P+N,3P+N
		TN-C	L-PEN	1 phase,3 phase 4 wire	1 phase,3 phase 4 wire	1,3
		TT	L-N,N-PE	1 phase,3 phase 4 wire	1 phase,3 phase 4 wire	1P+N,3P+N
	385	TN-S	L-PE,L-N,N-PE	1 phase,3 phase 5 wire	1 phase,3 phase 5 wire	1,2,4, 1P+N,3P+N
		TN-C	L-PEN	1 phase,3 phase 4 wire	1 phase,3 phase 4 wire	1,3
		TT	L-PE, L-N,N-PE	1 phase,3 phase 4 wire	1 phase,3 phase 4 wire	1,2,4, 1P+N,3P+N
	440	TN-S	L-PE,L-N,N-PE	1 phase,3 phase 5 wire	1 phase,3 phase 5 wire	1,2,4, 1P+N,3P+N
		TN-C	L-PEN	1 phase,3 phase 4 wire	1 phase,3 phase 4 wire	1,3
		TT	L-PE,L-N,N-PE	1 phase,3 phase 4 wire	1 phase,3 phase 4 wire	1,2,4, 1P+N,3P+N
IT		L-PE	1 phase,3 phase 3wire	1 phase,3 phase 3wire	1,3	

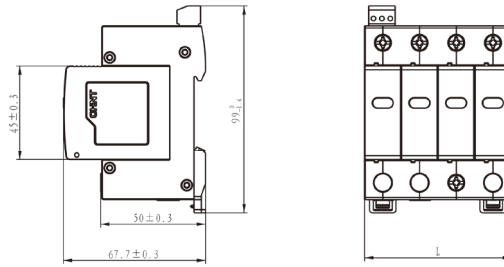
#### 4. Functions

- 4.1 The product is composed of two independent components: removable protective module 4 and base 2;
- 4.2 When the product is damaged, the part 3 will indicate; please replace the removable protective module 4 at once and there is no need to cutoff the circuits;
- 4.3 The part 1 is for maximum continuous operational voltage indication as well as avoiding replacement with wrong module.



5. Overall and mounting dimensions (mm)

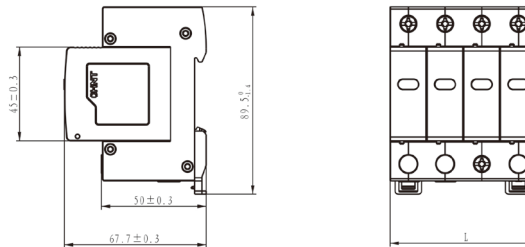
NU6- II G/F (40, 65kA) with remote control port



NU6-II G/F

Poles	1P	1P+N, 2P	3P	3P+N, 4P
L(mm)	18 <sup>0</sup> <sub>-0.6</sub>	36 <sup>0</sup> <sub>-1.2</sub>	54 <sup>0</sup> <sub>-2.4</sub>	72 <sup>0</sup> <sub>-2.4</sub>

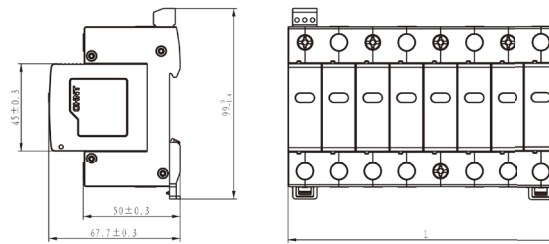
NU6- II G (40, 65kA) without remote control port



NU6-II G

Poles	1P	1P+N 2P	3P	3P+N 4P
L(mm)	18 <sup>0</sup> <sub>-1.2</sub>	36 <sup>0</sup> <sub>-1.2</sub>	54 <sup>0</sup> <sub>-1.2</sub>	72 <sup>0</sup> <sub>-1.2</sub>

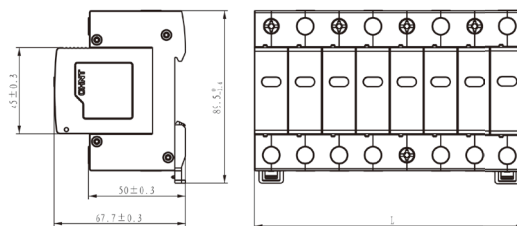
NU6- II G/F (100kA) with remote control port



NU6-II G/F

Poles	1P	1P+N	2P	3P	3P+N	4P
L(mm)	36 <sup>0</sup> <sub>-1.2</sub>	54 <sup>0</sup> <sub>-2.4</sub>	72 <sup>0</sup> <sub>-2.4</sub>	108 <sup>0</sup> <sub>-3.6</sub>	126 <sup>0</sup> <sub>-3.6</sub>	144 <sup>0</sup> <sub>-4.8</sub>

NU6- II G (100kA) without remote control port



NU6-II G

Poles	1P	1P+N	2P	3P	3P+N	4P
L(mm)	36 <sup>0</sup> <sub>-1.2</sub>	54 <sup>0</sup> <sub>-2.4</sub>	72 <sup>0</sup> <sub>-2.4</sub>	108 <sup>0</sup> <sub>-3.6</sub>	126 <sup>0</sup> <sub>-3.6</sub>	144 <sup>0</sup> <sub>-4.8</sub>