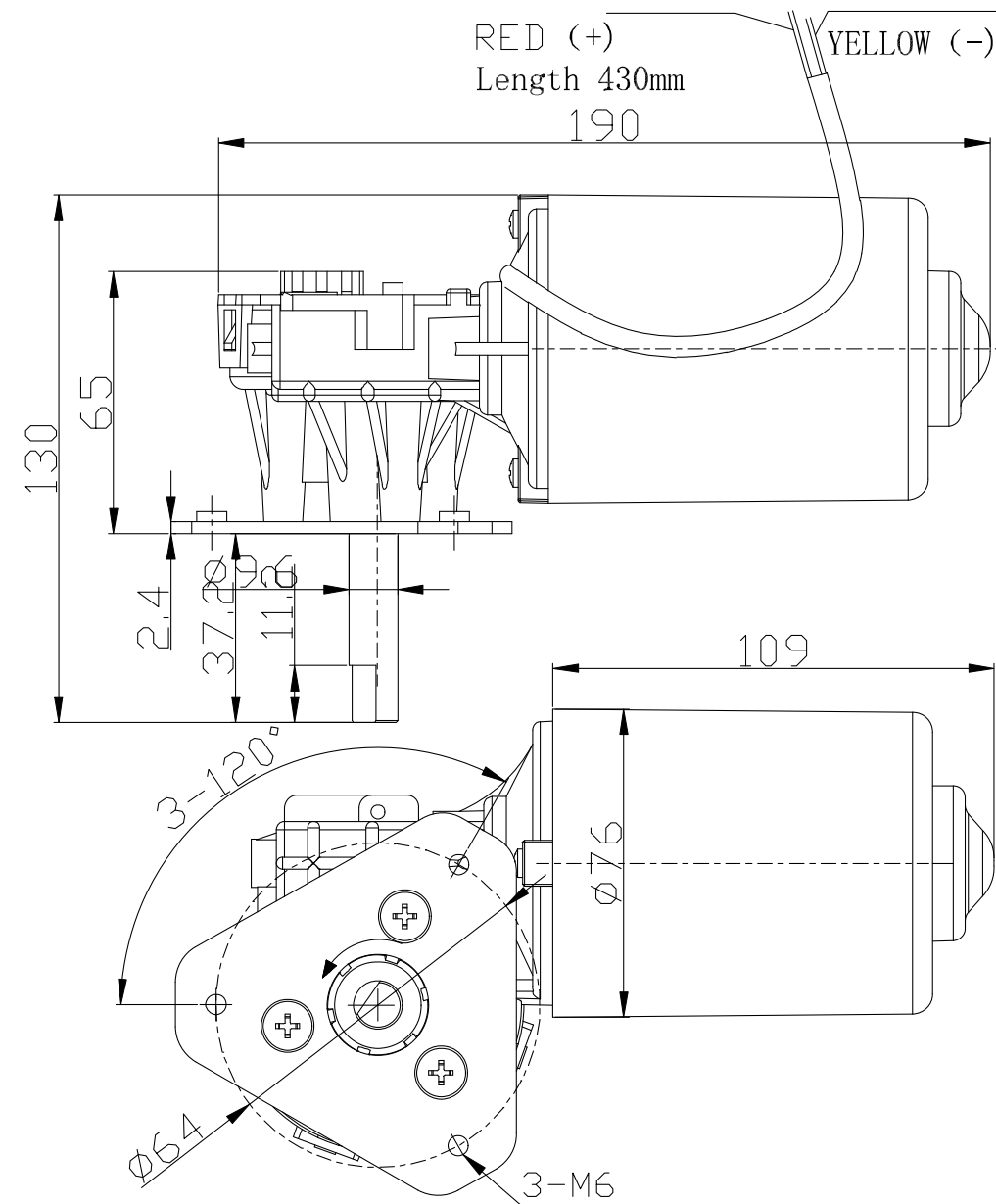
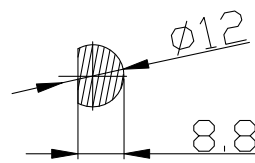
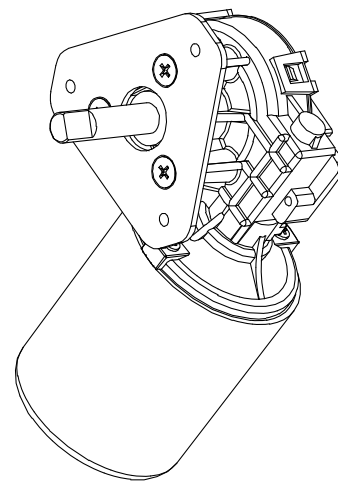


NC230 SPECIFICATIONS

MOTOR TYPE	Permanent magnet motor
Reduction Type	Worm gear
Rated Voltage(V)	12V
Stall torque(N·m)	≥10
Stall current (A)	≤12
Unload Specs	
Speed (r/min)	30±5rpm
Current (A)	≤2A



Technical requirement:

1. Main technical parameters of the motor as above table;
2. The motor rotate Anti-clockwise when the positive electrode of the power supply is connected to the positive electrode of the motor , facing the output shaft;
3. Grease should be applied to the worm wheel, worm rod and related mechanical moving parts during the motor assembly;
4. The connecting part of the screw shall be fastened during the motor assembly and not loose;
5. During the assembly test,keep distance 30cm the noise is less than 50dB, and the feel is smooth.

借 (通) 用
件 登 记

旧版图总号

版 图 总 号

签 字

日 期

档案员

档案员

							CIROLLA MOTOR CO.,LTD		
设计	设计	日期	设计日期	图样标记	重量	比例			
				图样标记 S		1:1			
				共 页数 张	第 页码 张	NC230-12-WX			