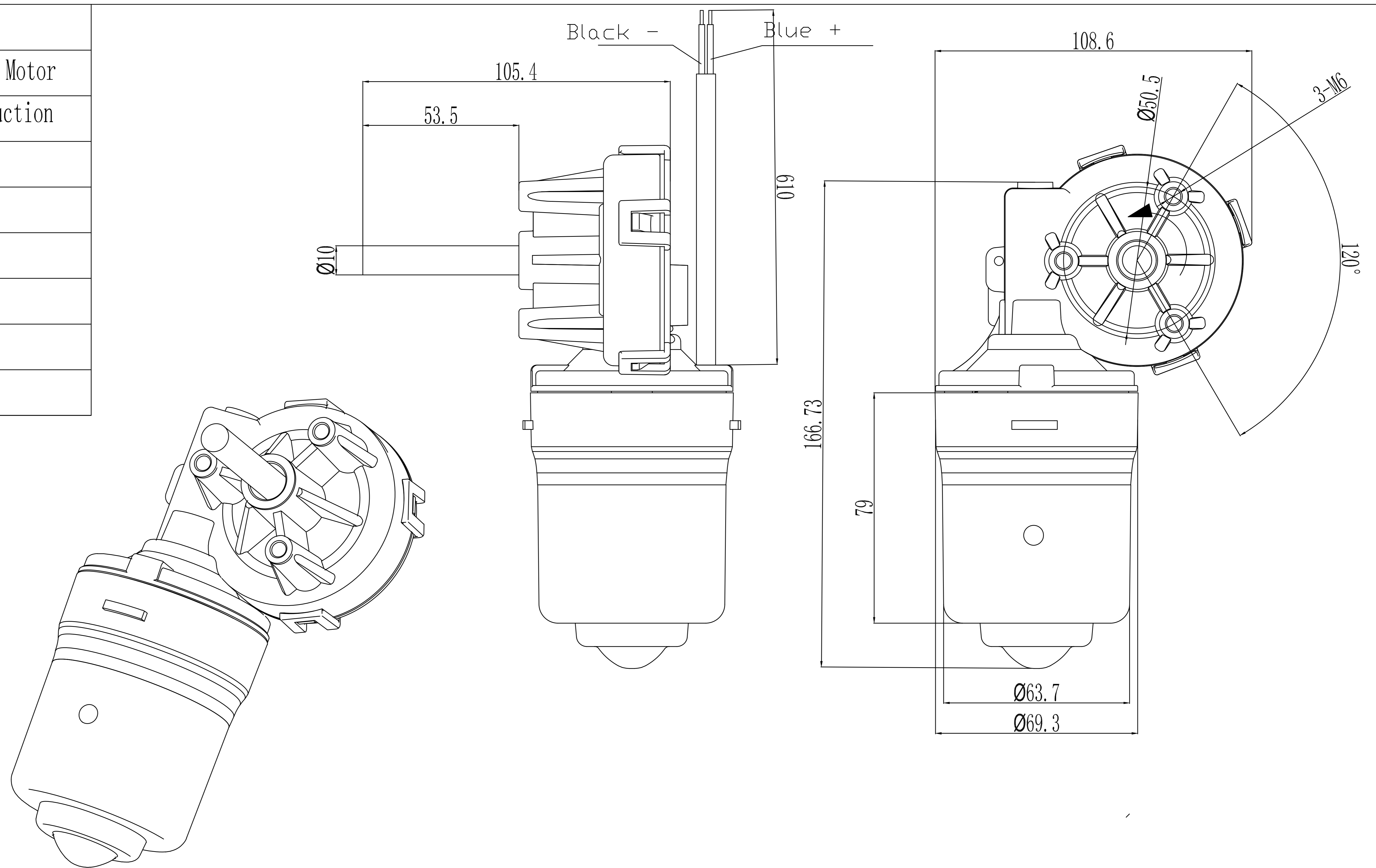


NC228 SPECIFICATION	
MOTOR TYPE	Permanent Magnet Motor
Reduction Type	Worm gear reduction
Rated Voltage(V)	12V
Stall torque(N·m)	≥10
Stall Current (A)	≤13
Unload Specs	
Speed (r/min)	45±5rpm
Current (A)	≤2A



Technical requirement:

1. Main technical parameters of the motor as above table;
2. The motor rotate Anti-clockwise when the positive electrode of the power supply is connected to the positive electrode of the motor , facing the output shaft;
3. Grease should be applied to the worm wheel, worm rod and related mechanical moving parts during the motor assembly;
4. The connecting part of the screw shall be fastened during the motor assembly and not loose;
5. During the assembly test,keep distance 30cm the noise is less than 50dB, and the feel is smooth.

借 (通) 用
件 登 记

旧底图总号

底图总号

签 字

日 期

档案员

档案员

				图 样 标 记			重 量		比 例	
设计	日期	设计日期		图样标记	S				1:1	
				共 页 数 张		第 页 码 张				
C:\Users\Administrator\Desktop\PDF Images\SKD 1000N 100mm(1X)3d993bee2.png										
CIROLLA MOTOR										
NC228-WX										