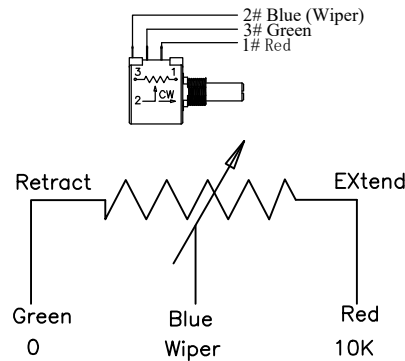


No.	Linear Actuator Parameters	
1	Stroke(mm)	450±3
2	Installation size(mm)	650±3
3	Voltage(v dc)	24
4	Free load speed(mm/s)	13
5	Full load speed(mm/s)	7
6	Dynamic load capacity(n)	10000
7	Cable thickness	twin-core 15awg
8	Cable length (mm)	1000±50
9	Signal Cable thickness	four-core 24awg
10	Cable length (mm)	1000±50
11	Front mounting end	thru hole ϕ 13
12	Rear mounting end	thru hole ϕ 13
13	Wire connector	tinned bare wires
14	Limit switches	Built in, unadjustable
15	Potentiometer	10K Ω
16	Hall sensor	n/a
17	Protection Rate	IP66
18	Free load current (amp)	2
19	Full load current (amp)	15

Power Wiring Diagram		
	Black	Red
Extend	-	+
Retract	+	-



Comfirm by customer						
Signature:				Date:		
A	SAMPLE ISSUE			Jeason	24.05.17	
REV.	DESCRIPTION			BY	DATE	APPD. DATE
UNIT.	MM	SCALE	MATERIAL	NAME		LINEAR ACTUATOR 608
TOL.		SHEET		DRAWING NO.		YMD608-23122002
		1/1				
Wuxi East Yu Xiang science and Technology Co., Ltd.						