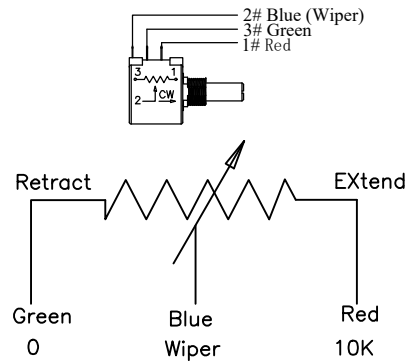


| No. | Linear Actuator Parameters | |
|-----|----------------------------|------------------------|
| 1 | Stroke(mm) | 200±3 |
| 2 | Installation size(mm) | 400±3 |
| 3 | Voltage(v dc) | 24 |
| 4 | Free load speed(mm/s) | 13 |
| 5 | Full load speed(mm/s) | 7 |
| 6 | Dynamic load capacity(n) | 10000 |
| 7 | Cable thickness | twin-core 15awg |
| 8 | Cable length (mm) | 1000±50 |
| 9 | Signal Cable thickness | four-core 24awg |
| 10 | Cable length (mm) | 1000±50 |
| 11 | Front mounting end | thru hole Ø13 |
| 12 | Rear mounting end | thru hole Ø13 |
| 13 | Wire connector | tinned bare wires |
| 14 | Limit switches | Built in, unadjustable |
| 15 | Potentiometer | 10KΩ |
| 16 | Hall sensor | n/a |
| 17 | Protection Rate | IP66 |
| 18 | Free load current (amp) | 2 |
| 19 | Full load current (amp) | 15 |

| Power Wiring Diagram | | |
|----------------------|-------|-----|
| | Black | Red |
| Extend | - | + |
| Retract | + | - |



| Comfirm by customer | | | | | | |
|---|--------------|-------|----------|-------------|----------|---------------------|
| Signature: | | | | Date: | | |
| A | SAMPLE ISSUE | | | Jeason | 24.05.17 | |
| REV. | DESCRIPTION | | | BY | DATE | APPD. DATE |
| UNIT. | MM | SCALE | MATERIAL | NAME | | LINEAR ACTUATOR 608 |
| TOL. | | SHEET | | DRAWING NO. | | YMD608-24051705 |
| | | 1/1 | | | | |
| Wuxi East Yu Xiang science and Technology Co., Ltd. | | | | | | |