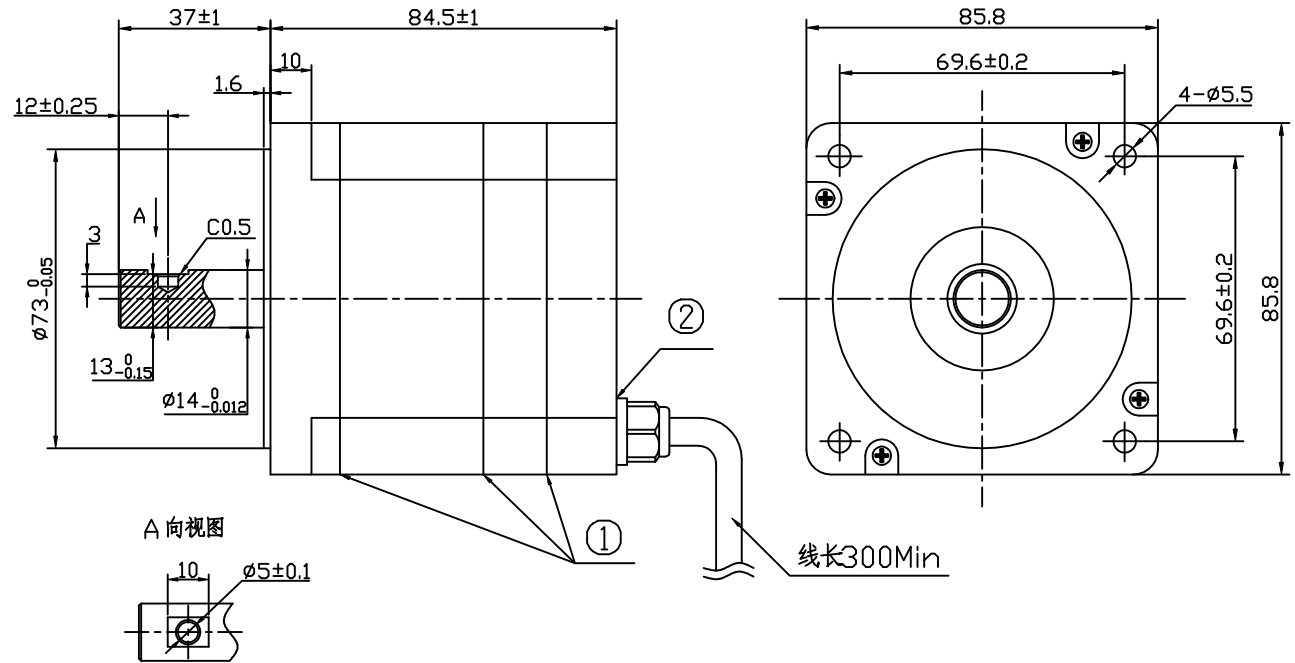
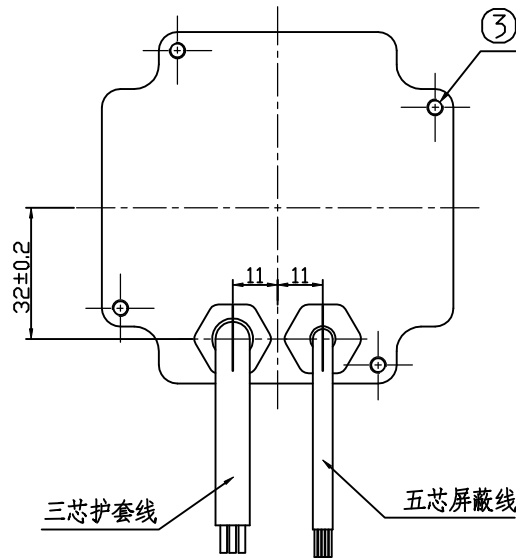
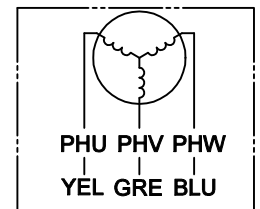
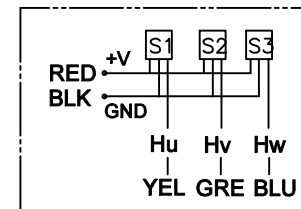


Dimension:
Unit=mm



- 注:
1. 定子铁芯表面黑色光塑;
 2. 后盖出线孔处装防水接头;
 3. 以下几处需点黑色中性硅酮密封胶: ①前盖, 后盖, 后罩; ②防水接头; ③后盖安装螺钉。

Connection diagram:



Hall sensor cable
Note: hall sensor power supply voltage +5 to +20VDC

Wiring cable

ROTATION: CW VIEWED FROM OUTPUT SHAFT

| | |
|---------------------------|----------------|
| MANUFACTUER MODEL | JK86BLS71-X039 |
| NUMBER OF POLES | 8 |
| PHASE TO PHASE RESISTANCE | 0.4 OHMS |
| NOMINAL VOLTAGE | 48 VDC |
| NO LOAD SPEED | 3700±10% RPM |
| NO LOAD CURRENT | 1.5 Amps Max. |
| RATED TORQUE | 0.7 N-m |
| RATED SPEED | 3000±10% RPM |
| OUTPUT POWER | 220 W |
| BACK EMF CONSTANT | 13 V/kRPM |
| TORQUE CONSTANT | 0.124 N-m/A |
| INSULATION CLASS | B |

ELECTRICAL CONNECTION TABLE

| | | | |
|---------|-----|---|-----------------------|
| +5V | RED | 红 | UL2517 5-26# |
| HALL U | YEL | 黄 | |
| HALL V | GRE | 绿 | |
| HALL W | BLU | 蓝 | |
| GND | GND | 黑 | |
| PHASE U | YEL | 黄 | 3*0.75mm ² |
| PHASE V | GRE | 绿 | |
| PHASE W | BLU | 蓝 | |

| | | | | |
|--------|------|----------|-------|------|
| REV. | QTY. | No. | SIG. | DATE |
| DESIGN | ZY | 23.05.09 | STD. | |
| CHECK | | | | |
| PROC. | | | APPR. | |

| | | | | | |
|---------------|--------|-------|--------------------|--|--|
| Title: | | | 常州精控电机电器有限公司 | | |
| Specification | | | JK86BLS71-X039 | | |
| CLS.MAK | WEIGHT | SCALE | www.jkongmotor.com | | |
| PAGE: | | 1/1 | | | |