

Parameter description

G



Metal

power switch button

Parameter Description

Electrical parameters

power level(silvering): 5A@125V AC or 3A@250V AC or 3A@30V DC

Other Ratings

Contact Resistance: The contact is made of silver alloy, and the maximum resistance is 50m Ω;
The maximum value of gold plating of contact material is 30m Ω

Insulation Resistance: 200 megohms minimum @ 500V DC

Dielectric Strength: 1,900V AC minimum between contacts for 1 minute minimum

Mechanical Life: Self reset type / more than 500000 times
Self locking type / more than 250000 times

Electrical Life: 250,000 operations minimum

Nominal Operating Force: Approx.: 1.5N

Contact Type: 1NO

Travel: Pretravel .059"(1.5mm);Overtravel .059"(1.5mm);Total Travel .118"(3.0mm)

Materials & Finishes

Button: Nickel plated brass

shell: Nickel plated brass

Base: Pa66

Movable Contactor: Silver-plated brass

Static contact pin: Silver-plated brass

Active rod: PA66

Compression spring: SUS304

Environmental Data

Operating Temperature Range: -30°C through +85°C

Humidity: 90~95% humidity for 240 hours @ 40°C

Vibration: 10~55Hz with peak-to-peak amplitude of 1.5mm traversing the frequency range & returning in 1 minute; 3 right angled directions for 2 hours

Sealing: Ip66

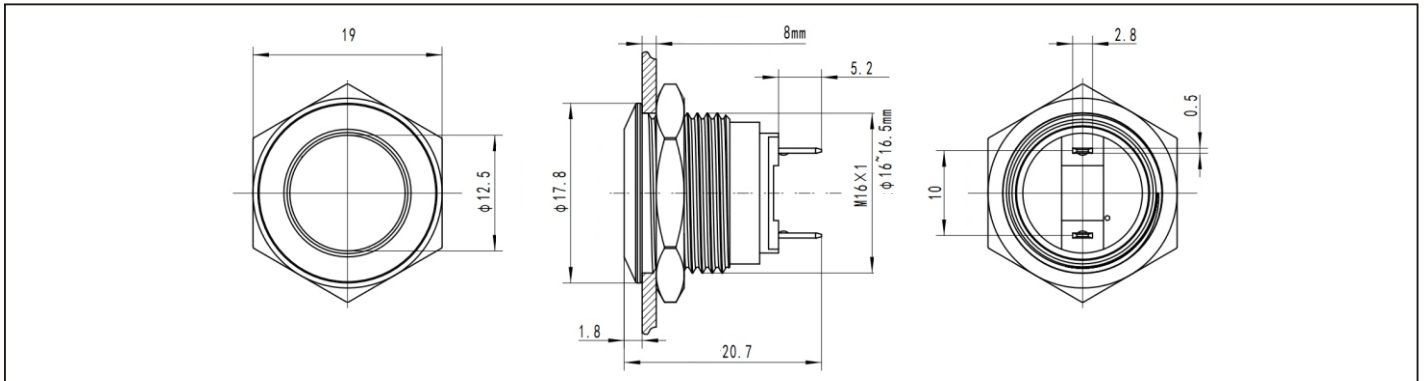
Installation

Installation aperture: 16/19/22mm

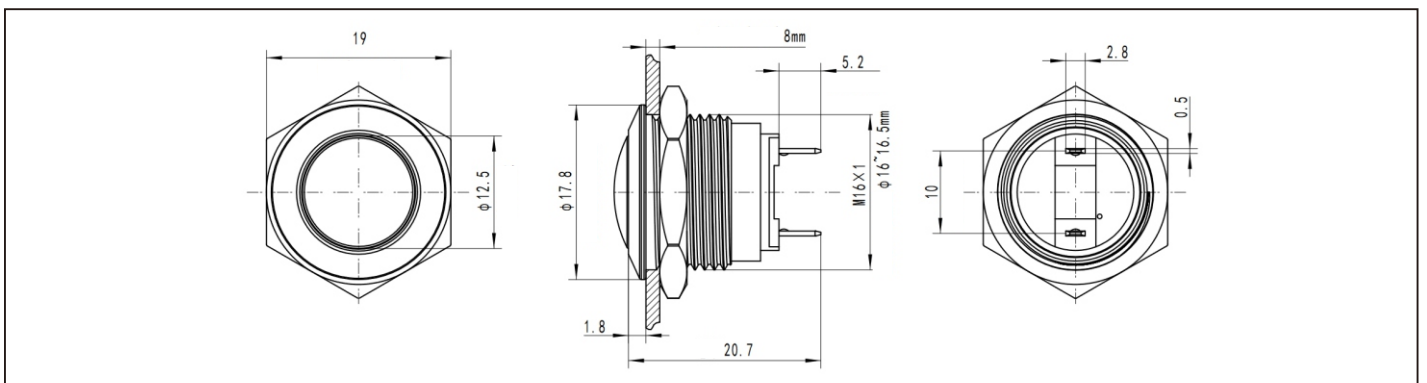
Soldering Time & Temperature: The welding time is 3 seconds and the welding temperature is not higher than 280 °C

Size and material application

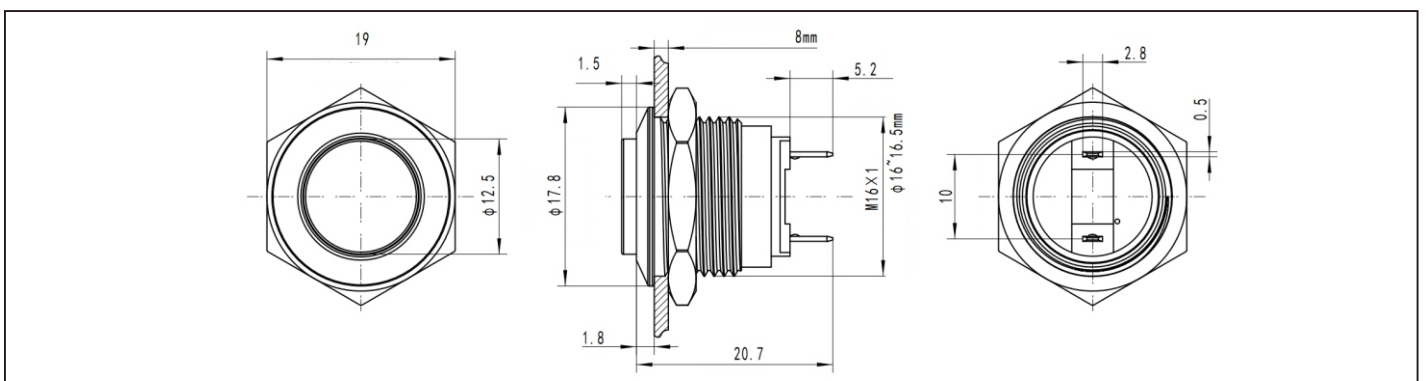
16G-P1



16G-Q1

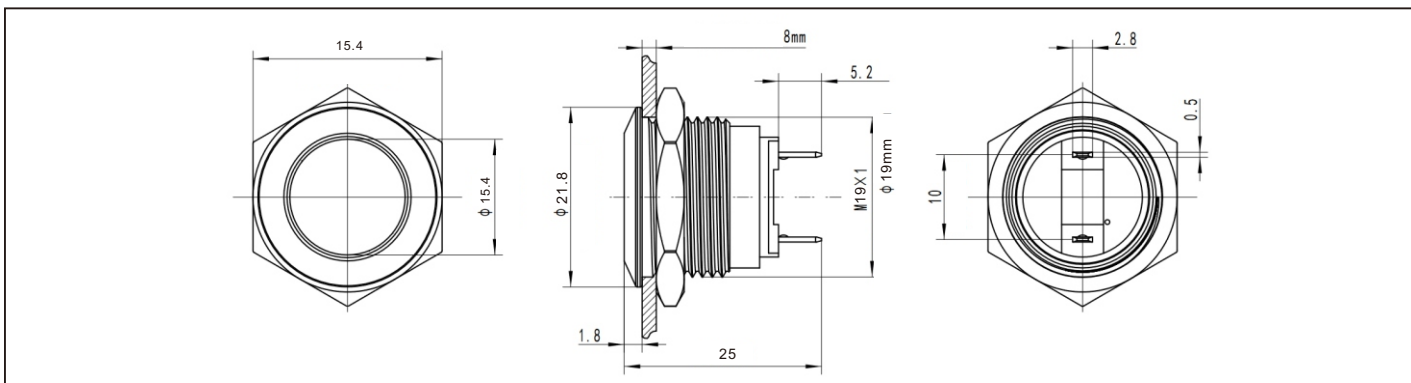


16G-G1

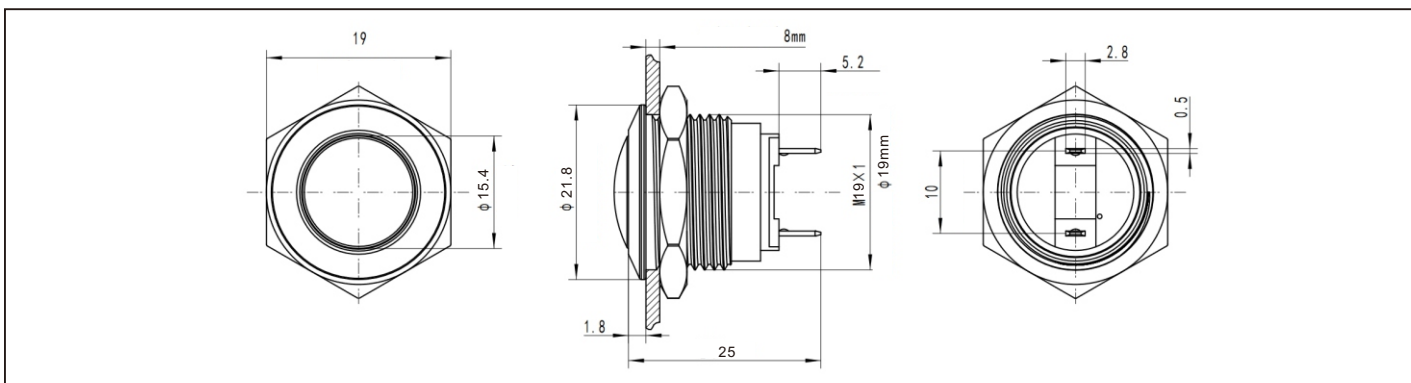


Size and material application

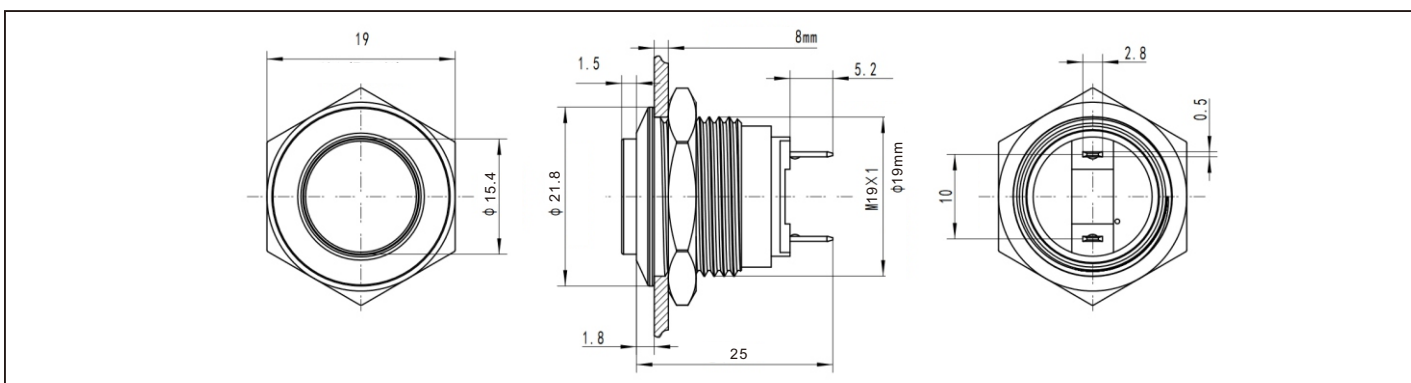
19G-P1



19G-Q1

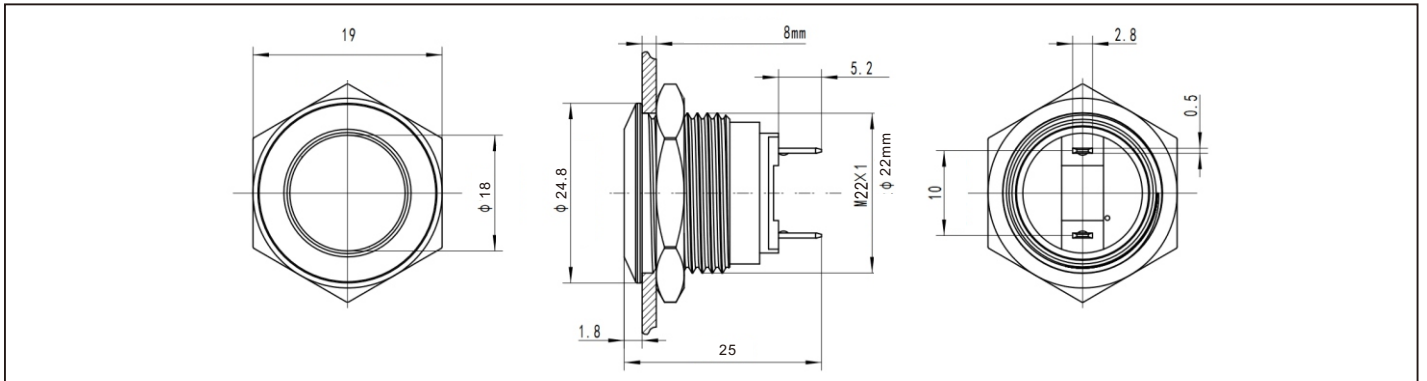


19G-G1

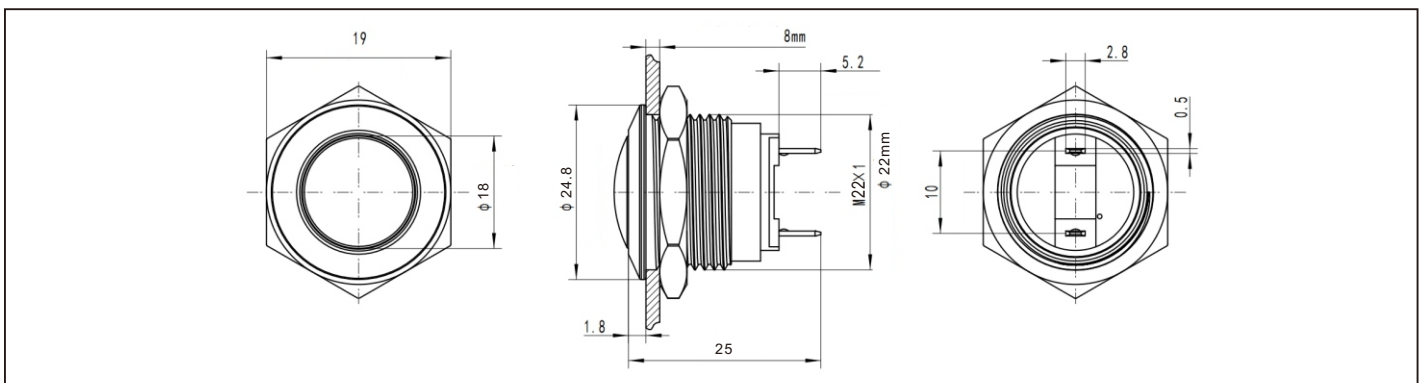


Size and material application

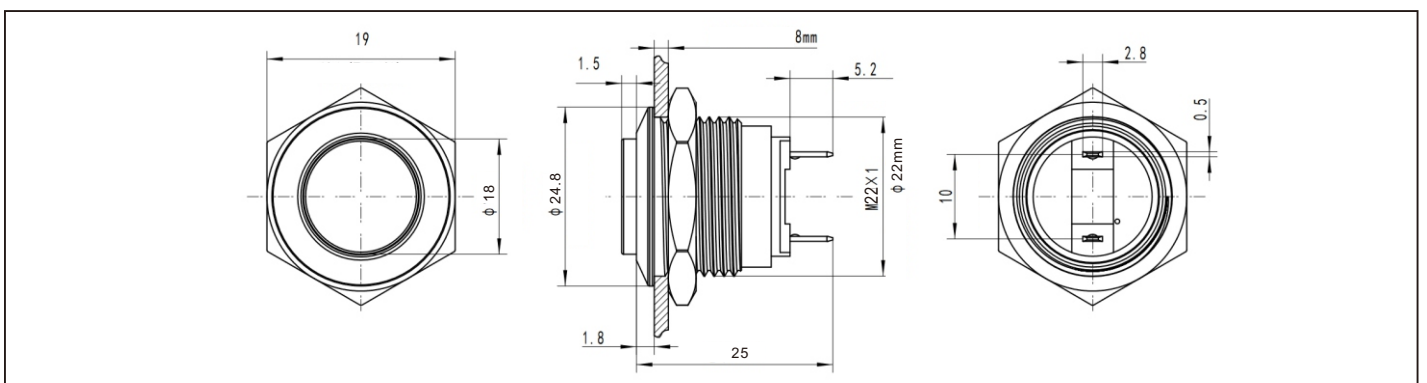
22G-P1



22G-Q1

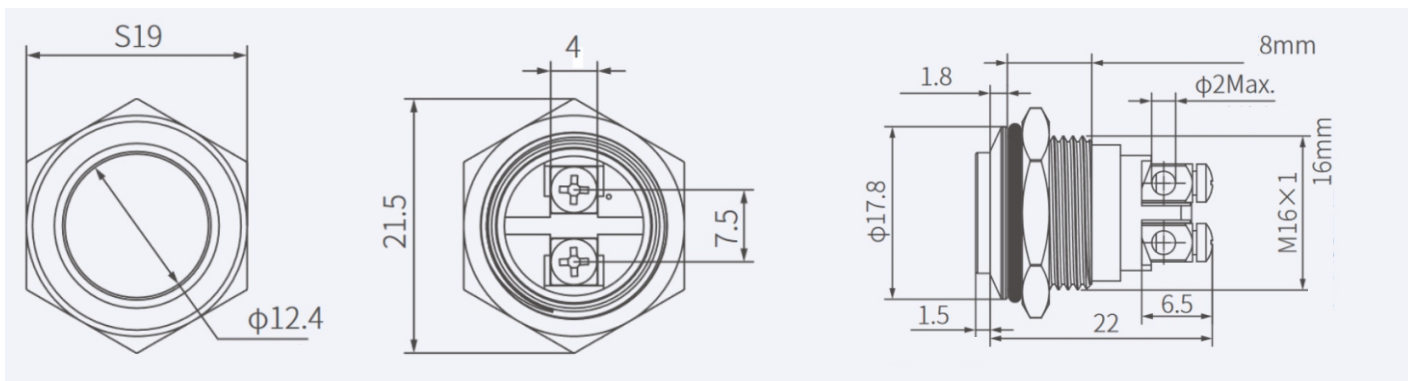


22G-G1

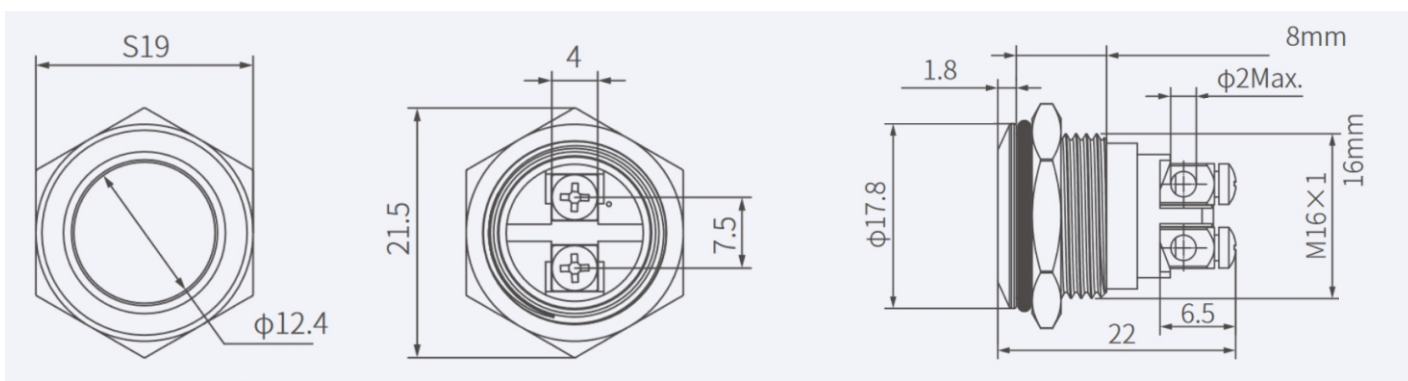


Size and material application

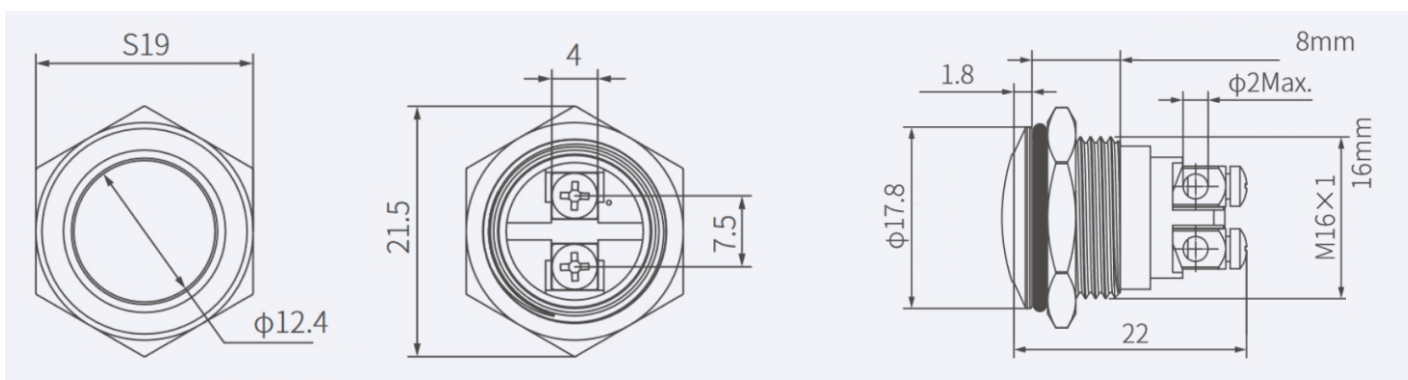
16G-G0



16G-P0

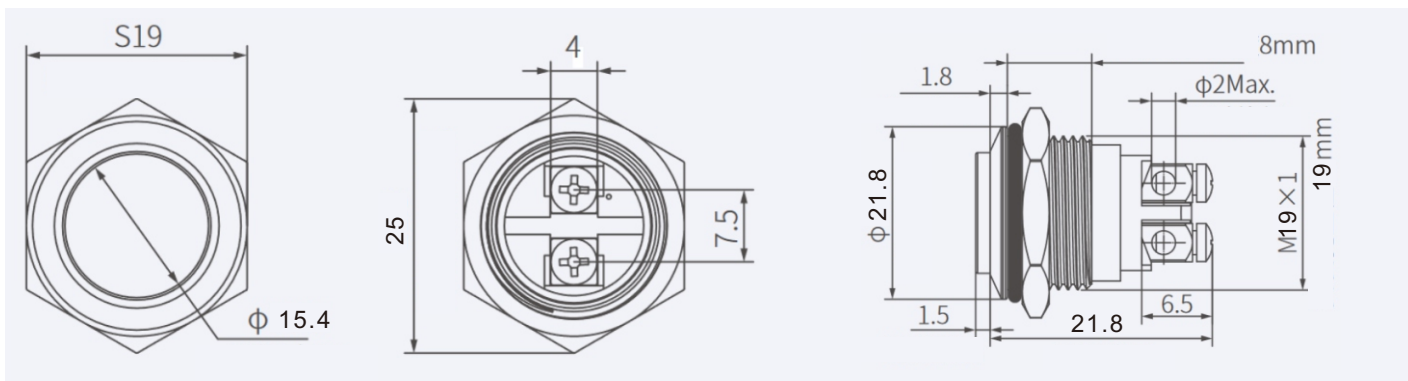


16G-Q0

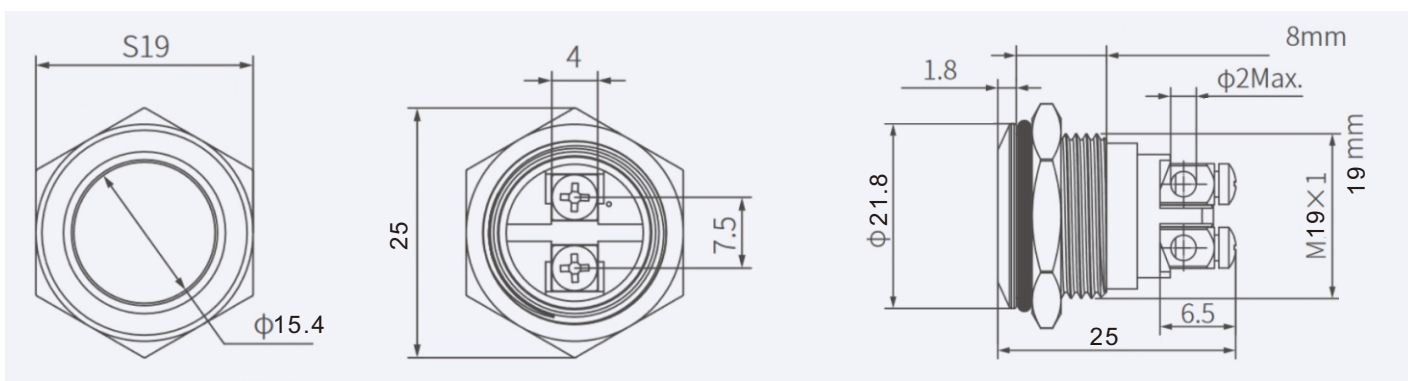


Size and material application

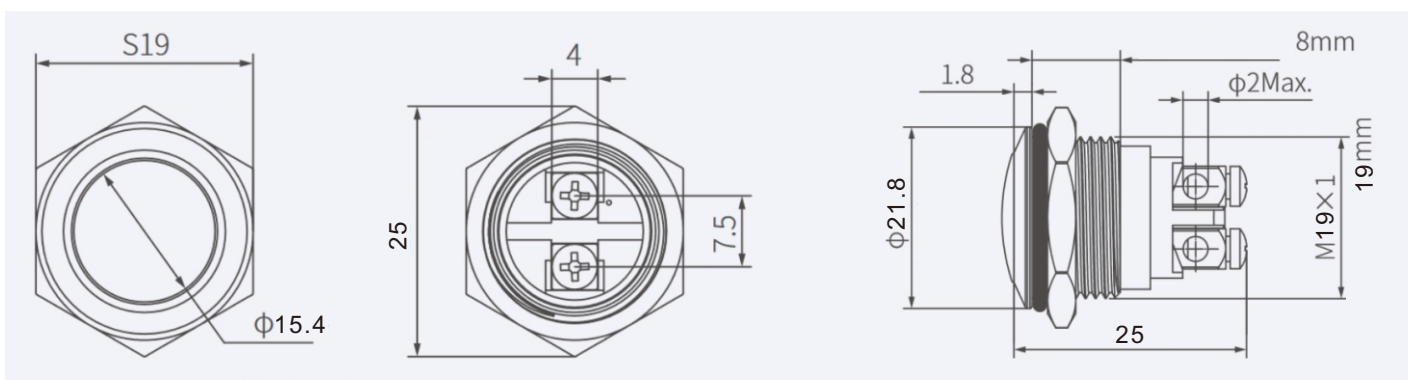
19G-G0



19G-P0

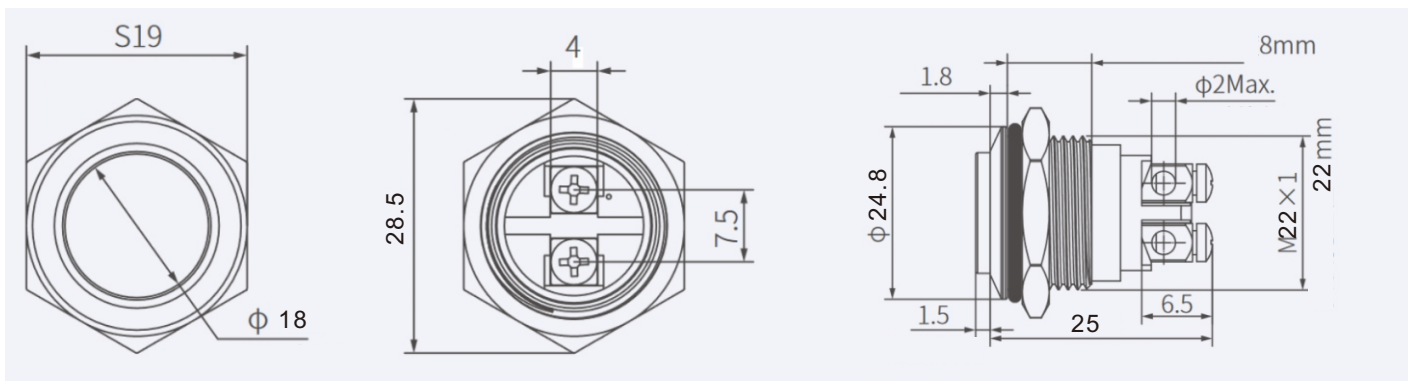


19G-Q0

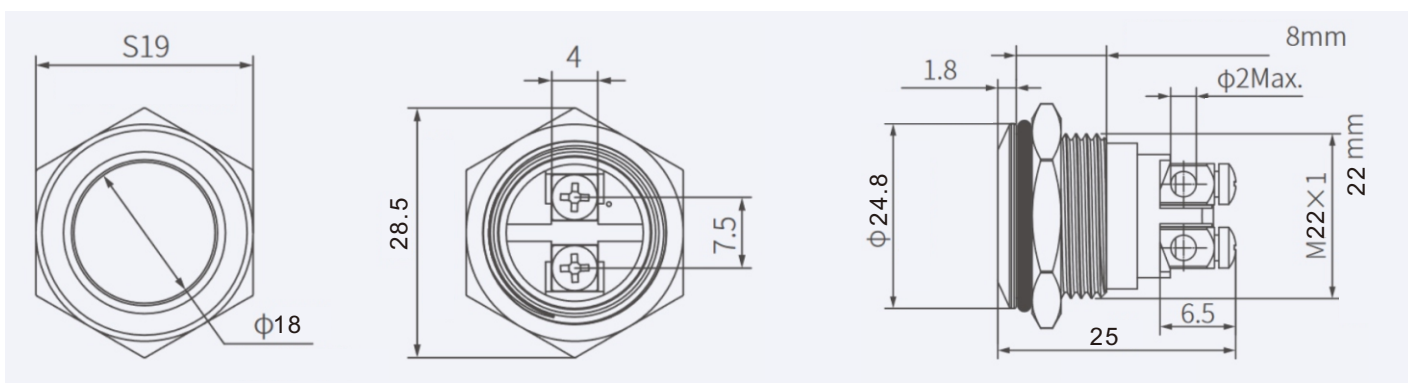


Size and material application

22G-G0



22G-P0



22G-Q0

