

High current waterproof Metal button switch

Model: WD-22Eseries



10A IP67

High-power Not afraid of water



Widening Silver foot

Better conductivity and longer lifespan



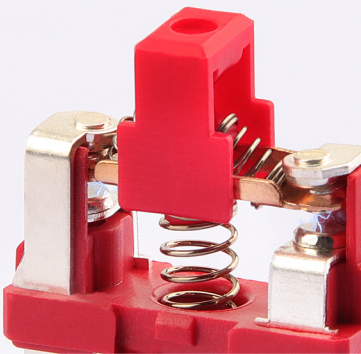
Recognize Wandu LOGO
Avoiding counterfeit and inferior products



Engraved 'NO' character on feet
More recognizable

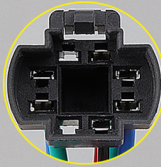
Increase and thicken Silver contacts

Not easily oxidized, resistant to high Temperature and corrosion

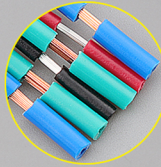


Can be paired with Dedicated connectors Make wiring easier

Eliminating tedious welding process
Make wiring safe and simple



Internal display



Tail display

Efficient waterproof up to IP67

After rigorous testing, the waterproof performance is strong



Multiple heads and high/flat heads

We have everything you want

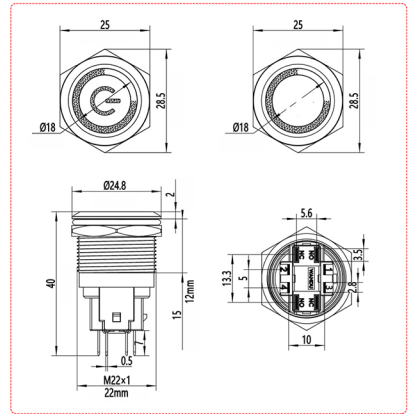
Flat head style

High head style



Product parameters and dimensions

Switching Voltage	1.5V-250V/AC/DC
Working form	Self resetting/self locking
Switch combination	1NO1NC
Mechanical life	Self locking 25W times, self resetting 50W times
Compressive strength	1900VACmin
Switching Current	15A
Work environment	-30°C~+80°C
Waterproof grade	IP67
Contact resistance	≤50MΩ
Opening diameter	22MM

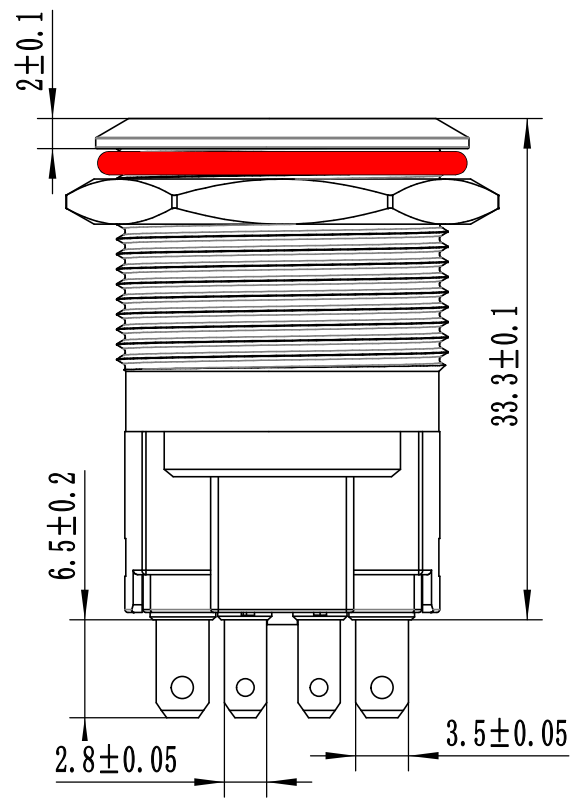
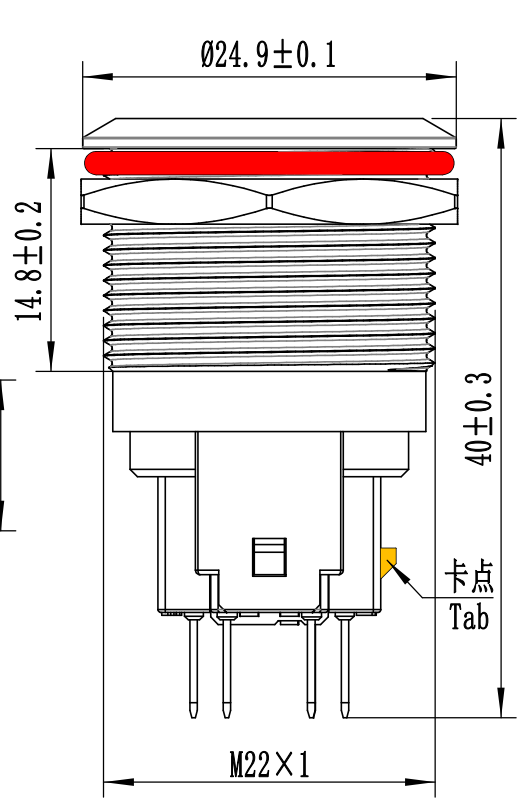
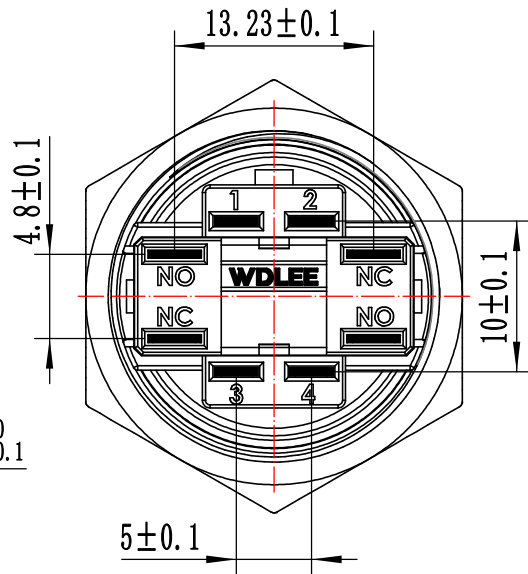
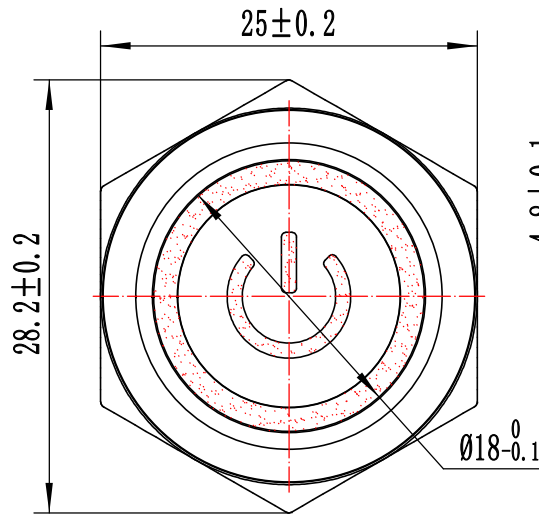


Authoritative Certification Quality Assurance

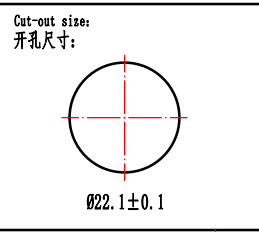
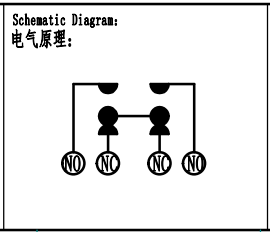
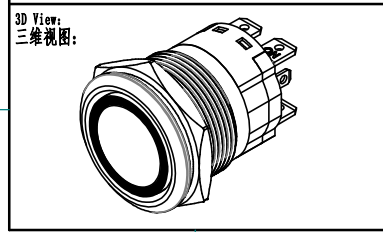
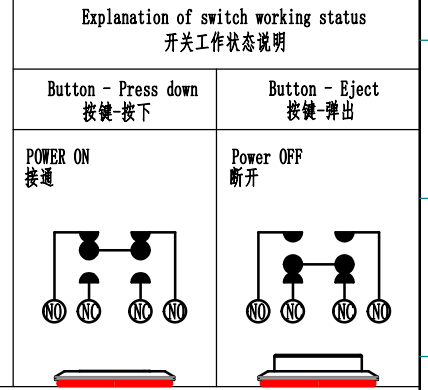




未经万度电气书面允许，严禁打印和复印



Mounting hole diameter 安装孔直径	22~22.2mm	Switch combinations 开关组合	1NO1NC (一常开一常闭)	Housing material 外壳材质	SUS304/Brass nickel-plated/aluminum alloy anodized SUS304/黄铜镀镍/铝合金阳极氧化	
Switching voltage 开关电压	1.5V~250VAC/DC	Lamp bead voltage 灯珠电压	AC/DC: 3.3V, 6V, 9V, 12V, 24V, 36V, 48V, 110V, 220V	Key Material 按键材质	PC&SUS316 聚碳&不锈钢SUS316	
Current rating: 额定电流:	Resistive loads 阻性负载	DC-13:12V/24V 10A AC-15:110V/250V 10A	Lamp bead current 灯珠电流	2mA~20mA	Contact material 触点材质	Silver tin oxide alloy contacts 银氧化锡合金触点
	Inductive loads 感性负载	AC-15:110V/250V 4A DC-13:110V 4A	PIN pin style PIN脚样式	Switch pin 3.5 x 0.5&LED pin 2.8 x 0.5 开关插针3.5×0.5&LED插针2.8×0.5	Electrical life 电气寿命	DC-13:12V/24V 10A >30,000 times AC-15:110V/250V 10A >3万次
Rated heating current 额定发热电流	ith: 10A/250VAC	Base material 基座材质	Modified nylon PA66 改性尼龙PA66	Contact resistance 接触阻值	Contact resistance ≤50mΩ	
Waterproof rating 防水等级	IP65 at the end of the button 按键端IP65	Dielectric strength 绝缘强度	≥100MΩ 500VDC /h	Press down on pressure 按键下压力	Approximately 2.5~4N 约2.5~4N	
Ambient temperature 环境温度	-30℃~85℃	Compressive strength 耐压强度	Pins and housings 2500VAC 20mA/min 引脚与外壳 2500VAC 20mA/min	Button travel 按键行程	The key stroke is 3mm and the contact stroke is 1.5mm 按键行程3mm 接触行程1.5mm	
Form of work 工作形式	Self-locking/self-resetting (optional) 自锁式/自复式 (可选)	Glowing color 发光颜色	Red, green, yellow, blue, white (Two-color, three-color, multi-color can be customized) 红、绿、黄、蓝、白(双色、三色、多色可定制)			



PART NAME: WD22ESeries Pushbutton Switch Datasheet
零件名称: WD22E系列按钮开关规格书

PART No.: WD22E-P11-EC-GGS01
零件编号:

WDLEE
Switch on worry-free

浙江万度电气有限公司
Zhejiang Wandu Electric Co., Ltd

MATERIAL: /
材料: /

SCALE: 2:1
比例:

SHEET: 5 OF 1
页数: 第 1 页 共 5 页

PART No.: /
料号: /

DRAWN: 彭翔翔 日期 2024.03.13
绘图:

CHECK: 彭翔翔 日期 2024.03.13
审核:

APPROVAL: 彭翔翔 日期 2024.03.13
批准:

VERISON: V0.0
版本:

WEIGHT(g): 10
重量:

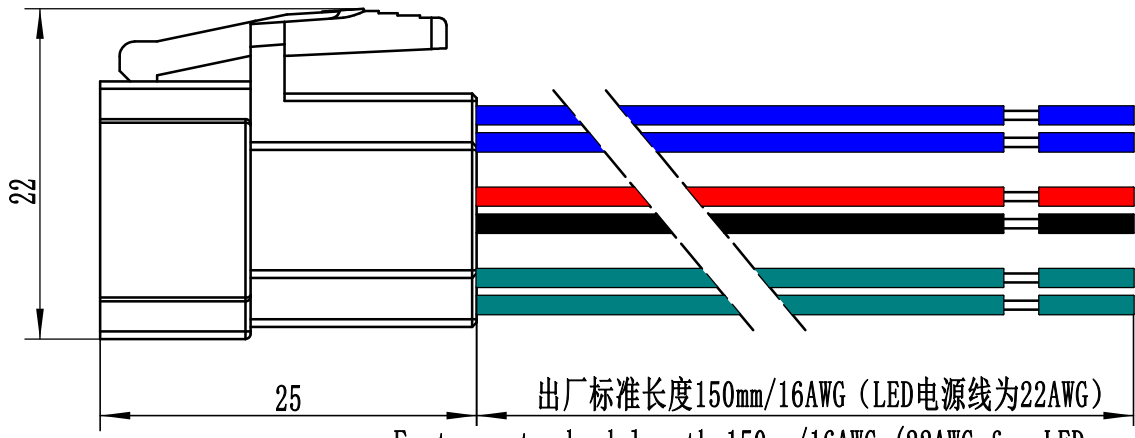
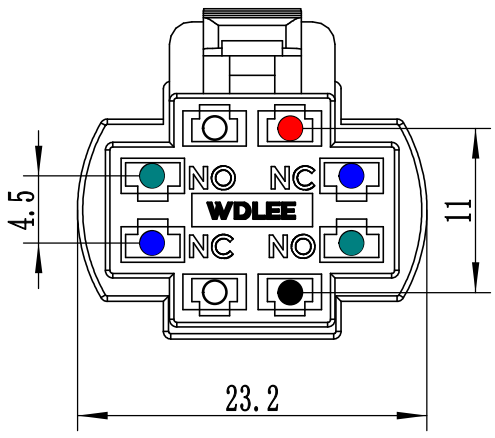
UNIT: mm
单位:

SIZE: A4
图幅:

PROJECTION:

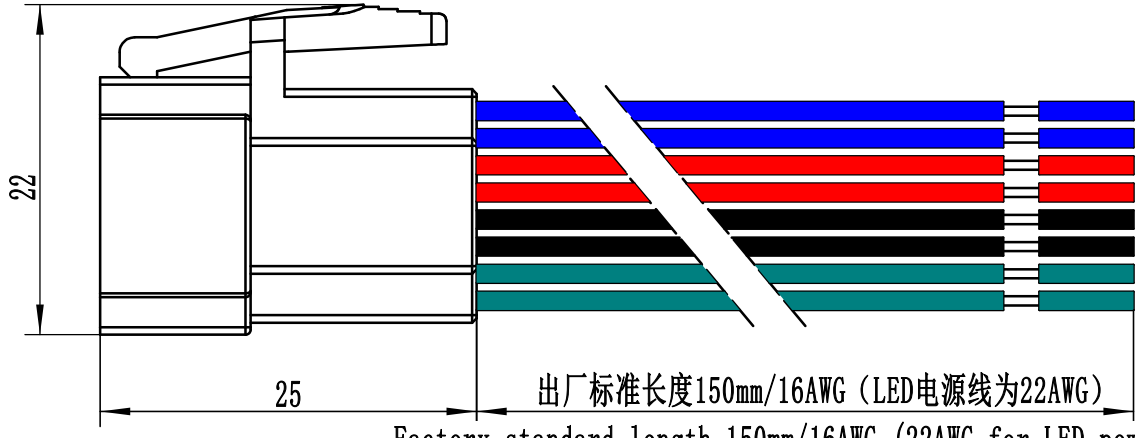
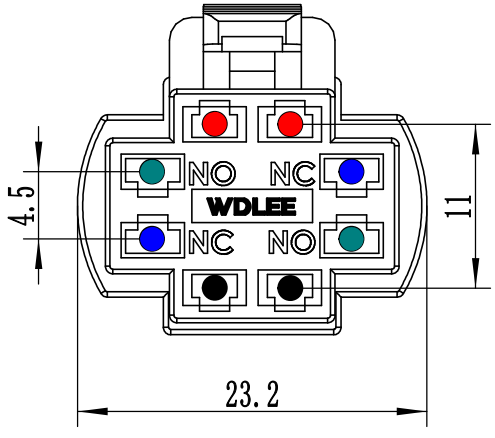
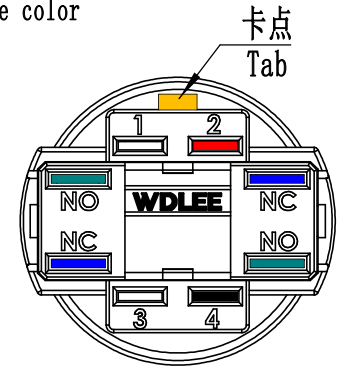


未经万度电气书面允许，严禁打印和复印



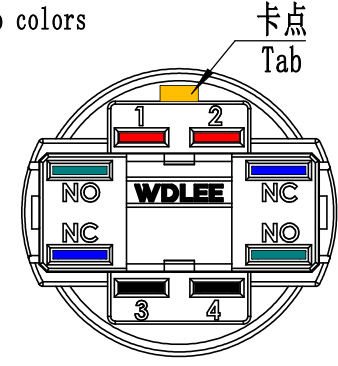
出厂标准长度150mm/16AWG (LED电源线为22AWG)
Factory standard length 150mm/16AWG (22AWG for LED power cord)

单色无极性
One color



出厂标准长度150mm/16AWG (LED电源线为22AWG)
Factory standard length 150mm/16AWG (22AWG for LED power cord)

双色无极性
Two colors

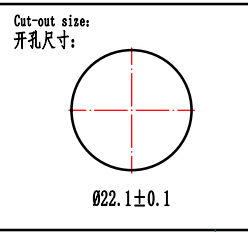
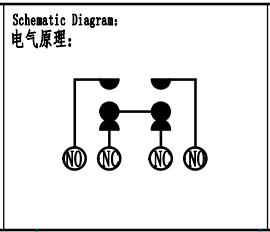
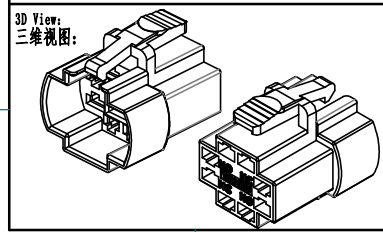
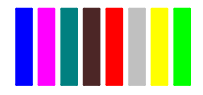


多种发光颜色可选 (双色、三色、多色可定制)
Multiple luminous colors available
(Two-color, three-color, multi-color can be customized)



客户可根据实际需求在线束末端定制连接端子
Customers can customize connection terminals at the end of the wire harness according to their actual needs.

客户可根据实际需求定制线材颜色
Customers can customize wire colors according to their actual needs.

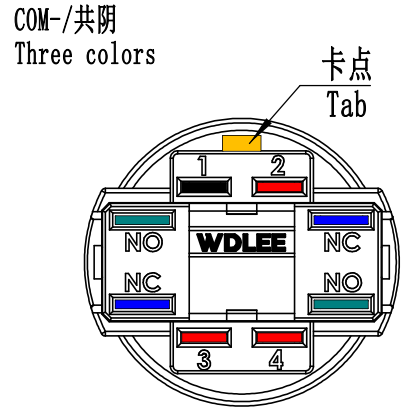
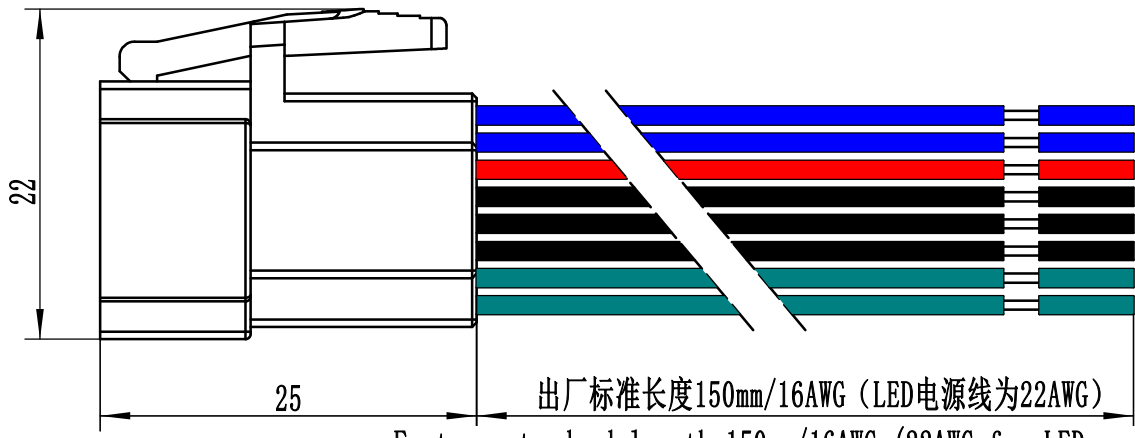
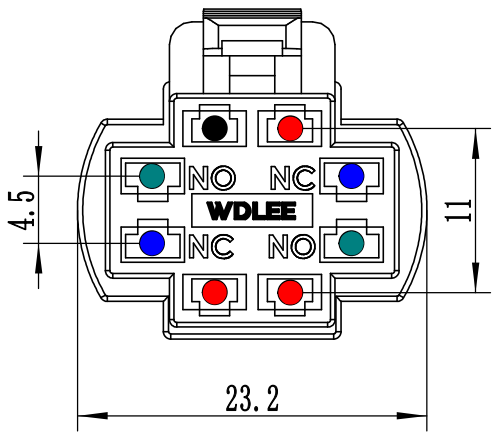


PART NAME:	WD22E Series Pushbutton Switch Datasheet
零件名称:	WD22E系列按钮开关规格书
PART No.:	WD22E-P11-E-GGS01
零件编号:	WD22E-P11-E-GGS01
浙江万度电气有限公司 Switch on worry-free Zhejiang Wandu Electric Co., Ltd	

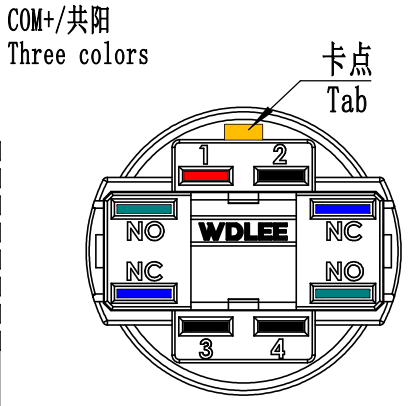
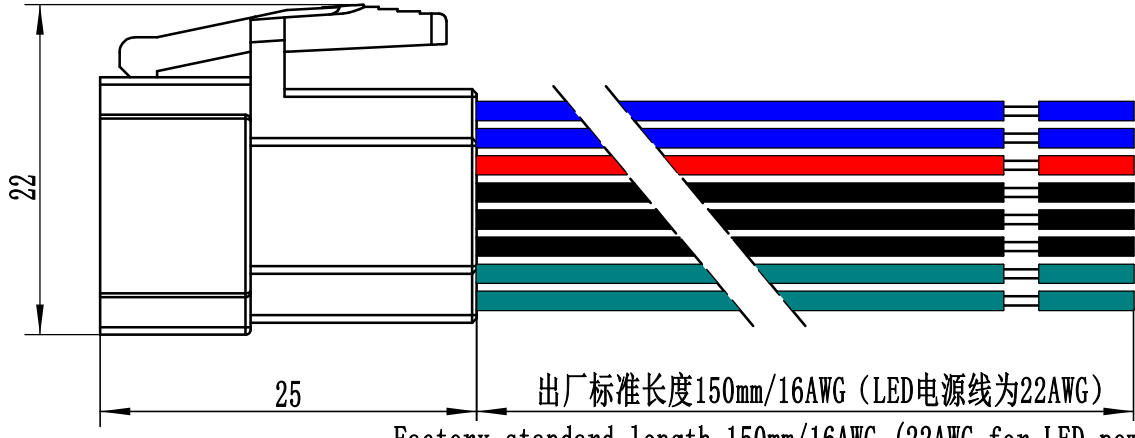
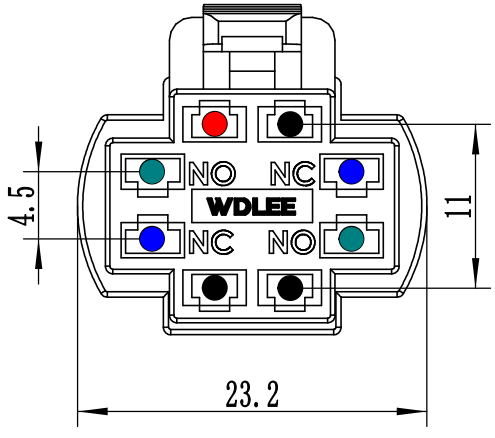
MATERIAL:	/
材料:	/
SCALE:	2:1
比例:	2:1
SHEET:	2 OF 5
页数:	第 2 页 共 5 页
PART No.:	/
料号:	/

DRAWN:	彭翔翔 日期 2024.02.29
绘图:	彭翔翔 日期 2024.02.29
CHECK:	彭翔翔 日期 2024.02.29
审核:	彭翔翔 日期 2024.02.29
APPROVAL:	彭翔翔 日期 2024.02.29
批准:	彭翔翔 日期 2024.02.29
VERISON:	V0.0
版本:	V0.0

WEIGHT(g):	10
重量:	10
UNIT:	mm
单位:	mm
SIZE:	A4
图幅:	A4
PROJECTION:	
投影:	



Factory standard length 150mm/16AWG (22AWG for LED power cord)



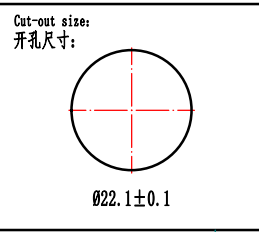
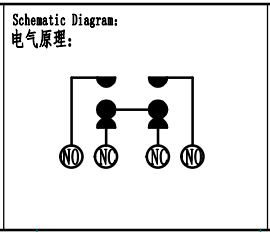
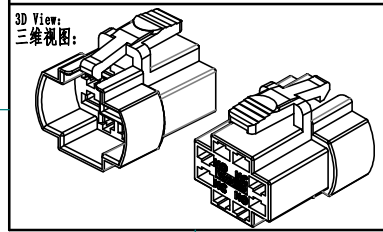
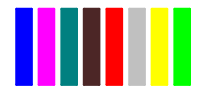
Factory standard length 150mm/16AWG (22AWG for LED power cord)

多种发光颜色可选 (双色、三色、多色可定制)
Multiple luminous colors available
(Two-color, three-color, multi-color can be customized)



客户可根据实际需求在线束末端定制连接端子
Customers can customize connection terminals at the end of the wire harness according to their actual needs.

客户可根据实际需求定制线材颜色
Customers can customize wire colors according to their actual needs.



PART NAME: 零件名称:	WD22E Series Pushbutton Switch Datasheet WD22E系列按钮开关规格书
PART No.:	WD22E-P11-E-GGS01
浙江万度电气有限公司 Zhejiang Wandu Electric Co., Ltd	

MATERIAL: 材料:	/
SCALE: 比例:	2:1
SHEET: 页数:	3 OF 5 第 3 页 共 5 页
PART No.:	/

DRAWN: 绘图:	彭翔翔 日期 2024.02.29
CHECK: 审核:	彭翔翔 日期 2024.02.29
APPROVAL: 批准:	彭翔翔 日期 2024.02.29
VERSION: 版本:	V0.0

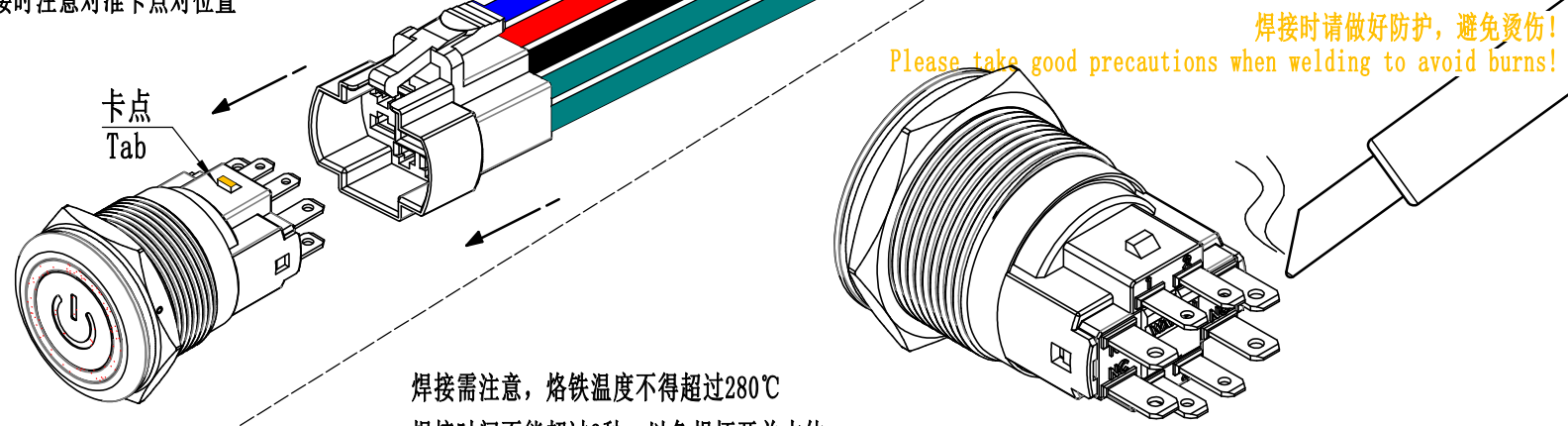
WEIGHT(g): 重量:	10
UNIT: 单位:	mm
SIZE: 图幅:	A4
PROJECTION: 投影:	



未经万度电气书面允许，严禁打印和复印

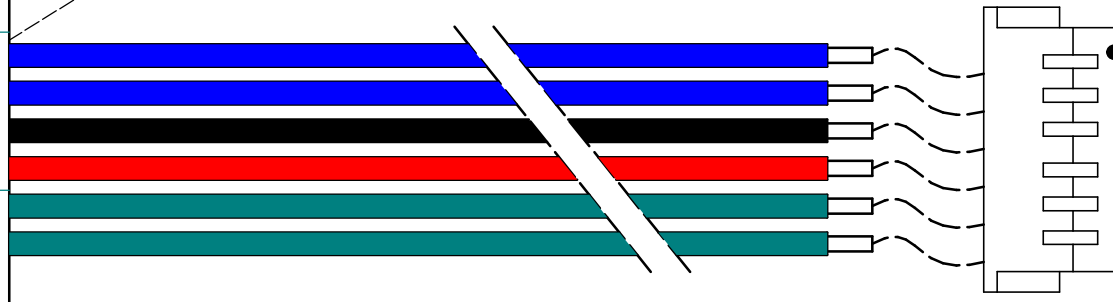
When connecting, pay attention to the alignment of the card point
连接时注意对准卡点对位置

卡点
Tab



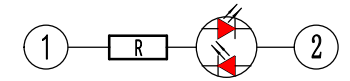
焊接需注意，烙铁温度不得超过280℃
焊接时间不能超过3秒，以免损坏开关本体。

Soldering should be noted that the temperature of the soldering iron should not exceed 280° C, and the soldering time should not exceed 3 seconds, so as not to damage the switch body.

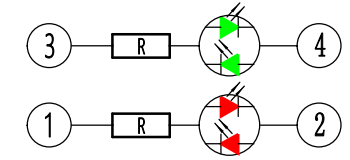


Description of the electrical schematic
电气原理图解析

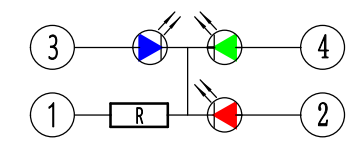
单色无极性 One color



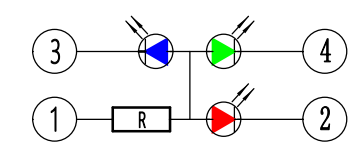
双色无极性 Two colors



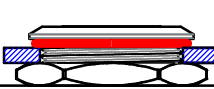
COM-/共阴 Three colors



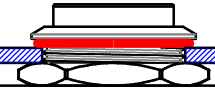
COM+/共阳 Three colors



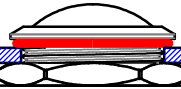
平头按键-代号: P
Flat head button - Code: P



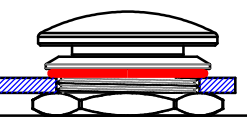
高头按键-代号: G
High-head button - Code: G



球头按键-代号: Q
Ball button - Code: Q



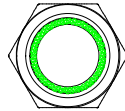
蘑菇头按键-代号: M
Mushroom head button - code: M



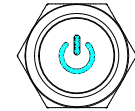
环形&电源标-代号: EC
Ring & Power Label - Codename: EC



环形-代号: E
Ring - Codename: E



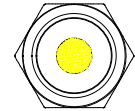
电源标-代号: C
Power Label - Codename: C



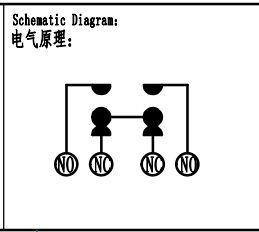
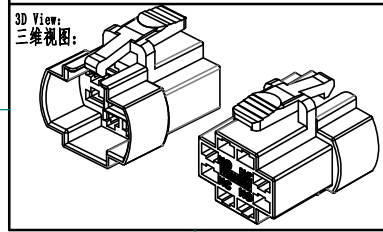
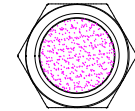
定制字符-代号: T
Custom character - Codename: T



圆点发光-代号: D
Dots glow - codename - D



整圆发光-代号: O
Overall luminescence: O



Cut-out size:
开孔尺寸:

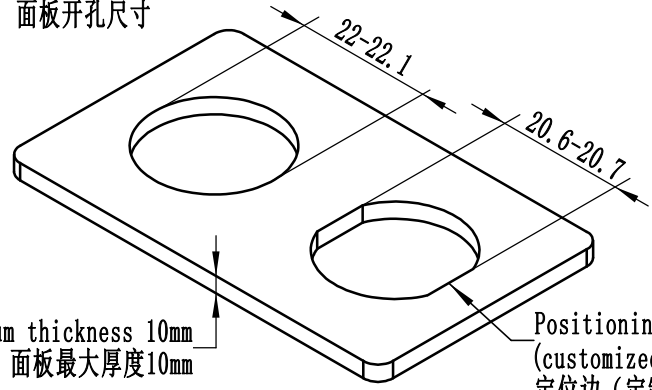
PART NAME: WD22E Series Pushbutton Switch Datasheet
零件名称: WD22E系列按钮开关规格书
PART No.: WD22E-P11-EC-GGS01
零件编号:
浙江万度电气有限公司
Zhejiang Wandu Electric Co., Ltd

MATERIAL: /
材料: /
SCALE: 2:1
比例:
SHEET: 4 OF 5
页数: 第 4 页 共 5 页
PART No.: /
料号:

DRAWN: 彭翔翔 日期 2024.02.29
绘图:
CHECK: 彭翔翔 日期 2024.02.29
审核:
APPROVAL: 彭翔翔 日期 2024.02.29
批准:
VERISON: V0.0
版本:

WEIGHT(g): 10
重量:
UNIT: mm
单位:
SIZE: A4
图幅:
PROJECTION: 投影:

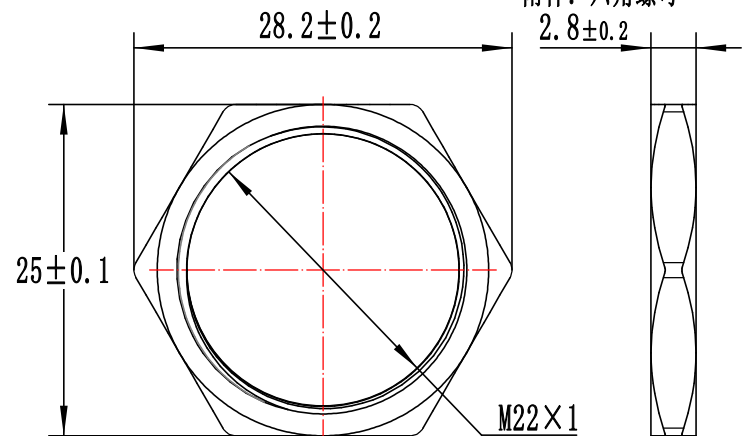
Panel opening size
面板开孔尺寸



Maximum thickness 10mm
面板最大厚度10mm

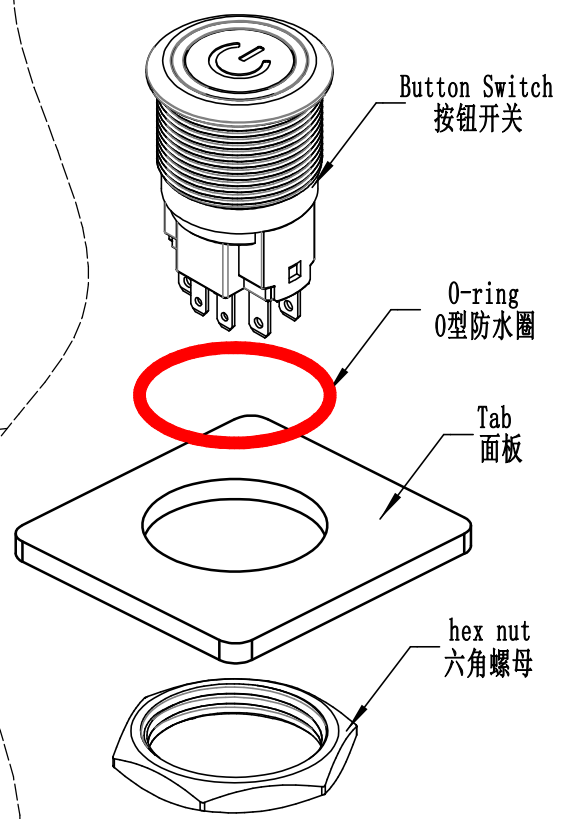
Positioning edge
(customized)
定位边 (定制)

Attachment: Hexagonal Nut
附件: 六角螺母



The proportion in the diagram is not equal to the actual object
图示比例不等于实物

Installation method diagram
安装方法示意图



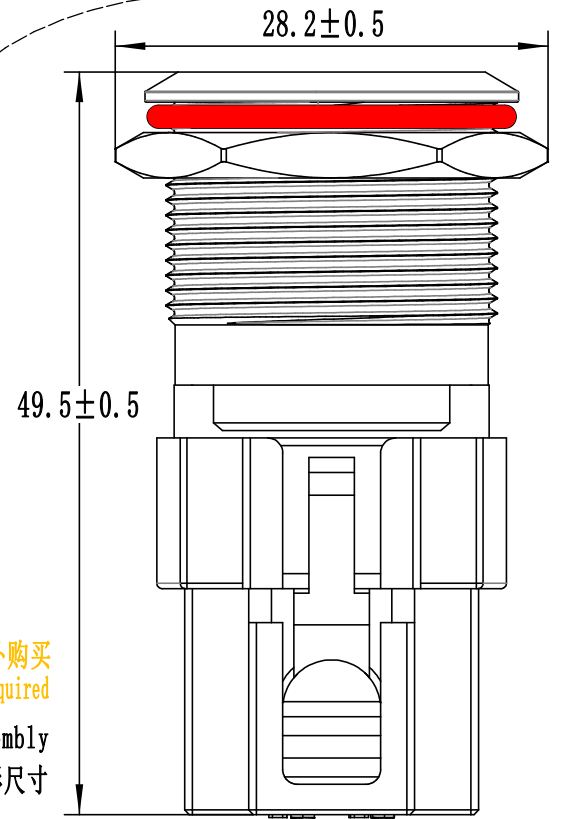
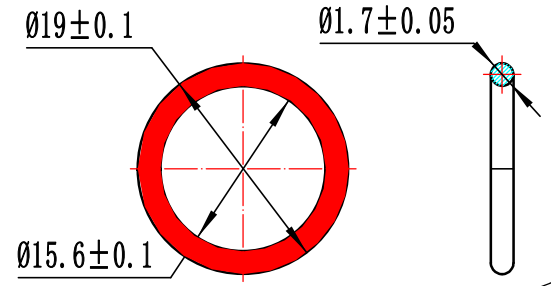
Button Switch
按钮开关

O-ring
O型防水圈

Tab
面板

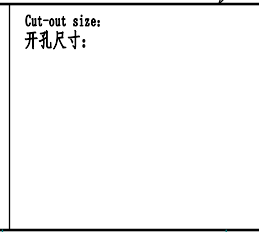
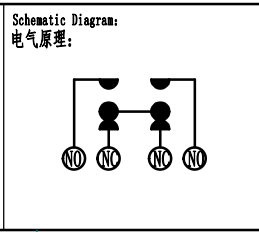
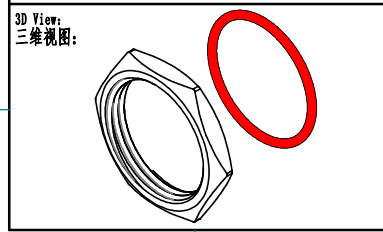
hex nut
六角螺母

Attachment: O-shaped silicone waterproof ring
附件: O型硅胶防水圈



插座配件需额外购买
Additional purchase of socket accessories is required

External dimensions of switch and socket assembly
开关与插座组装外形尺寸



PART NAME: 零件名称:	WD22E Series Pushbutton Switch Datasheet WD22E系列按钮开关规格书	MATERIAL: 材料:	/	DRAWN: 绘图:	彭翔翔 日期 2024.02.29	WEIGHT(g): 重量:	10
PART No.:	零件编号:	SCALE:	2:1	CHECK: 审核:	彭翔翔 日期 2024.02.29	UNIT: 单位:	mm
浙江万度电气有限公司 Zhejiang Wandu Electric Co., Ltd		SHEET: 页数:	5 OF 5 第 5 页 共 5 页	APPROVAL: 批准:	彭翔翔 日期 2024.02.29	SIZE: 图幅:	A4
		PART No.:	料号:	VERISON: 版本:	V0.0	PROJECTION: 投影:	

PART No.:	料号:	VERISON: 版本:	V0.0
-----------	-----	-----------------	------

PROJECTION: 投影:	
--------------------	--