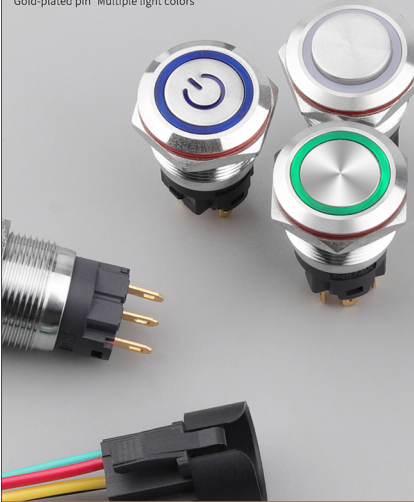


## WD-19A series Metal button switch

1NO1NC function



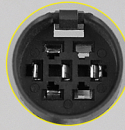
Gold-plated pin Multiple light colors



## Can be paired with Dedicated connectors Make wiring easier

Eliminating tedious welding process  
Make wiring safe and simple

Connect quickly one step



Internal display

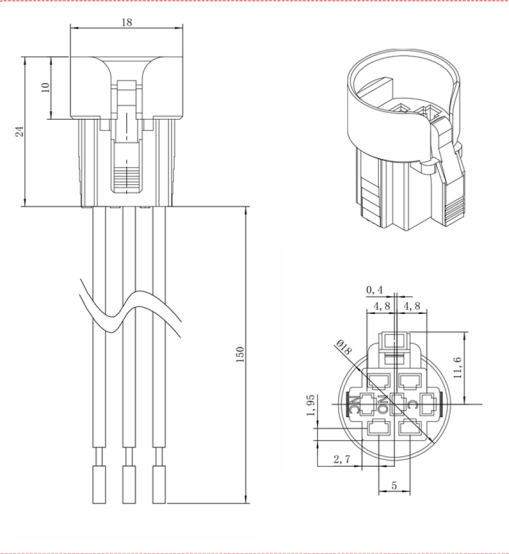
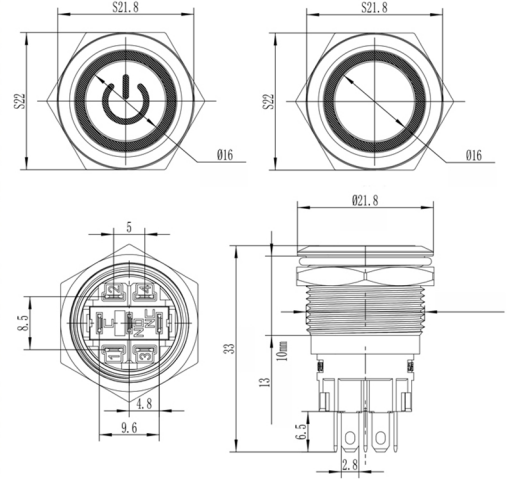


Tail display

Wire: 20AWG brass tin plated

## Product parameters and dimensions

Switching Voltage	1.5V~250V/AC/DC
Working form	Self resetting/self locking
Switch combination	1NO1NC
Mechanical life	Self locking 25W times, self resetting 50W times
Compressive strength	1900VACmin
Switching Current	5A
Work environment	-30°C~+80°C
Waterproof grade	IP67
Contact resistance	≤50MΩ
Opening diameter	19MM



WATERPROOF  
AND DUSTPROOF



HIGH QUALITY  
SERVICE



QUALITY  
ASSURANCE

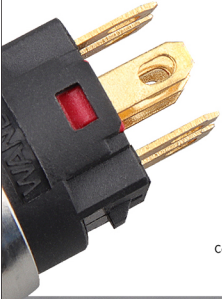
## Efficient waterproof up to IP67

After rigorous testing, the waterproof performance is strong



## Gilded foot

Better conductivity  
and longer lifespan



PA66 flame-retardant base  
Thermal insulation and high  
temperature resistance



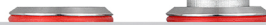
Corresponding foot letters/numbers  
More recognizable

## Multiple heads and high/flat heads

We have everything you want

Flat head style

High head style



Ring power beacon light

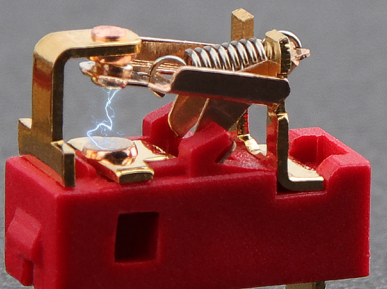
Glow in a circular circle

Power beacon light



## Increase and thicken Silver contacts

Not easily oxidized, resistant to high  
Temperature and corrosion



## Authoritative Certification Quality Assurance



SGS

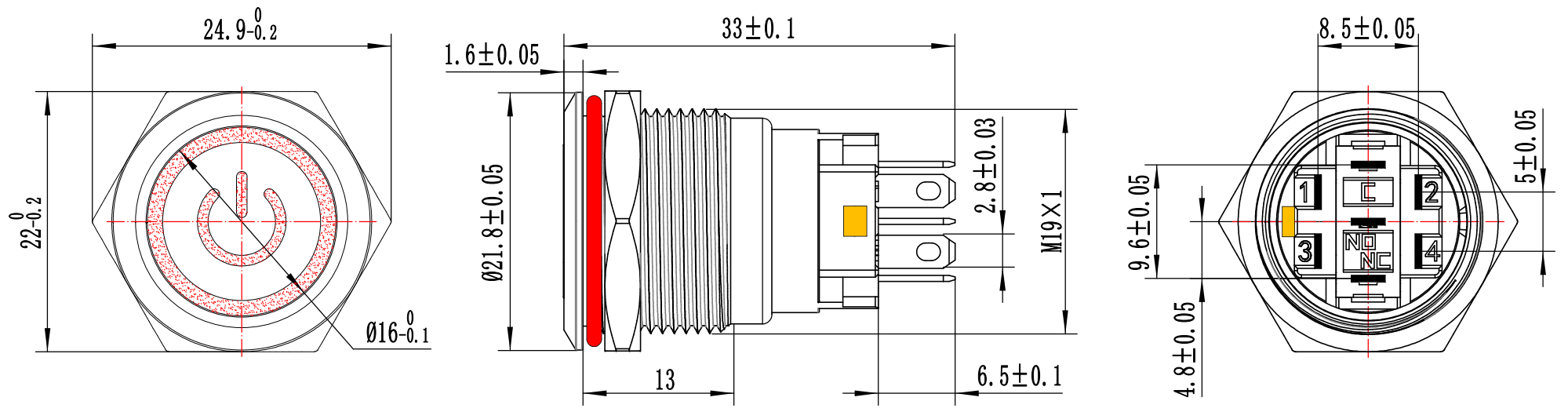
CE

CCC

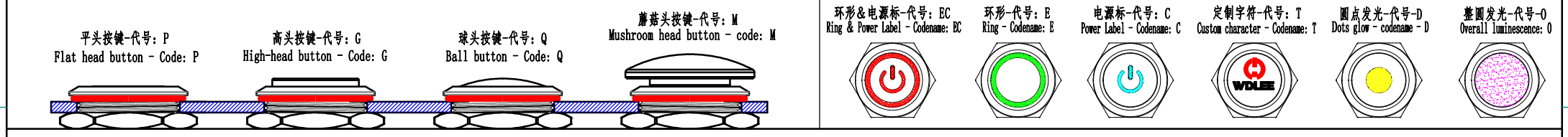
TÜV Rheinland



未经万度电气书面允许，严禁打印和复印

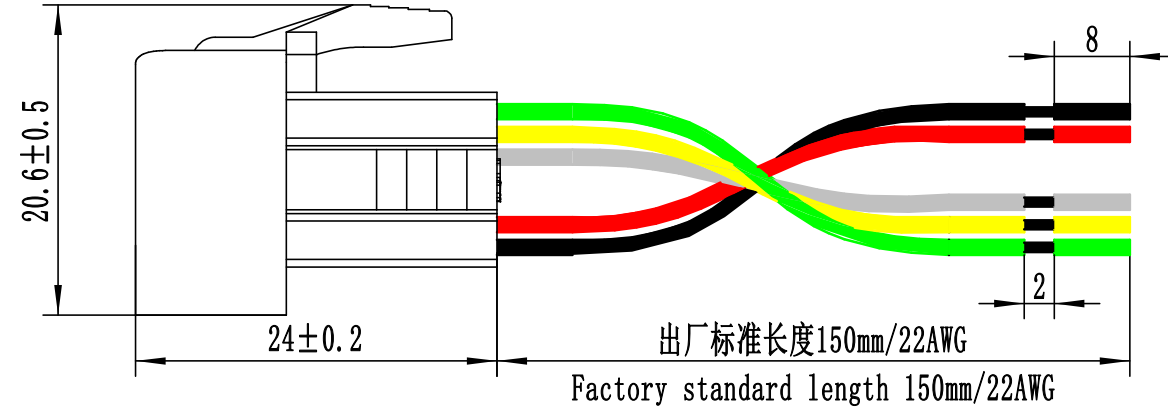
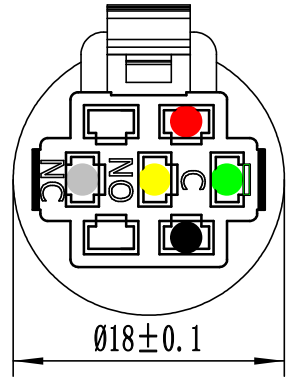


Mounting hole diameter 安装孔直径	19~19.2mm	Switch combinations 开关组合	1NO1NC (一常开一常闭)	Housing material 外壳材质	SUS304/Brass nickel-plated/aluminum alloy anodized SUS304/黄铜镀镍/铝合金阳极氧化		
Switching voltage 开关电压	1.5V~250VAC/DC	Lamp bead voltage 灯珠电压	AC/DC: 3.3V, 6V, 9V, 12V, 24V, 36V, 48V, 110V, 220V	Key Material 按键材质	PC&SUS316 聚碳 & 不锈钢SUS316		
Current rating: 额定电流:	Resistive loads 阻性负载	DC-13:12V/24V 5A AC-15:110V/250V 5A	Lamp bead current 灯珠电流	2mA~20mA	Contact material 触点材质		Silver tin oxide alloy contacts 银氧化锡合金触点
	Inductive loads 感性负载	AC-15:110V/250V 1.5A DC-13:110V 1.5A	PIN pin style PIN脚样式	2.8mm Solder pins 2.8mm 焊接引脚	Electrical life 电气寿命		DC-13:12V/24V 5A >100,000 times AC-15:110V/220V 5A >10万次
Rated heating current 额定发热电流	ith: 5A/250VAC		Base material 基座材质	Modified nylon PA66 改性尼龙PA66	Contact resistance 接触阻值		Contact resistance ≤50mΩ
Waterproof rating 防水等级	IP67 at the end of the button 按键端IP67		Dielectric strength 绝缘强度	≥100MΩ 500VDC /h	Press down on pressure 按键下压力		Approximately 2.5~4N 约2.5~4N
Ambient temperature 环境温度	-30℃~85℃		Compressive strength 耐压强度	Pins and housings 2500VAC 20mA/min 引脚与外壳 2500VAC 20mA/min	Button travel 按键行程		The key stroke is 3mm and the contact stroke is 1.5mm 按键行程3mm 接触行程1.5mm
Form of work 工作形式	Self-locking/self-resetting (optional) 自锁式/自复式 (可选)		Glowing color 发光颜色	Red, green, yellow, blue, white (two-color, three-color glow can be customized) 红、绿、黄、蓝、白(可定制双色、三色发光)			

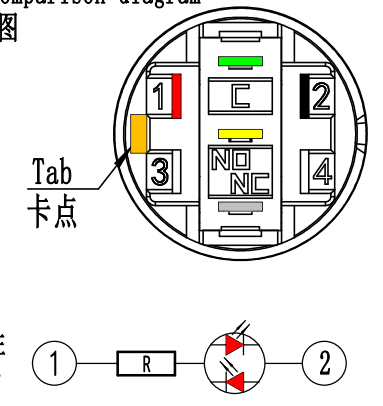


3D View: 三维视图:	Schematic Diagram: 电气原理:	Cut-out size: 开孔尺寸:	PART NAME: 零件名称:	MATERIAL: 材料:	DRAWN: 绘图:	WEIGHT(g): 重量:
			WD19A Series Lighted Pushbutton Switch Datasheet WD19A系列带灯按钮开关规格书	/	彭翔翔 日期 2024.02.29	10
			PART No.: 零件编号:	SCALE: 比例:	CHECK: 审核:	UNIT: 单位:
			WD19A-P11-EC-GGS01	2:1	彭翔翔 日期 2024.02.29	mm
				SHEET: 页数:	APPROVAL: 批准:	SIZE: 图幅:
				1 OF 1 第 1 页 共 1 页	彭翔翔 日期 2024.02.29	A4
			PART No.: 料号:	VERISON: 版本:	PROJECTION: 投影:	
			/	V2024.01		

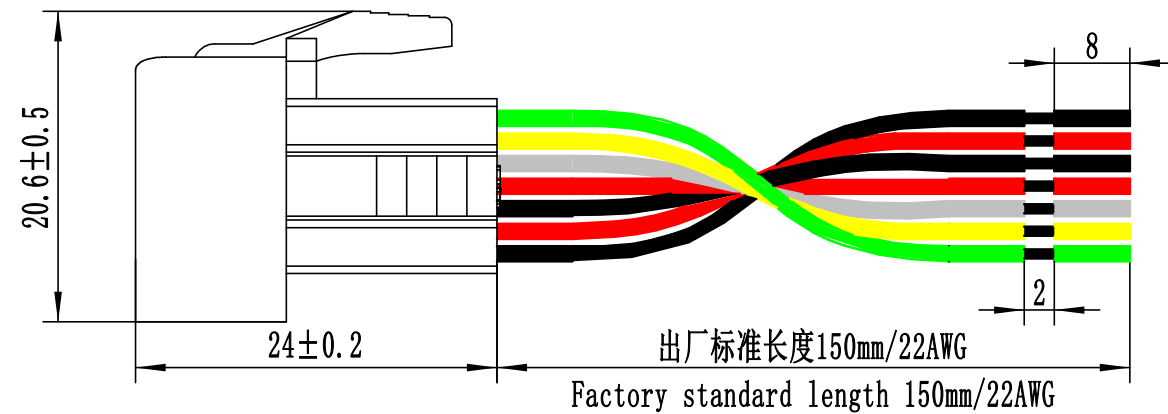
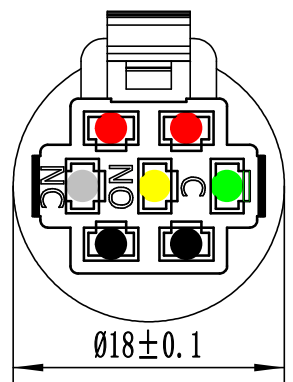
浙江万度电气有限公司  
Switch on worry-free Zhejiang Wandu Electric Co., Ltd



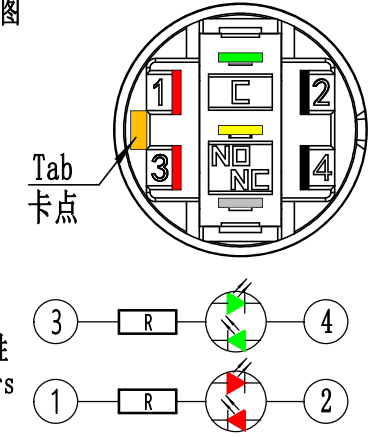
PIN pin comparison diagram  
PIN脚对照图



单色无极性  
One color



PIN pin comparison diagram  
PIN脚对照图



双色无极性  
Two colors



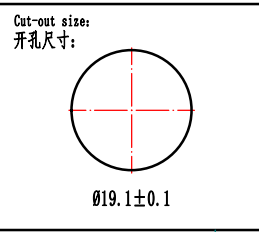
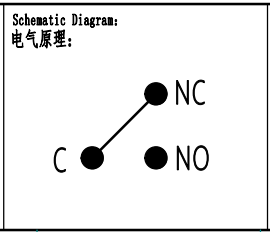
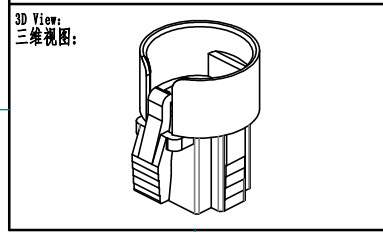
接线时请参考规格书，带电作业请做好绝缘防护！  
Please refer to the specifications when wiring, and do insulation protection when working with electricity!

多种发光颜色可选（双色、三色、多彩可定制）  
Multiple luminous colors available  
(dual color, tri color, and multi-color customizable)



客户可根据实际需求在线束末端定制连接端子  
Customers can customize connection terminals at the end of the wire harness according to their actual needs.

客户可根据实际需求定制线材颜色  
Customers can customize wire colors according to their actual needs.

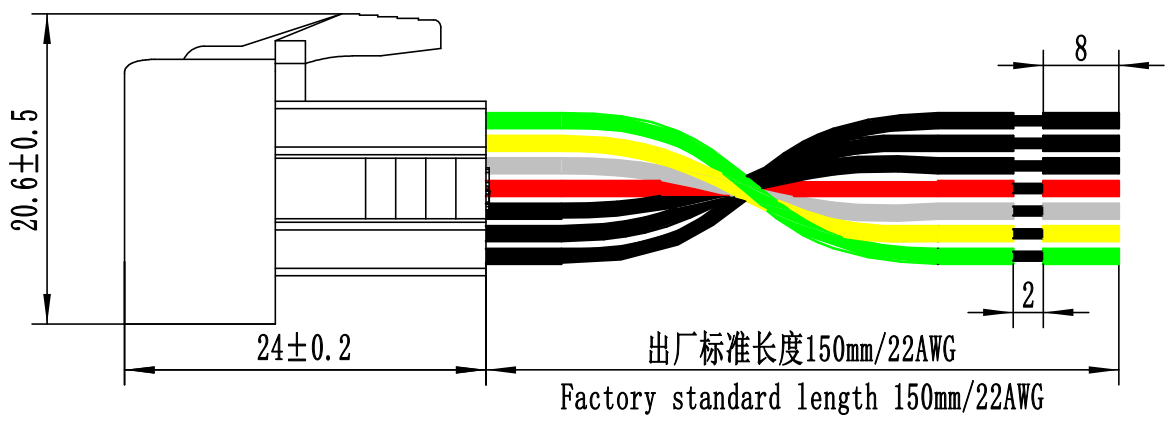
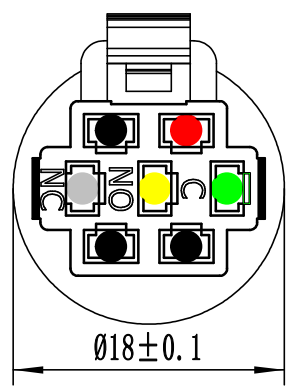


PART NAME: 零件名称:	WD19A Series Lighted Pushbutton Switch Datasheet WD19A系列带灯按钮开关规格书
PART No.:	WD19A-P11-EC-GGS01
浙江万度电气有限公司 Switch on worry-free Zhejiang Wandu Electric Co., Ltd	

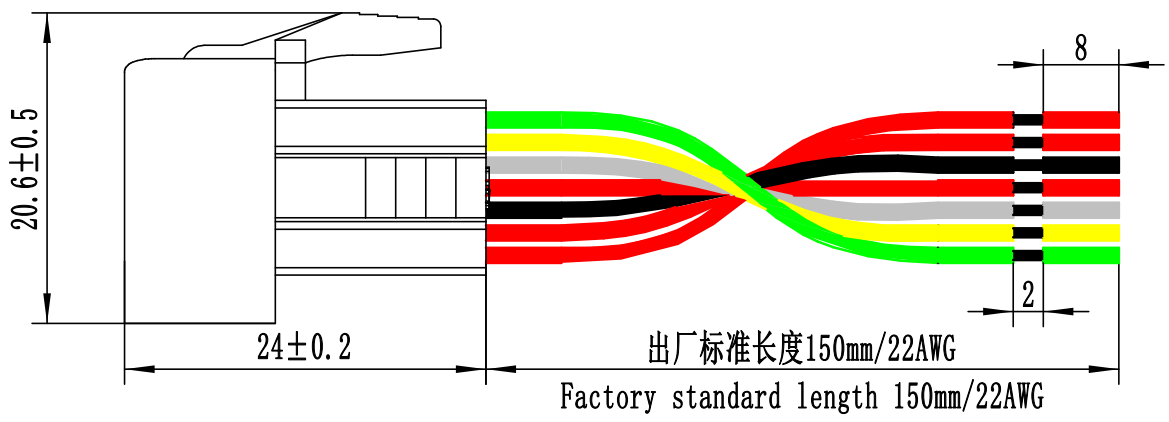
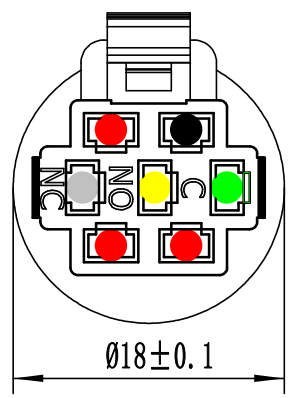
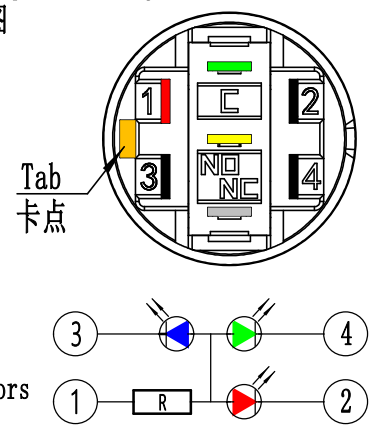
MATERIAL: 材料:	/
SCALE: 比例:	2:1
SHEET: 页数:	4 OF 2 第 2 页 共 4 页
PART No.:	/

DRAWN: 绘图:	彭翔翔 日期 2024.02.29
CHECK: 审核:	彭翔翔 日期 2024.02.29
APPROVAL: 批准:	彭翔翔 日期 2024.02.29
VERSION: 版本:	V0.0

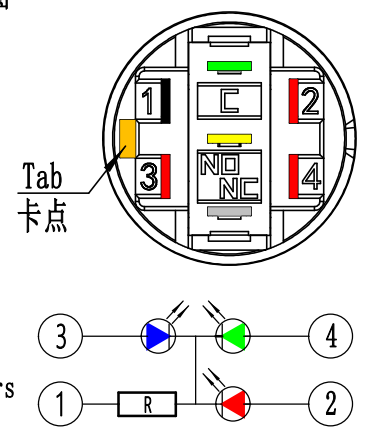
WEIGHT(g): 重量:	10
UNIT: 单位:	mm
SIZE: 图幅:	A4
PROJECTION: 投影:	



PIN pin comparison diagram  
PIN脚对照图



PIN pin comparison diagram  
PIN脚对照图



接线时请参考规格书，带电作业请做好绝缘防护！  
Please refer to the specifications when wiring, and do insulation protection when working with electricity!

多种发光颜色可选（双色、三色、多彩可定制）  
Multiple luminous colors available  
(dual color, tri color, and multi-color customizable)



客户可根据实际需求在线束末端定制连接端子  
Customers can customize connection terminals  
at the end of the wire harness according to their actual needs

客户可根据实际需求定制线材颜色  
Customers can customize wire colors according to their actual needs

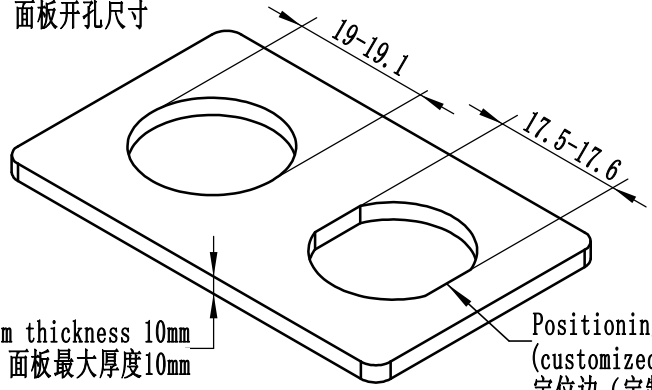


<p>3D View: 三维视图:</p>	<p>Schematic Diagram: 电气原理:</p>	<p>Cut-out size: 开孔尺寸:</p> <p>Ø19.1±0.1</p>	<p>PART NAME: WD19A Series Lighted Pushbutton Switch Datasheet 零件名称: WD19A系列带灯按钮开关规格书</p> <p>PART No.: WD19A-P11-EC-GGS01 零件编号:</p> <p> 浙江万度电气有限公司 Switch on worry-free Zhejiang Wandu Electric Co., Ltd</p>	<p>MATERIAL: / 材料: /</p> <p>SCALE: 2:1 比例:</p> <p>SHEET: 4 OF 3 页数: 第 3 页 共 4 页</p> <p>PART No.: / 料号:</p>	<p>DRAWN: 彭翔翔 日期 2024.02.29 绘图:</p> <p>CHECK: 彭翔翔 日期 2024.02.29 审核:</p> <p>APPROVAL: 彭翔翔 日期 2024.02.29 批准:</p> <p>VERISON: V0.0 版本:</p>	<p>WEIGHT(g): 10 重量:</p> <p>UNIT: mm 单位:</p> <p>SIZE: A4 图幅:</p> <p>PROJECTION: </p>
---------------------------	-------------------------------------	---	--	--	---	--



未经万度电气书面允许，严禁打印和复印

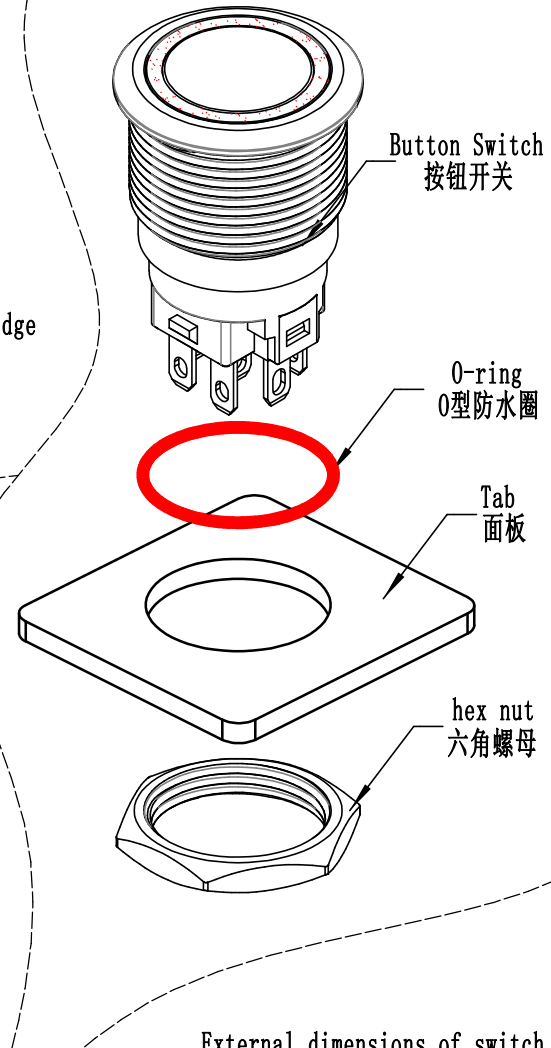
Panel opening size  
面板开孔尺寸



Maximum thickness 10mm  
面板最大厚度10mm

Positioning edge  
(customized)  
定位边 (定制)

Installation method diagram  
安装方法示意图



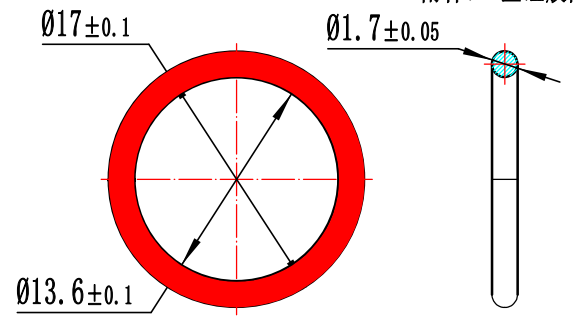
Button Switch  
按钮开关

O-ring  
O型防水圈

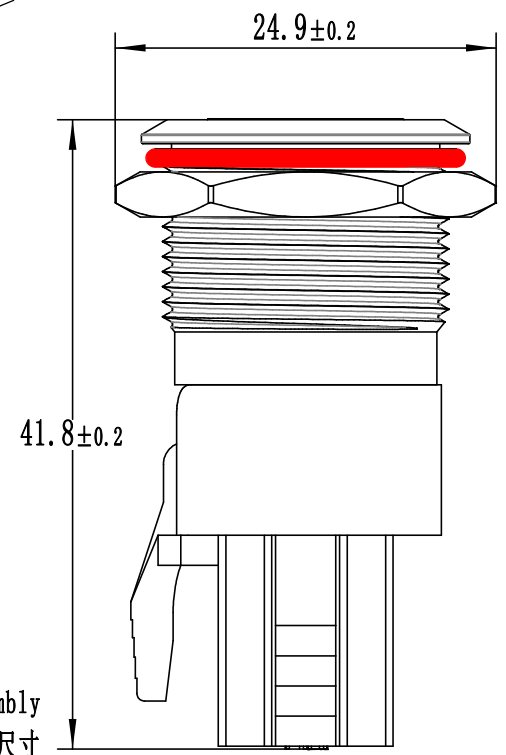
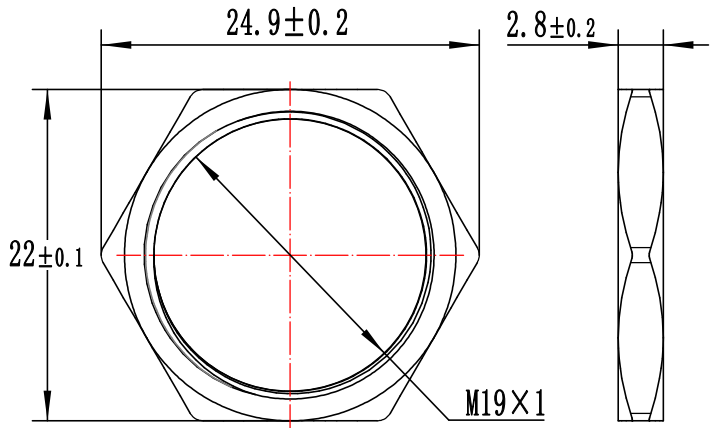
Tab  
面板

hex nut  
六角螺母

Attachment: O-shaped silicone waterproof ring  
附件: O型硅胶防水圈

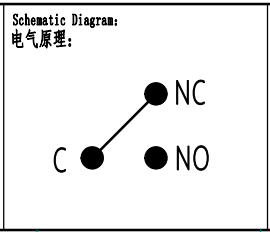
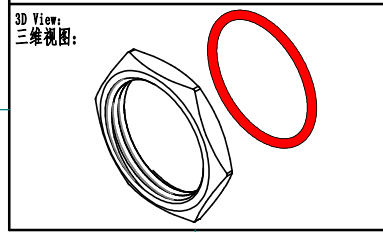


Attachment: Hexagonal Nut  
附件: 六角螺母



External dimensions of switch and socket assembly  
开关与插座组装外形尺寸

The proportion in the diagram is not equal to the actual object  
图示比例不等于实物



Cut-out size:  
开孔尺寸:

PART NAME: 零件名称:	WD19A Series Lighted Pushbutton Switch Datasheet WD19A系列带灯按钮开关规格书
PART No. : 零件编号:	WD19A-P11-EC-GGS01
<b>浙江万度电气有限公司</b> Switch on worry-free Zhejiang Wandu Electric Co., Ltd	

MATERIAL: 材料:	/
SCALE: 比例:	2:1
SHEET: 页数:	4 OF 4 第 4 页 共 4 页
PART No. : 料号:	/

DRAWN: 绘图:	彭翔翔 日期 2024.02.29
CHECK: 审核:	彭翔翔 日期 2024.02.29
APPROVAL: 批准:	彭翔翔 日期 2024.02.29
VERISON: 版本:	V0.0

WEIGHT(g): 重量:	10
UNIT: 单位:	mm
SIZE: 图幅:	A4
PROJECTION: 投影:	