

# ***motoRobot.com***

## **Parameter description** **16D**



# **Metal**

## **power switch button**

## Parameter Description

### Electrical parameters

<b>power level(silvering):</b>	10A
<b>LED voltage:</b>	3~220V
<b>LED current:</b>	1.5mA~20mA
<b>LED light color:</b>	red, yellow, blue, green, white

### Other Ratings

<b>Contact Resistance:</b>	The contact is made of silver alloy, and the maximum resistance is 50m Ω; The maximum value of gold plating of contact material is 30m Ω
<b>Insulation Resistance:</b>	200 megohms minimum @ 500V DC
<b>Dielectric Strength:</b>	1,900V AC minimum between contacts for 1 minute minimum
<b>Mechanical Life:</b>	Self reset type / more than 500000 times Self locking type / more than 250000 times
<b>Electrical Life:</b>	250,000 operations minimum
<b>Nominal Operating Force:</b>	Approx.: 1.5N
<b>Contact Type:</b>	1NO
<b>Travel:</b>	LED lights20AWG、 control terminal16AWG The length of the cable is 150mm (the cable length can be customized)

### Materials & Finishes

<b>Button:</b>	SUS304 Stainless Steel
<b>shell:</b>	SUS304 Stainless Steel
<b>Base:</b>	Pa66
<b>Movable Contactor:</b>	Silver-plated brass
<b>Static contact pin:</b>	Silver-plated brass
<b>Active rod:</b>	PA66
<b>Compression spring:</b>	SUS304
<b>Wire:</b>	20AWG

### Environmental Data

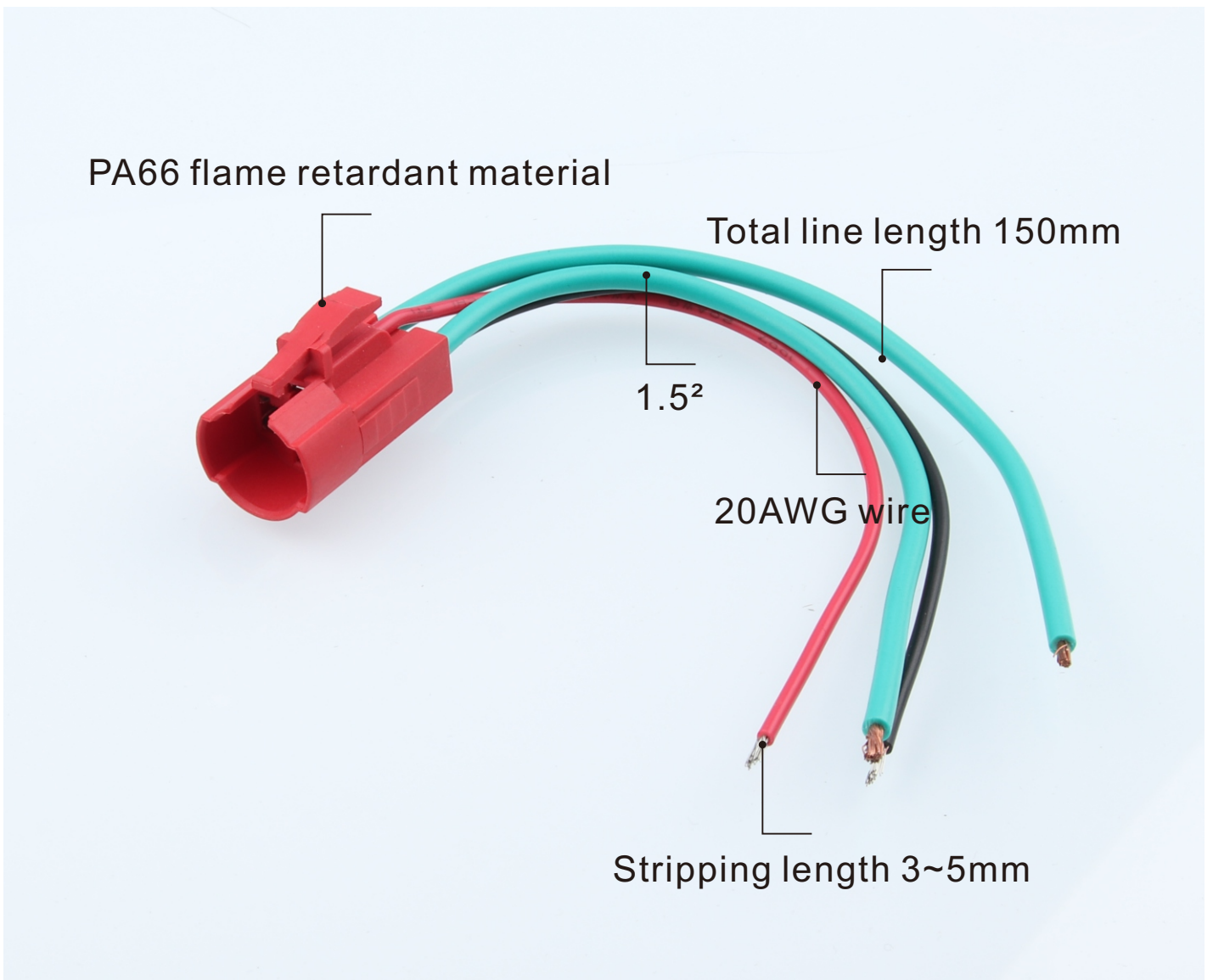
<b>Operating Temperature Range:</b>	-30°C through+85°C
<b>Humidity:</b>	90~95% humidity for 240 hours @ 40°C
<b>Vibration:</b>	10~55Hz with peak-to-peak amplitude of 1.5mm traversing the frequency range & returning in 1 minute; 3 right angled directions for 2 hours
<b>Sealing:</b>	Ip66

### Installation

<b>Installation aperture:</b>	16mm
<b>Soldering Time &amp; Temperature:</b>	The welding time is 3 seconds and the welding temperature is not higher than 280 °C

# 16D

Standard model illustration example  
Switch configuration and accessories



# Size and material application

16D-G1  
16D-P1

16D-P1 -EC

16D-P1-C  
16D-G1-C

16D-P1-E  
16D-G1-E

