

120W □90mm

○ Motor Type and Specification

Type above: wire below: connecting box	output power W	Voltage VAC	Freq Hz	Rated Current A	Starting Torque mN.m	Rated Torque mN.m	Rated Speed r/min	Capacitor μF/V
YN90-110-120NADJ	120	Single Phase 110V	50	1.90	590	880	1300	32
YN90-110-120NBDJ			60	1.96	540	720	1600	28
YN90-220-120NADJ		Single Phase 220V	50	0.95	590	880	1300	8
YN90-220-120NBDJ			60	0.98	540	720	1600	7
Y90-220-120NDJ		Three Phase 220V	50	0.73	2600	930	1300	/
			60	0.62	2080	740	1600	/
Y90-380-120NDJ		Three Phase 380v	50	0.43	2600	930	1300	/
			60	0.36	2080	740	1600	/

○ Allowed torque after assembly gearbox

Ratio	5	6	7.5	9	10	12.5	15	18	20	25	30	36	40	50	60	75	90	100	120	150	180	200	
50HZ	Speed r/min	260	217	173	144	130	104	87	72	65	52	43	36	33	26	22	17	14	13.0	10.8	8.7	7.2	6.5
	Allowed Torque N.m	3.21	3.85	4.82	5.78	6.42	8.03	9.64	11.6	12.8	16.1	19.3	23.1	25.7	30.0	30.0	30.0	30.0	30.0	30.0	30.0	30.0	30.0
60HZ	Speed r/min	320	267	213	178	160	128	107	89	80	64	53	44	40	32	27	21	18	16.0	13.3	10.7	8.9	8.0
	Allowed Torque N.m	2.63	3.15	3.94	4.73	5.26	6.57	7.88	9.46	10.5	13.1	15.8	18.9	21.0	26.3	30.0	30.0	30.0	30.0	30.0	30.0	30.0	30.0

- Above Speed is baed on (50Hz:1300r/mim;60Hz:1600r/mim) as standard,and the with different ratio to get data. Actua speed is changable with different rated torque, Usually should be above speed's 80%-98%
- Gearbox's biggest allowed torque is 30N.m

120W □90mm

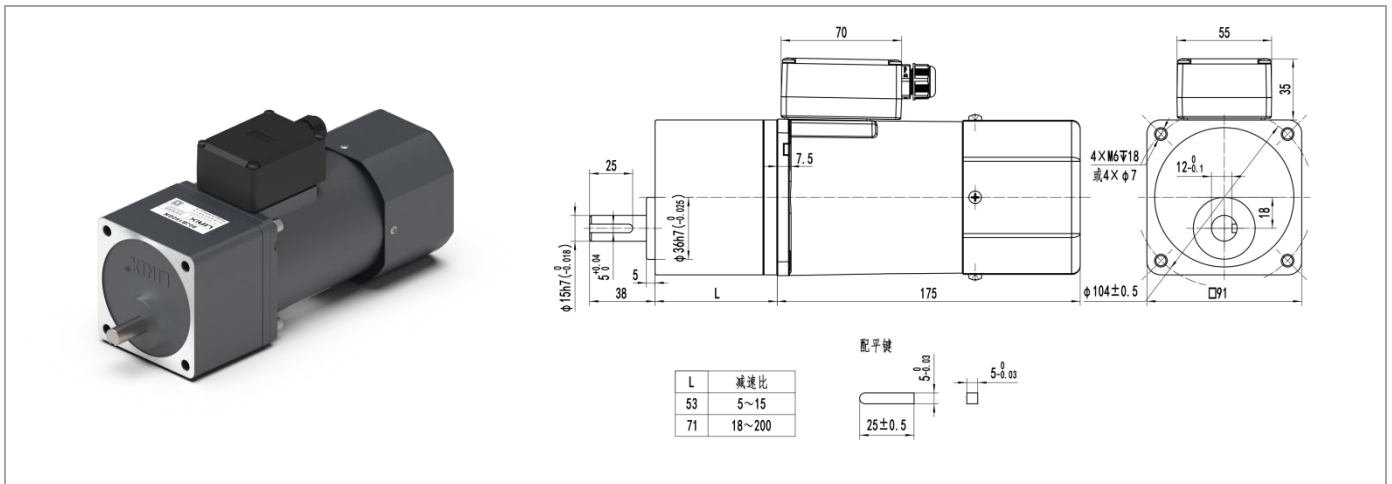
○ Allowed radial/Axial loaded torque

○ Wire connection

See above page○

Outline Dimension

Motor+Gearbox+Terminal box



Motor+Right Angle hollow shaft gearbox+Wire connecting box

